

TABLE OF CONTENTS

SEALMASTER *Gold Bearing Products...*

SEALMASTER Gold Mounted Ball Bearings...

"Good As Gold...No Equal!"

Standard Products Pages 8-84

Featured Products Pages 86-93



SEALMASTER Mounted Roller Bearings...

"Tough As They Come!"

See Pages 94-127

Ball and Roller Application Problem Solvers...See Pages 129-143



SEALMASTER Rod Ends and Spherical Bearings...

"Sealmaster, Ask For Them By Name!"

See Pages 144-175

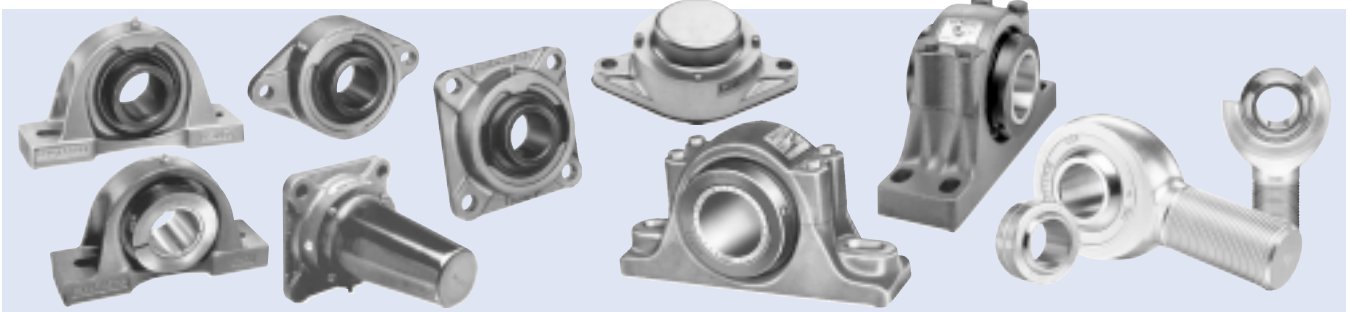


Engineering and Installation...

See Pages 176-207

Catalog Index, See Pages 208-210

Standard Terms and Conditions Inside Back Cover



SEALMASTER® GOLD LINE PRODUCT OFFERING...

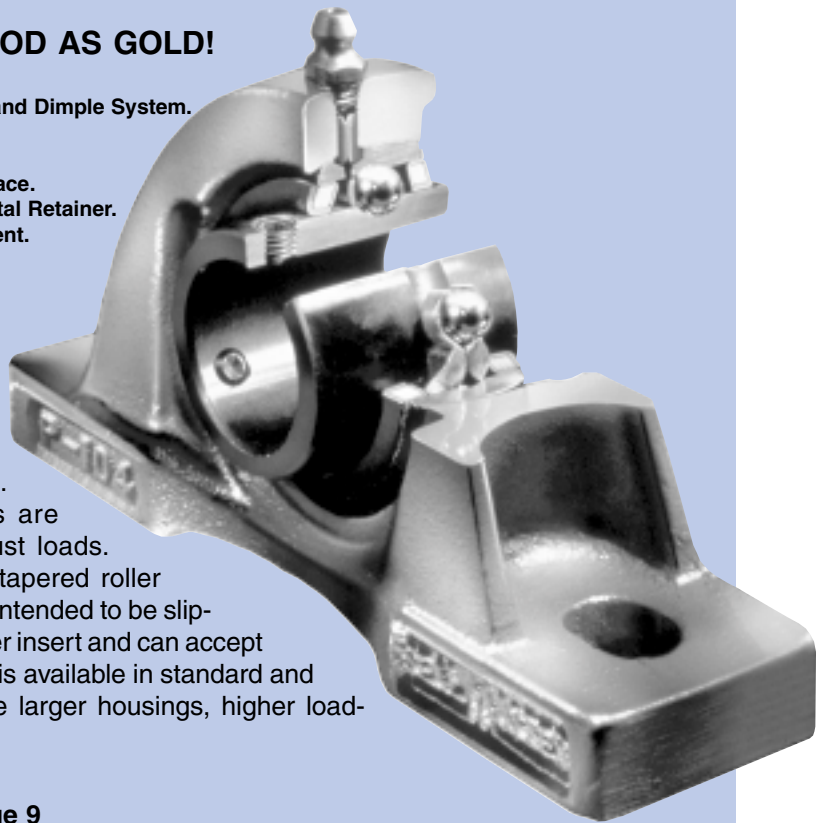
TECHNICAL SUPERIORITY...

SET SCREW LOCKING

Gold Line Mounted Ball Bearings...GOOD AS GOLD!

- Self Aligning.
- Abec 1.
- Wide Inner and Outer Races.
- Conrad Style.
- Deep Groove.
- Expansion Available.
- Solid Cast Iron Housing.
- Relubricable.
- Exclusive Locking Pin and Dimple System.
- Black Oxide Coating.
- Felt Labyrinth Seals.
- Zone Hardened Inner Race.
- Unique Land Riding Metal Retainer.
- 120° Set Screw Placement.
- Diamond Faceted Precision Thread Set Screws.
- Single Set Screw Lock Standard.
- Double Set Screw Lock Available.

The Sealmaster Gold Line bearing platform has become synonymous with problem solving by addressing many factors of bearing operation. Sealmaster Gold Line Mounted Ball Bearings are designed to provide support for radial and thrust loads. Typically, they can achieve higher speeds than tapered roller bearings. Sealmaster Gold Line Ball Bearings are intended to be slip-fit onto a shaft. They have a spherical outer diameter insert and can accept an external misalignment of $\pm 2^\circ$. This product line is available in standard and medium duty series. Medium duty bearings have larger housings, higher load-bearing capabilities, but lower speed ratings.



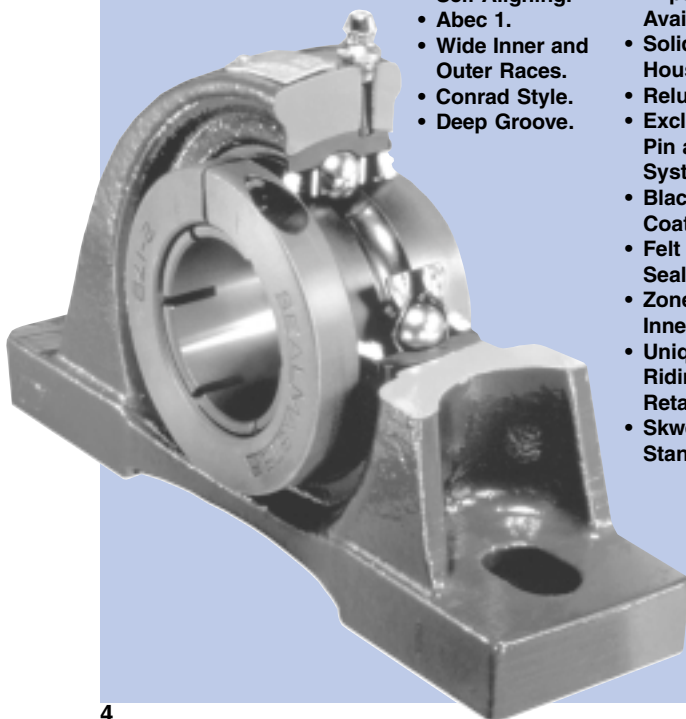
Ball Bearing Set Screw Table of Contents...Page 9

SKWEZLOC® LOCKING

Gold Line Mounted Ball Bearings...GOOD AS GOLD!

- Self Aligning.
- Abec 1.
- Wide Inner and Outer Races.
- Conrad Style.
- Deep Groove.
- Expansion Available.
- Solid Cast Iron Housing.
- Relubricable.
- Exclusive Locking Pin and Dimple System.
- Black Oxide Coating.
- Felt Labyrinth Seals.
- Zone Hardened Inner Race.
- Unique Land Riding Metal Retainer.
- Skwezloc Locking Standard.

The unparalleled **SKWEZLOC** locking collar centers the shaft in the bearing bore...secures the shaft with near-perfect concentricity for quieter operation at higher speeds and simpler installation. Shafts are protected from deep scoring or burring. This locking device combined with the Sealmaster Gold Line ball bearing platform is an excellent performer. Sealmaster Gold Line Mounted Ball Bearings are designed to provide support for radial and thrust loads. Typically, they can achieve higher speeds than tapered roller bearings. Sealmaster Gold Line Mounted Ball Bearings are intended to be slip-fit onto a shaft. They have a spherical outer diameter insert and can accept an external misalignment of $\pm 2^\circ$. This product line is available in standard and medium duty series. Medium duty bearings have larger housings, higher load-bearing capabilities, but lower speed ratings.



Ball Bearing SKWEZLOC Section...Pages 64-84

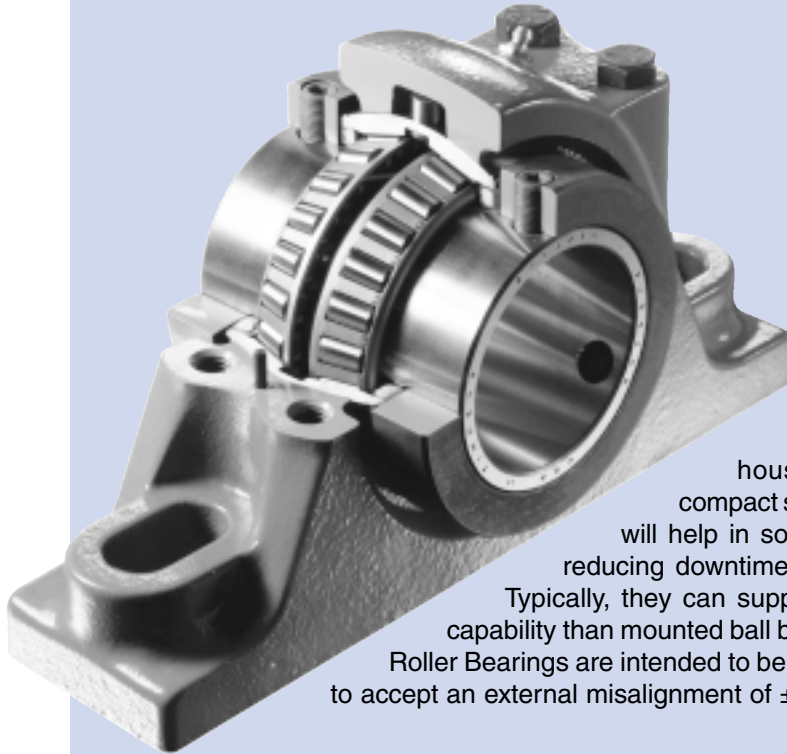
DIFFERENT...BY DESIGN!

FOCUSED ON INDUSTRY

SET SCREW LOCKING RPB Series

**Gold Line Mounted Roller Bearings...
TOUGH AS THEY COME!**

- Self Aligning.
- Double Row.
- Split Housing.
- Cast Iron Housing.
- Relubricable.
- Single Set Screw Lock Available.
- Double Set Screw Lock Standard.



Sealmaster Self-Aligning Mounted Tapered Roller Bearings units provide the dependability, flexibility, and ruggedness required to handle high radial and thrust loads. They combine the time tested assurance of TIMKEN® double row tapered roller bearings with patented outer race and housing features developed by our Engineers. The compact split housing and self-aligning bearing cartridge insert will help in solving difficult application problems while drastically reducing downtime when bearing replacement is ultimately required. Typically, they can support higher loads but have lower maximum speed capability than mounted ball bearings. Sealmaster Self-Aligning Mounted Tapered Roller Bearings are intended to be slip-fit onto a shaft and have a spherical outer insert to accept an external misalignment of $\pm 3^\circ$.

Roller Bearing Table of Contents...Page 95

ROD ENDS and SPHERICAL BEARINGS...

SEALMASTER Gold Line...ASK FOR THEM BY NAME!

Combining years of innovative bearing design experience with an original manufacturing process, our engineers have developed three-piece rod ends with steel and bronze races for enhanced performance. These quality industrial grade mounted spherical plain bearings are designed to handle low speeds, oscillation, radial loads and moderate thrust loads. Sealmaster Spherical Bearings are intended to be assembled onto a shaft and into a housing. Sealmaster Rod ends can be mounted easily using the threads on the shank. Because of the spherical designs, rod ends and spherical bearings have large misalignment ratings.

- Spherical Plain Bearings.
- Improved Rod End Design.
- Finite Element Analysis Developed.
- Three-Piece Rod Ends.
- Two-piece Rod Ends.
- Self Aligning.
- Close and Consistent Ball-Fit Race.
- Re-engineered Self-Lubricating *TEFLON and *DELRIN Rod Ends.
- Precision and Commercial.
- Many available Options.



**SEALMASTER GOLD LINE'S UNIQUE DESIGN
PLATFORM AND INDUSTRY KNOW-HOW COUPLED
WITH FLEXIBLE MANUFACTURING TECHNIQUES AND
ADVANCED ANALYTICAL CAPABILITIES MAKE AN UNBEATABLE
COMBINATION FOR YOUR MOST DEMANDING APPLICATIONS**

Rod End Table of Contents...Page 145

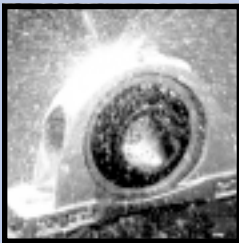
* TEFLON and *DELRIN are trademarks of the DuPont Company.

SEALMASTER® GOLD LINE SOLUTIONS...

Solutions from
**FEATURED
PRODUCTS**



Page 86
Beverage Bearings



Page 88
Corrosion DutyBall and Roller Bearings



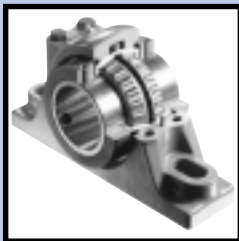
Page 90
Furnace Bearings



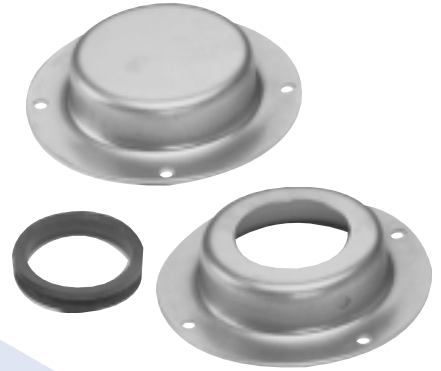
Page 110
RPBXT and ERPBXT



Page 85
Metric Bearings



Page 126



SEALMASTER...

...Has broad experience developing special end caps and protective closures along with effective materials and corrosion resistant coatings for housing, bearing races and small parts.

...Has knowledge of special greases that can be used in special factory lubricated bearings to suit your needs.

...Unique locking devices have often maximized bearing reliability in applications where standard bearings did not perform.

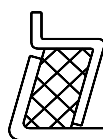
...Can control fit-ups and clearances with precision and accuracy to account for material expansion and other application dynamics.

...Engineers have thoroughly studied applications and developed distinct product lines for increased and reliable bearing performance.

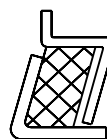


...Special seals and shields can be manufactured to guard the bearing from abrasives and corrosive contamination.

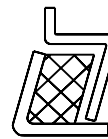
Felt Seal



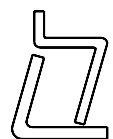
Backed Off Seal



Web Seal



X-Seal



FOR CHALLENGING APPLICATIONS



Sealmaster has years of experience solving problems and can develop new concepts and integrate existing robust designs into your applications for optimal operation efficiency.



High Temperature
Pages 130-131



Air Handling
Pages 132-133



Construction
Pages 134-135



Wet Environment
Pages 136-137



Aggregate/Mining
Pages 138-139



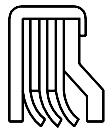
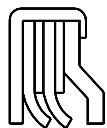
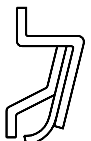
Eccentric Drives
Pages 140-141



Mixers
Pages 142-143

Solutions by
**CUSTOMIZATION
AND
MADE TO ORDER
PRODUCTS**

Contact Seal ProGard Seal SafeGard Seal UltraGard Seal



SEALMASTER®

**MOUNTED BALL BEARINGS...
THE GOLD STANDARD**

*"GOOD AS GOLD...
NO EQUAL!"*

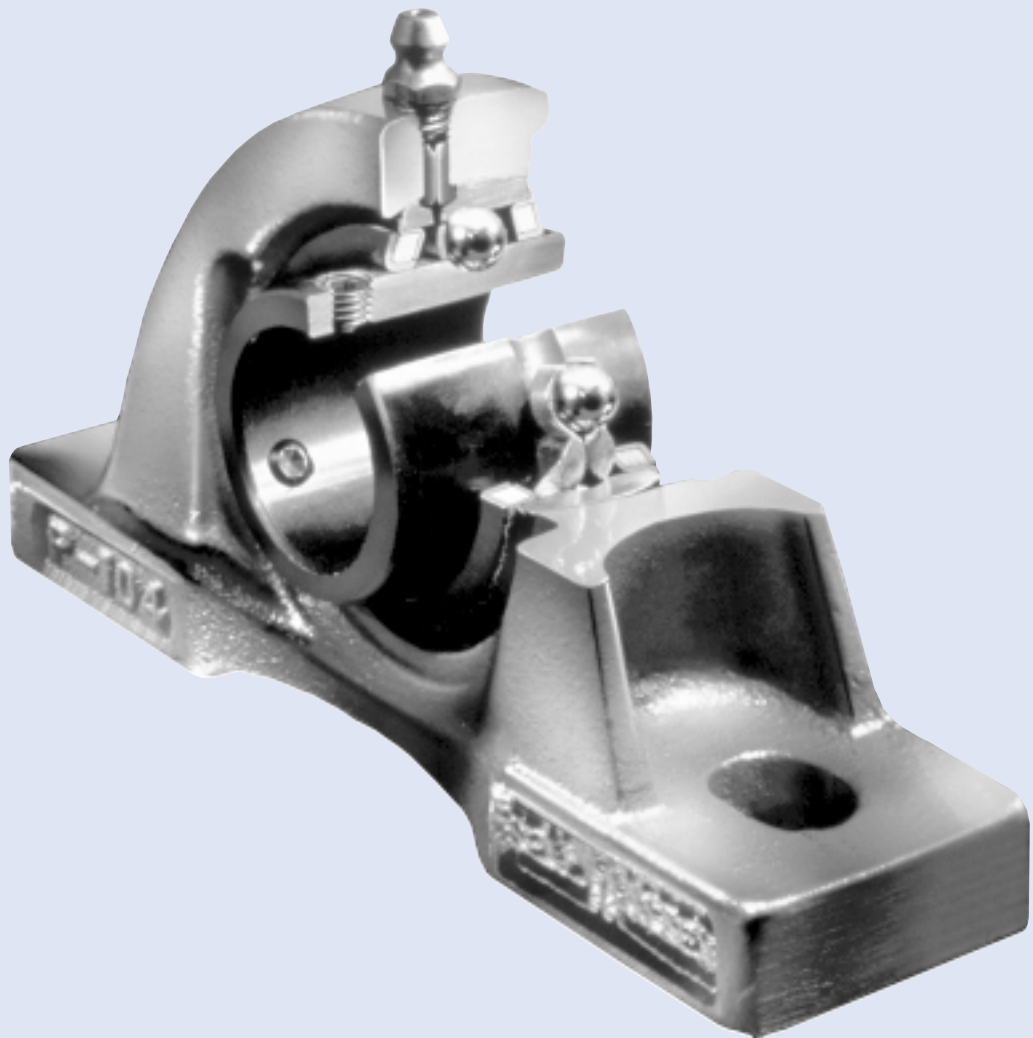
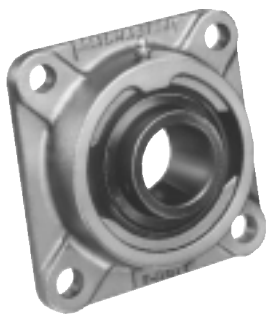
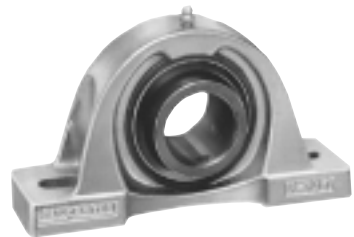


TABLE OF CONTENTS

Page Number















Pictorial Index	10-13
Gold Line Standard Description Information	14-19
Standard Duty Specifications and Dimensions	20-44
Pillow Blocks	
NP Series-High Base, Setscrew Locking	20
NPL Series-Low Base, Setscrew Locking	21
NPD Series-Double Lock, Setscrew Locking	22
TB Series-Tapped Base, Setscrew Locking	23
SP Series-Heavy Duty Housing, Setscrew Locking	24
SPD Series-Double Lock, Setscrew Locking	25
Flange Units	
SFT Series-Two Bolt Flange, Setscrew Locking	26
FB Series-Three Bolt Flange, Setscrew Locking	27
SF Series-Four Bolt Flange, Setscrew Locking	28
Cartridge Units	
SFC Series-Flange Cartridge, Setscrew Locking	29
SC Series-Cylindrical Cartridge, Setscrew Locking	33
Hanger Bearings	
SEHB Series-Eccentric Drive, Setscrew Locking	30
SCHB Series-Screw Conveyor, Setscrew Locking	31
Rubber Mounted Stamped Steel Housing Units	
SRP Series-Pillow Block, Setscrew Locking	34
SRF Series-Flange Block, Setscrew Locking	34
SRC Series-Cartridge Unit, Setscrew Locking	35
RB Series-Bearing Assemblies	35
Take Up Units	
ST Series-Take Up Units, Setscrew Locking	32
STH Series-Take Up Frame and Units Style "H" Steel Frame, Setscrew Locking	36-37
NPG & SPG Series-Style "G" Protected Screw Take Up Frame and Units	38-39
Textile Bearings	
TXP Series-Eccentric Locking, Fixed	40
ETXP Series-Eccentric Locking, Expansion	40
Inserts	
ER Series-Style "A" Extended Inner Ring Assemblies	41
AR Series-Expansion Units, Setscrew Locking	42
Standard Duty Series-Single Lock	43
Standard Duty Series-Double Lock	44
Load Ratings - Normal Duty	45
Gold Line Medium Duty Description Information	46
Medium Duty Specifications and Dimensions	47-61
Pillow Blocks	
MP Series-Two Bolt Base, Setscrew Locking	47
EMP Series-Expansion Type, Setscrew Locking	48
MPD Series-Two Bolt Base, Double Lock, Setscrew Locking	49
SPM Series-Two Bolt Base, Setscrew Locking	50
MFP Series-Four Bolt Base, Setscrew Locking	51
MSPD Series-Two Bolt Base, Double Lock, Setscrew Locking	52
MSFPD-Series-Four Bolt Base, Double Lock, Setscrew Locking	53
Flange Units	
MSFT Series-Two Bolt Flange, Setscrew Locking	54
MSF Series-Four Bolt Flange, Setscrew Locking	55
Cartridge Units	
MFC Series-Flange Cartridge, Setscrew Locking	56
MSC Series-Cylindrical Cartridge, Setscrew Locking	57
Take Up Units	
MST Series-Take Up Units, Setscrew Locking	58
Inserts	
AR Series-Expansion Units, Setscrew Locking	59
Medium Duty Series-Single Lock	60
Medium Duty Series-Double Lock	61
Load Ratings - Medium Duty	62
Gold Line SKWEZLOC Description Information	64-68
Standard Duty Specifications and Dimensions	69-76
Load Ratings Standard Duty	77
Medium Duty Specifications and Dimensions	79-83
Load Ratings Medium Duty	84
Gold Line Custom Bearings - Featured Products	
Hard Metric SKWEZLOC	85
Beverage Bearings	86-87
Corrosion-Resistant CR Duty Bearings	88-89
High Temperature HF/HFT Furnace Bearings	90-91
Featured Products Dimensions	92-93
Application Problem Solvers	129-143



SEALMASTER® MOUNTED BALL BEARINGS
















STANDARD DUTY SERIES WITH SETSCREW LOCK		Housing Configuration	Lock	Available Bore Sizes (Inches)	Available Bore Sizes (Metric)	Other Important Features	Selection Factors	Application Information
	NP Dimensional Data See Page 20	High Base Pillow Block	Single	1/2 - 27/16	20-60	Most widely used normal duty pillow block with high base to shaft centerline dimensions.		
	NPL Dimensional Data See Page 21	Low Base Pillow Block	Single	1/2 - 27/16	20-60	Generally used where low shaft to center dimensions exist.		
	SP Dimensional Data See Page 24	Heavy Housing Pillow Block	Single	13/16 - 37/16	25-80	Interchanges shaft to centerline and bolt hole dimensions with other competitive designs.		
	NPD Dimensional Data See Page 22	High Base Pillow Block	Double	7/8 - 27/16	*	Normal duty pillow block with extended inner race and dual locking setscrews.		
	SPD Dimensional Data See Page 25	Heavy Housing Pillow Block	Double	7/8 - 33/16	*	Same as "SP" except double extended inner race and dual locking setscrews.		
	TB Dimensional Data See Page 23	Tapped Base Pillow Block	Single	1/2 - 2	20-50	Tapped base units are well suited for applications where shafts are very close together.		
	SF Dimensional Data See Page 28	Four Bolt Flange Block	Single	1/2 - 215/16	20-75	Designed for flush mounting with machined bases and four bolt holes.		
	SFT Dimensional Data See Page 26	Two Bolt Flange Block	Single	1/2 - 23/16	20-55	Designed for flush mounting with machined bases for light loads and two bolt holes.		
	FB Dimensional Data See Page 27	High Bracket Flange Block	Single	1/2 - 2	20-50	Narrow housing with three bolt holes on one side of the housing. Best used in very tight spaces & tail pulleys.		
	SFC Dimensional Data See Page 29	Cartridge Flange Block	Single	1 1/8 - 33/16	30-80	Four bolt flange with a round piloted surface extended from the mounting service. Designed for heavy loads, vibrating loads or shock loads.		
	SC Dimensional Data See Page 33	Cylindrical Cartridge	Single	1/2 - 215/16	20-75	Cartridge units are similar to flange units. The most noticeable difference is that they are designed to be mounted in a customer's housing.		
	SEHB Dimensional Data See Page 30	Eccentric Drive Hangar Brgs.	Single	15/16 - 4	25-100	A Hangar type bearing for eccentric loads with an external lube fitting.		
	SCHB Dimensional Data See Page 31	Screw Conveyor Brgs.	Single	15/16 - 4	25-100	Designed for screw conveyors with lube capabilities thru the mounting pipe.		
	ST Dimensional Data See Page 32	Wide Slot Take Ups	Single	1/2 - 37/16	20-80	Standard take ups are used with a fabricated frame for shaft adjustment.		
	NPG & SPG Dimensional Data See Page 38-39	Unit & Frame Take Ups	Single	7/8 - 215/16	25-75	Available with standard pillow blocks and protected take up screws to adjust parallel shafts.		
	STH Dimensional Data See Page 36-37	Unit & Frame Take Ups	Single	7/8 - 215/16	25-75	Wide slot take up frame including standard take up unit.		

TYPE, SIZES, AVAILABILITY, SELECTION FACTORS














STANDARD DUTY SERIES WITH SETSCREW LOCK (Cont'd.)		Housing Configuration	Lock	Available Bore Sizes (Inches)	Available Bore Sizes (Metric)	Other Important Features	Selection Factors	Application Information
	INSERT Dimensional Data See Page 43	Inserts	Single	1/2 - 3 1/2	20-90	Designed for replacement in all housed units for both normal and medium duty applications.		
	INSERT Dimensional Data See Page 44	Inserts	Double	7/8 - 3 1/2	*	Designed for replacement in all housed units for both normal and medium duty applications.		
	ER Dimensional Data See Page 41	Style "A" Inserts	Single	1/2 - 4	20-80	Cylindrical O.D. designed to mount in customer's housing.		
	AR Dimensional Data See Page 42	Expansion Inserts	Single	1/2 - 3 1/2	20-90	Replacement insert for expansion type units.		
STANDARD DUTY SERIES WITH SKWEZLOC		Housing Configuration	Lock	Available Bore Sizes (Inches)	Available Bore Sizes (Metric)	Other Important Features	Selection Factors	Application Information
	NP-T Dimensional Data See Page 69	High Base Pillow Block	Single	3/4 - 2 15/16	See page 85	Most widely used normal duty pillow block with high base to shaft centerline dimensions.		
	NPL-T Dimensional Data See Page 69	Low Base Pillow Block	Single	3/4 - 2 15/16	See page 85	Generally used where low shaft to center dimensions exist.		
	SP-T Dimensional Data See Page 70	Heavy Housing Pillow Block	Single	1 3/16 - 3 7/16	*	Interchanges shaft to centerline and bolt hole dimensions with other competitive designs.		
	TB-T Dimensional Data See Page 71	Tapped Base Pillow Block	Single	1 5/16 - 2	See page 85	Tapped base units are well suited for applications where shafts are very close together.		
	TFT-T Dimensional Data See Page 71	Two Bolt Flange Block	Single	1 5/16 - 1 7/16	*	Two bolt flange with close bolt centers. Designed for Air Handling applications. Raised back face.		
	SF-T Dimensional Data See Page 72	Four Bolt Flange Block	Single	3/4 - 2 7/16	See page 85	Designed for flush mounting with machined bases and four bolt holes.		
	SFT-T Dimensional Data See Page 72	Two Bolt Flange Block	Single	3/4 - 2 7/16	See page 85	Designed for flush mounting with machined bases for light loads and two bolt holes.		
	FB-T Dimensional Data See Page 74	Bracket Flange Block	Single	1/2 - 2	See page 85	Narrow housing with three bolt holes on one side of the housing. Best used in very tight spaces & tail pulleys.		
	SFC-T Dimensional Data See Page 73	Cartridge Flange Block	Single	1 1/8 - 2 7/16	See page 85	Four bolt flange with a round piloted surface extended from the mounting service. Designed for heavy loads, vibrating loads or shock loads.		
	SC-T Dimensional Data See Page 73	Cylindrical Cartridge	Single	1 5/16 - 2 7/16	See page 85	Cartridge units are similar to flange units. The most noticeable difference is that they are designed to be mounted in a customer's housing.		

* Consult SEALMASTER for more information.

SEALMASTER® MOUNTED BALL BEARINGS

STANDARD DUTY SERIES WITH SKWEZLOC (Cont'd.)		Housing Configuration	Lock	Available Bore Sizes (Inches)	Available Bore Sizes (Metric)	Other Important Features	Selection Factors	Application Information
	ST-T Dimensional Data See Page 74	Unit Take Ups	Single	1/2 - 27/16	*	Standard take ups are used with a fabricated frame for shaft adjustment.		
	INSERT Dimensional Data See Page 76	Inserts	Single	3/4 - 27/16	See page 85	Designed for replacement in all housed units for both normal and medium duty applications.		
	ER-T Dimensional Data See Page 75	Style "A" Inserts	Single	3/4 - 27/16	See page 85	Cylindrical O.D. designed to mount in customer's housing. Used primarily in the printing industry.		
	AR-T Dimensional Data See Page 76	Expansion Inserts	Single	3/4 - 27/16	See page 85	Replacement insert for expansion type units.		
MEDIUM DUTY SERIES WITH SETSCREW		Housing Configuration	Lock	Available Bore Sizes (Inches)	Available Bore Sizes (Metric)	Other Important Features	Selection Factors	Application Information
	MP Dimensional Data See Page 47	Two Bolt Pillow Block	Single	15/16 - 4	25-100	Generally used in medium to heavy duty applications. Dimensionally interchangeable with many competitive units.		
	MPD Dimensional Data See Page 49	Two Bolt Pillow Block	Double	15/16 - 4	*	Medium duty pillow block with an extended inner race and dual setscrew locking.		
	EMP Dimensional Data See Page 48	Expansion Pillow Block	Single	15/16 - 4	25-80	Designed for medium duty applications where shaft expansion exists.		
	MFP Dimensional Data See Page 51	Four Bolt Pillow Block	Single	1 15/16 - 4 15/16	50-100	Large bore medium duty pillow block with four bolt base. Excellent for heavy shock loads.		
	MSPD Dimensional Data See Page 52	Two Bolt Pillow Block	Double	1 11/16 - 4 15/16	*	High base to center dimensions with extended inner race and dual locking setscrews.		
	MSFPD Dimensional Data See Page 53	Four Bolt Pillow Block	Double	1 15/16 - 4 15/16	*	Same as "MSPD" with four bolt base for heavy shock loads.		
	SPM Dimensional Data See Page 50	Two Bolt Pillow Block	Single	1 3/16 - 2 1/2	*	Designed for interchangeability with competitive units.		
	MSF Dimensional Data See Page 55	Four Bolt Flange Block	Single	15/16 - 4 15/16	25-100	For industrial machinery with medium to heavy loads and four bolt face mounting.		
	MSFT Dimensional Data See Page 54	Two Bolt Flange Block	Single	15/16 - 2	25-50	Medium duty two bolt flange for face mounting.		
	MSC Dimensional Data See Page 57	Cylindrical Cartridge	Single	15/16 - 4	25-100	Designed to fit in customer's housing and will handle medium loads and speeds.		
	MFC Dimensional Data See Page 56	Flange Cartridge	Single	15/16 - 4	25-100	Pilot dimension fits in customer's machine.		

TYPE, SIZES, AVAILABILITY, SELECTION FACTORS

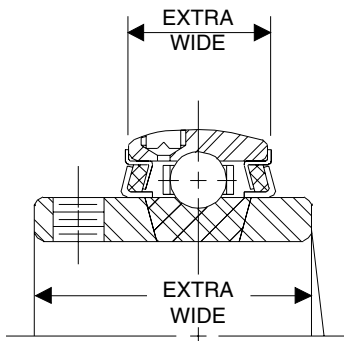
MEDIUM DUTY SERIES WITH SETSCREW (Cont'd.)		Housing Configuration	Lock	Available Bore Sizes (Inches)	Available Bore Sizes (Metric)	Other Important Features	Selection Factors	Application Information
	MST Dimensional Data See Page 58	Unit Take Up	Single	$1^{5/16}$ - 4	25-100	Wide slot medium duty take up used to move or adjust shafts.		
	INSERT Dimensional Data See Page 60	Inserts	Single	$1^{5/16}$ - 4	25-100	Designed for replacement in all housed units for both normal and medium duty applications.		
	INSERT Dimensional Data See Page 61	Inserts	Double	$1^{5/16}$ - 4 $^{15/16}$	*	Designed for replacement in all housed units for both normal and medium duty applications.		
	AR Dimensional Data See Page 59	Expansion Inserts	Single	$1^{5/16}$ - 4	25-100	Replacement insert for expansion type units.		
MEDIUM DUTY SERIES WITH SKWEZLOC		Housing Configuration	Lock	Available Bore Sizes (Inches)	Available Bore Sizes (Metric)	Other Important Features	Selection Factors	Application Information
	MP-T Dimensional Data See Page 79	Two Bolt Pillow Block	Single	1 - 2 $^{1/4}$	*	Generally used in medium to heavy duty applications. Dimensionally interchangeable with many competitive units.		
	EMP-T Dimensional Data See Page 79	Expansion Pillow Block	Single	$1^{5/16}$ - 2 $^{7/16}$	*	Designed for medium duty applications where shaft expansion exists.		
	MSF-T Dimensional Data See Page 80	Four Bolt Flange Block	Single	1 - 2 $^{1/4}$	*	For industrial machinery with medium to heavy loads and four bolt face mounting.		
	MSFT-T Dimensional Data See Page 80	Two Bolt Flange Block	Single	1 - 2	*	Medium duty two bolt flange for face mounting.		
	MSC-T Dimensional Data See Page 81	Cylindrical Cartridge	Single	1 - 2 $^{1/4}$	*	Designed to fit in customer's housing and will handle medium loads and speeds.		
	MFC-T Dimensional Data See Page 81	Flange Cartridge	Single	1 - 2 $^{1/4}$	*	Pilot dimension fits in customer's machine.		
	MST-T Dimensional Data See Page 82	Unit Take Up	Single	1 - 2 $^{1/4}$	*	Wide slot medium duty take up used to move or adjust shafts.		
	INSERT Dimensional Data See Page 83	Inserts	Single	1 - 2 $^{3/16}$	*	Designed for replacement in all housed units for both normal and medium duty applications.		
	AR-T Dimensional Data See Page 83	Expansion Inserts	Single	1 - 2 $^{3/16}$	*	Replacement insert for expansion type units.		

* Consult SEALMASTER for more information.

THE GOLD STANDARD IS THE STANDARD OF SUPERIOR DESIGN

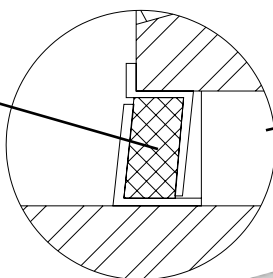
EXTRA WIDE INNER AND OUTER RACES...

provide better stability on the shaft and in the housing, plus extra grease capacity.



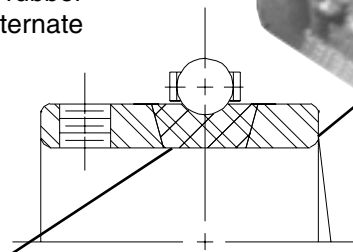
PATENTED FELT LABYRINTH SEAL...

with rotating flinger directs contamination away from the sealing surfaces. The felt design provides a tight labyrinth seal which retains grease and acts as a filter to exclude foreign material. The design operates with less drag and less heat generation than rubber contact seals. Alternate seals are available.



ZONE HARDENED INNER RACE...

provides fully hardened ball path while leaving race extension unhardened, allowing for exceptional control of setscrew holding power. Raceways are ground and honed to ensure longer life and quieter operation.

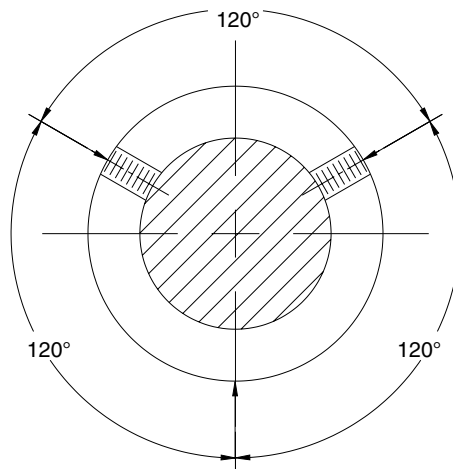


Ground thread setscrews with faceted cup points.



SPECIALY-DESIGNED DIAMOND POINT CUP, GROUND THREAD SETSCREWS AT 120°...

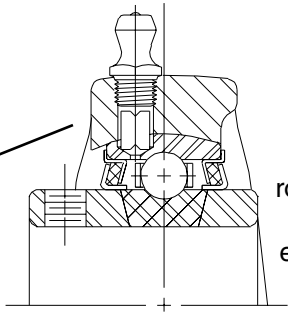
deliver superior shaft holding power with less race distortion than any other setscrew design.



Balanced 3-point contact

AVAILABLE IN THE INDUSTRY'S WIDEST BORE RANGE

FROM 1/2" THROUGH 4 15/16"

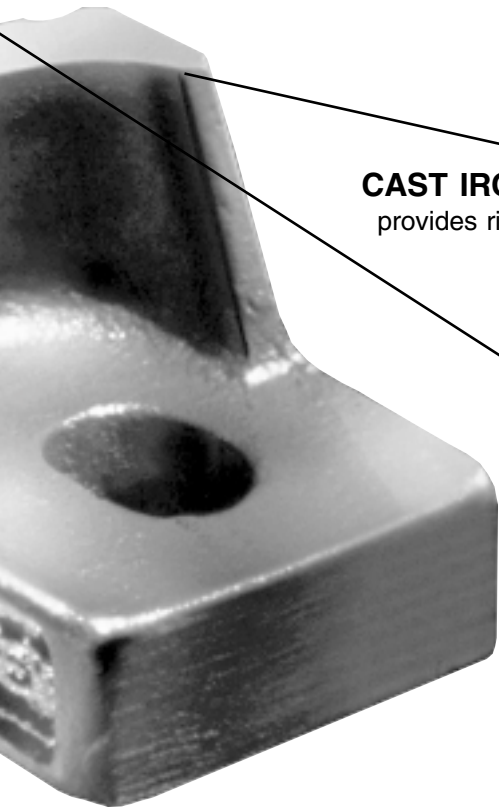


**EXCLUSIVE
LOCKING PIN AND
DIMPLE SYSTEM...**

prevents outer race rotation, allows a full $\pm 2^\circ$ misalignment and ensures direct lubrication into the bearing.

**INNER AND OUTER RACES OF
HIGH QUALITY 52100
VACUUM
DEGASSED STEEL...**

(HIGH CARBON, CHROME ALLOY)
ensure fatigue life reliability.



**SOLID BASE
CAST IRON HOUSING...**

provides rigidity and vibration damping.

**UNIQUE LAND RIDING
METAL BALL RETAINER...**

minimizes friction and provides maximum grease circulation. Retainer is designed to "float" on the ground extension (or lands) of the outer ring while spacing the balls precisely for more even load distribution. This minimizes wear on both balls and retainer, while maximizing stability, especially important in applications involving vibration, shock loading or high operating speeds. For applications involving high temperatures, +200°F, land riding brass retainers are available.



**OTHER
QUALITY FEATURES
AND OPTIONS HELP
TO MAINTAIN
THE HIGHEST
STANDARDS**

CORROSION-RESISTANT COATING

All exposed inner and outer ring surfaces are specially treated with black oxide for oil affinity and corrosion resistance. This is standard on all Gold Line bearings at no extra cost. (Note that competitors charge extra for this protective coating.)

PERMANENT NAMEPLATE

A metal nameplate containing the bearing's unit number and shaft size is firmly secured to each mounted bearing unit for long life and positive identification.

**MODIFICATIONS AND OPTIONS
INCREASE APPLICATION VERSATILITY**

SEALMASTER bearing engineers welcome the opportunity to customize the Gold Line with modifications and optional features.

SEALMASTER® MOUNTED BALL BEARINGS

MAXIMIZE USEFUL BEARING LIFE!

DIFFERENTIATED LUBRICATION AND SEALING SYSTEMS...



Most mounted bearings operate in conditions that challenge their sealing and lubrication systems. Sealmaster Gold ball bearings have a reputation for increasing application up-time. The unique features described in this shaded section each contribute to better sealing and improved lubrication effectiveness.

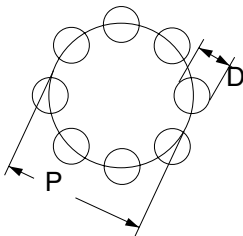
Ball Bearing Ratings

Bearing	Basic Rating		L10 Rating		L50 Rating		L90 Rating	
	Life	Speed	Life	Speed	Life	Speed	Life	Speed
6200	10000	1000	10000	1000	10000	1000	10000	1000
6201	10000	1000	10000	1000	10000	1000	10000	1000
6202	10000	1000	10000	1000	10000	1000	10000	1000
6203	10000	1000	10000	1000	10000	1000	10000	1000
6204	10000	1000	10000	1000	10000	1000	10000	1000
6205	10000	1000	10000	1000	10000	1000	10000	1000
6206	10000	1000	10000	1000	10000	1000	10000	1000
6207	10000	1000	10000	1000	10000	1000	10000	1000
6208	10000	1000	10000	1000	10000	1000	10000	1000
6209	10000	1000	10000	1000	10000	1000	10000	1000
6210	10000	1000	10000	1000	10000	1000	10000	1000
6211	10000	1000	10000	1000	10000	1000	10000	1000
6212	10000	1000	10000	1000	10000	1000	10000	1000
6213	10000	1000	10000	1000	10000	1000	10000	1000
6214	10000	1000	10000	1000	10000	1000	10000	1000
6215	10000	1000	10000	1000	10000	1000	10000	1000
6216	10000	1000	10000	1000	10000	1000	10000	1000
6217	10000	1000	10000	1000	10000	1000	10000	1000
6218	10000	1000	10000	1000	10000	1000	10000	1000
6219	10000	1000	10000	1000	10000	1000	10000	1000
6220	10000	1000	10000	1000	10000	1000	10000	1000
6221	10000	1000	10000	1000	10000	1000	10000	1000
6222	10000	1000	10000	1000	10000	1000	10000	1000
6223	10000	1000	10000	1000	10000	1000	10000	1000
6224	10000	1000	10000	1000	10000	1000	10000	1000
6225	10000	1000	10000	1000	10000	1000	10000	1000
6226	10000	1000	10000	1000	10000	1000	10000	1000
6227	10000	1000	10000	1000	10000	1000	10000	1000
6228	10000	1000	10000	1000	10000	1000	10000	1000
6229	10000	1000	10000	1000	10000	1000	10000	1000
6230	10000	1000	10000	1000	10000	1000	10000	1000
6231	10000	1000	10000	1000	10000	1000	10000	1000
6232	10000	1000	10000	1000	10000	1000	10000	1000
6233	10000	1000	10000	1000	10000	1000	10000	1000
6234	10000	1000	10000	1000	10000	1000	10000	1000
6235	10000	1000	10000	1000	10000	1000	10000	1000
6236	10000	1000	10000	1000	10000	1000	10000	1000
6237	10000	1000	10000	1000	10000	1000	10000	1000
6238	10000	1000	10000	1000	10000	1000	10000	1000
6239	10000	1000	10000	1000	10000	1000	10000	1000
6240	10000	1000	10000	1000	10000	1000	10000	1000
6241	10000	1000	10000	1000	10000	1000	10000	1000
6242	10000	1000	10000	1000	10000	1000	10000	1000
6243	10000	1000	10000	1000	10000	1000	10000	1000
6244	10000	1000	10000	1000	10000	1000	10000	1000
6245	10000	1000	10000	1000	10000	1000	10000	1000
6246	10000	1000	10000	1000	10000	1000	10000	1000
6247	10000	1000	10000	1000	10000	1000	10000	1000
6248	10000	1000	10000	1000	10000	1000	10000	1000
6249	10000	1000	10000	1000	10000	1000	10000	1000
6250	10000	1000	10000	1000	10000	1000	10000	1000
6251	10000	1000	10000	1000	10000	1000	10000	1000
6252	10000	1000	10000	1000	10000	1000	10000	1000
6253	10000	1000	10000	1000	10000	1000	10000	1000
6254	10000	1000	10000	1000	10000	1000	10000	1000
6255	10000	1000	10000	1000	10000	1000	10000	1000
6256	10000	1000	10000	1000	10000	1000	10000	1000
6257	10000	1000	10000	1000	10000	1000	10000	1000
6258	10000	1000	10000	1000	10000	1000	10000	1000
6259	10000	1000	10000	1000	10000	1000	10000	1000
6260	10000	1000	10000	1000	10000	1000	10000	1000
6261	10000	1000	10000	1000	10000	1000	10000	1000
6262	10000	1000	10000	1000	10000	1000	10000	1000
6263	10000	1000	10000	1000	10000	1000	10000	1000
6264	10000	1000	10000	1000	10000	1000	10000	1000
6265	10000	1000	10000	1000	10000	1000	10000	1000
6266	10000	1000	10000	1000	10000	1000	10000	1000
6267	10000	1000	10000	1000	10000	1000	10000	1000
6268	10000	1000	10000	1000	10000	1000	10000	1000
6269	10000	1000	10000	1000	10000	1000	10000	1000
6270	10000	1000	10000	1000	10000	1000	10000	1000
6271	10000	1000	10000	1000	10000	1000	10000	1000
6272	10000	1000	10000	1000	10000	1000	10000	1000
6273	10000	1000	10000	1000	10000	1000	10000	1000
6274	10000	1000	10000	1000	10000	1000	10000	1000
6275	10000	1000	10000	1000	10000	1000	10000	1000
6276	10000	1000	10000	1000	10000	1000	10000	1000
6277	10000	1000	10000	1000	10000	1000	10000	1000
6278	10000	1000	10000	1000	10000	1000	10000	1000
6279	10000	1000	10000	1000	10000	1000	10000	1000
6280	10000	1000	10000	1000	10000	1000	10000	1000
6281	10000	1000	10000	1000	10000	1000	10000	1000
6282	10000	1000	10000	1000	10000	1000	10000	1000
6283	10000	1000	10000	1000	10000	1000	10000	1000
6284	10000	1000	10000	1000	10000	1000	10000	1000
6285	10000	1000	10000	1000	10000	1000	10000	1000
6286	10000	1000	10000	1000	10000	1000	10000	1000
6287	10000	1000	10000	1000	10000	1000	10000	1000
6288	10000	1000	10000	1000	10000	1000	10000	1000
6289	10000	1000	10000	1000	10000	1000	10000	1000
6290	10000	1000	10000	1000	10000	1000	10000	1000
6291	10000	1000	10000	1000	10000	1000	10000	1000
6292	10000	1000	10000	1000	10000	1000	10000	1000
6293	10000	1000	10000	1000	10000	1000	10000	1000
6294	10000	1000	10000	1000	10000	1000	10000	1000
6295	10000	1000	10000	1000	10000	1000	10000	1000
6296	10000	1000	10000	1000	10000	1000	10000	1000
6297	10000	1000	10000	1000	10000	1000	10000	1000
6298	10000	1000	10000	1000	10000	1000	10000	1000
6299	10000	1000	10000	1000	10000	1000	10000	1000

L-10 life is the theoretical number of hours that 90% of bearings should last based on a set of criteria established in 1990 by AFBMA (now known as ABMA). The formula is based on four design and calculates predicted life based on load and shaft speed.

L-10 Calculation Criteria

1. Ball Diameter (D)
2. Ball Path Pitch Diameter (P)
3. Number of Balls
4. Steel Selection and Quality



Most applications have problems that shorten useful bearing life.

Few bearings actually reach calculated L-10 potential.

The Sealmaster Gold Bearing design platform addresses many of these issues through a combination of unique and patented features.

GOOD AS GOLD... NO EQUAL!

WHEN WAS THE LAST TIME YOU REPLACED A BEARING WITH A CRACKED RACE?

THAT'S WHAT METAL FATIGUE CAN DO!!

Bearings are typically selected on the basis of calculated L-10 Life only. Over 50 years of experience has indicated that most bearings never reach metal fatigue. The Sealmaster Gold Ball Bearing platform has become synonymous with problem solving by addressing operating factors with unique features designed to prolong bearing life.

Loss of shaft lock is another of the most typical modes of premature bearing failure. The Sealmaster design effectively addresses this problem. The interrelated features in this shaded section maximize the bearing hold to the shaft and provide other functional benefits. Please reference Sealmaster Double lock and SKWEZLOC products for additional information.

SUPERIOR SHAFT STABILITY...



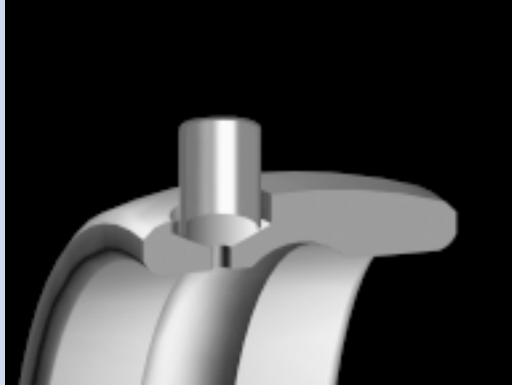
52100 High Quality Bearing Steel

Sealmaster Gold Line Bearings utilize high quality 52100 vacuum degassed steel. 52100 steel is widely recognized as a superior bearing steel. It is resistant to shock loading and carries high metal fatigue life ratings. In addition, Sealmaster specifies all steel to be vacuum degassed (VDG). This is an extra manufacturing operation to filter impurities and remove inclusions that often appear during steelmaking. The result is a cleaner and more pure material that is better able to withstand subsurface cracking and subsequent premature metal fatigue failures.

DIFFERENT...BY DESIGN!

Locking Pin and Dimple Direct Lubrication & Outer Ring Antirotation...

The Sealmaster exclusive locking pin and dimple system provides direct lubrication flow into the bearing chamber. The locking pin extends from directly beneath the zerk fitting into a dimple drilled into an extra wide outer race.



The floor of the dimple is also the grease port of entry to the ball path. This design minimizes the chances of contaminants or oxidized grease from inhibiting relubrication. The locking pin also properly positions the bearing insert within the housing configuration and allows for ± 2 degrees misalignment. Further, the locking pin prevents outer race rotation (sometimes referred to as "creep"). In other bearing designs where outer race rotation often occurs, the lubrication system may be compromised and the user's ability to re-lubricate the bearing is diminished. The Sealmaster locking pin and dimple system is a most important feature contributing to longer useful bearing life...available only on *Sealmaster Gold...Different by Design!*

Extra Wide Outer Race...

Sealmaster has the industry's widest outer race. Ranging from 13% to 26% wider than competitive units. This feature provides a significant surface area for the absorption of shock loads. More importantly, the wide race creates a large internal grease chamber. As previously mentioned, lubrication issues are the leading causes of bearing failures. The extra grease extends useful bearing life. **Better by design...No Equal!**



Extra Wide Inner Race...

Sealmaster long inner race provides greater surface contact with the shaft for stability and wide load distribution. This is critical on applications where vibration, shock, and reciprocating motion exist.



**SOLID CAST
IRON HOUSING**

Rugged cast iron housings...

Solid bases are standard on Sealmaster Gold ball bearing pillow blocks. The rugged solid face absorbs shock loads and distributes forces throughout the housing. This construction is also key on mounting surfaces such as sheet metal where "buckling" of the structure may occur when hollow foot castings are used. We encourage you to visually inspect the difference! **Extra Tough...More Value!**

SEALMASTER® MOUNTED BALL BEARINGS



PATENTED FELT LINED FLINGER



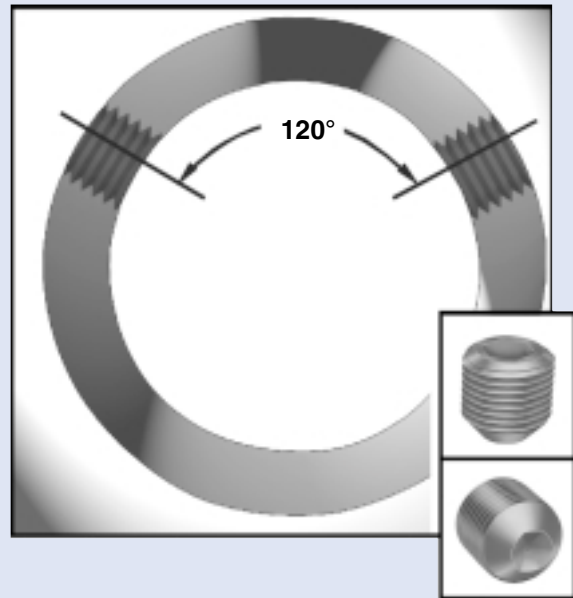
The Sealmaster labyrinth felt seal (our name Sealmaster means "Master Seal") is the industry benchmark for keeping contaminants out and lubrication in! The design incorporates a series of passageways with a highly effective filtering media that together block the ingress of contaminants and allow for the purging of oxidized grease during re-lubrication. Protective metal flingers are primary factors in seal performance. The inner flinger is pressed into the outer race and is a stationary foundation for the sealing system. The outer flinger, the first barrier to contaminant entry, is attached to the inner race and therefore rotates with the shaft. The rotation of the outer flinger offers two significant benefits. The first is the creation of a centrifugal force that repels debris by "slinging" it away from the seal area. The second is an extension of the flinger internally into the bearing chamber that initiates a vortex that churns the lubricant back toward the ball path where it is needed most! **Sealmaster's Master Seal is more than a seal...it is an integral part of our bearing system that extends useful bearing life.**

120° SET SCREW POSITION AND PRECISION GROUND DIAMOND FACETED SET SCREWS



Roundness of the inner race is uniformly accepted as a critical factor effecting overall bearing performance. Sealmaster set screws located 120° apart provide for a balanced 3-point contact. This evenly positioned shaft lock design is particularly important in high speed applications where any eccentricity is magnified. **See pages 64-68 for information about Sealmaster Skwezloc concentric locking device...the Sealmaster ultimate in concentricity and true rolling motion.**

Every component of the Sealmaster Gold design has more than one purpose. Sealmaster Gold Ball Bearings come standard with precision ground (not rolled) setscrews that mate effectively with our inner race post heat treat drilled and tapped setscrew holes. These premium setscrews also incorporate a diamond faceted point (more effective than cup-point or knurled) that tightly secures the setscrews to the shaft and resists any reverse rotation or backout.



BLACK OXIDE CORROSION RESISTANT RACES

Sealmaster inner and outer races and seal flingers are processed through an alkaline solution. This chemically primes the surface of the steel for better lubrication retention and corrosion resistance. Unlike many competitors Sealmaster provides black oxide as a standard feature. **More Value...No Added Cost!**

DIFFERENT...BY DESIGN!

UNIQUE METAL LANDRIDING RETAINER...

Another exclusive feature is the Sealmaster metal land riding retainer. The retainer may be considered the "heart" of the bearing and the Sealmaster retainer is particularly strong. The retainer is metal instead of nylon as found in other designs. This strength is especially important under heavily loaded situations where the accurate spacing of the bearing balls is critical. Further, the land riding design allows for free 360 degree circulation of lubricant around the balls and into the ball paths that contributes to higher speed capability. Another benefit is the collection of grease in the retainer's recessed ball pockets that allows for a gradual release of oil as needed. The Sealmaster metal land riding retainer is key to cooler running, longer grease life, and high speed capability. **More Value...Different by Design!**



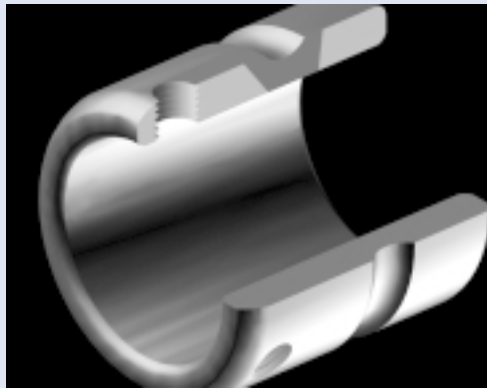
**MAXIMUM
USEFUL
BEARING
LIFE**

**DIFFERENTRATED
LUBRICATION
AND
SEALING SYSTEMS**



ZONE HARDENED INNER RACE...

Sealmaster incorporates a unique heat treat process that hardens the inner race only where it is needed...underneath the ball path! This permits the extended portion of the inner race to remain unhardened and allows for tapping set screws holes after heat treat. This process does not distort the tapped threads in the set screw holes that creates a tightly meshed system and an effective, secure lock. **Excellent hold on the Shaft!**



**SUPERIOR
SHAFT STABILITY**



PERMANENT METAL NAMEPLATE...

Sealmaster takes pride in the details. The Sealmaster metal nameplate is an additional example of outstanding value. Each metal name plate is riveted to the housing and is able to withstand the many expected years of bearing operation. **Good As Gold...with No Equal!**

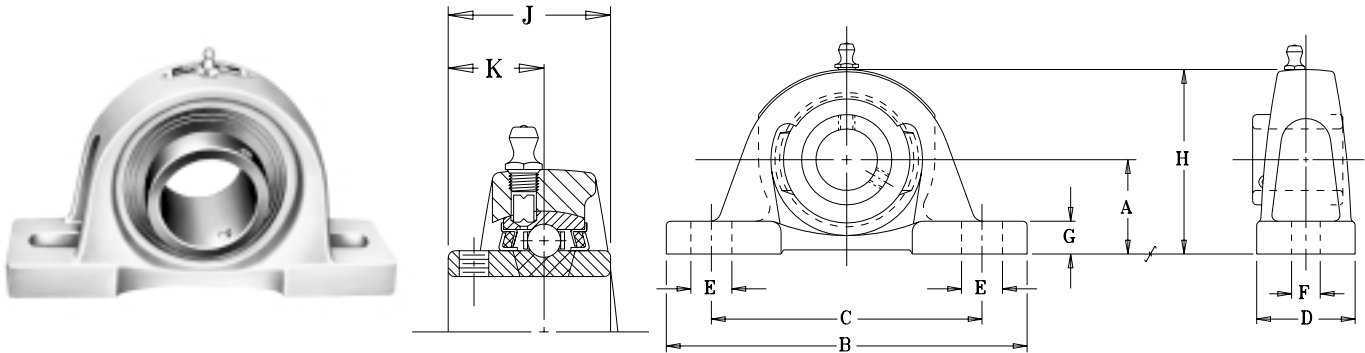


**GOOD AS
GOLD...**

NO EQUAL!



MOUNTED BALL BEARINGS **SEALMASTER®**

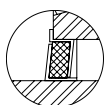


NP Series Standard Duty Pillow Blocks...Setscrew Locking

SHAFT DIAM.	PART NO.	BRG. NO.	Dimensions in Inches											BOLT SIZE IN.	UNIT WT.
			A	B	C		D	E	F	G	H	J	K		
IN	MM				MIN.	MAX.									
1/2 9/16 5/8 11/16	NP-8 NP-9 NP-10 NP-11	2-08 2-09 2-010 2-011	1 3/16	5	3 3/8	4 1/8	1 1/2	3/4	7/16	1/2	2 7/16	1 7/32	23/32	3/8	1.7
3/4 20	NP-12 NP-204	2-012 5204	1 5/16	5	3 3/8	4 1/8	1 1/2	3/4	7/16	1/2	2 9/16	1 7/32	23/32	3/8	1.9
13/16 7/8 15/16 1	NP-13 NP-14 NP-15 NP-16 NP-205	2-013 2-014 2-015 2-1 5205	1 7/16	5 1/2	3 7/8	4 3/8	1 1/2	5/8	7/16	1/2	2 13/16	1 3/8	13/16	3/8	2.2
1 1/16 1 1/8 1 3/16 1 1/4 30	NP-17 NP-18 NP-19 NP-20R NP-206	2-11 2-12 2-13 1-14 5206	1 11/16	6 1/2	4 7/16	5 1/16	1 7/8	13/16	9/16	9/16	3 3/8	1 1/2	7/8	1/2	3.6
1 1/4 1 5/16 1 3/8 1 7/16 35	NP-20 NP-21 NP-22 NP-23 NP-207	2-14 2-15 2-16 2-17 5207	1 7/8	6 9/16	4 11/16	5 5/16	1 7/8	13/16	9/16	5/8	3 3/4	1 11/16	1	1/2	4.5
1 1/2 1 9/16 40	NP-24 NP-25 NP-208	2-18 2-19 5208	1 15/16	7 1/4	4 7/8	5 7/8	2 1/8	1	9/16	11/16	3 15/16	1 15/16	1 3/16	1/2	5.7
1 5/8 1 11/16 1 3/4 45	NP-26 NP-27 NP-28 NP-209	2-110 2-111 2-112 5209	2 1/8	7 1/2	5 7/16	6 1/16	2 1/8	13/16	9/16	11/16	4 1/4	1 15/16	1 3/16	1/2	6.5
1 13/16 1 7/8 1 15/16 2 50	NP-29 NP-30 NP-31 NP-32R NP-210	2-113 2-114 2-115 1-2 5210	2 1/4	8 1/8	6	6 1/2	2 3/8	7/8	11/16	3/4	4 9/16	2 1/32	1 9/32	5/8	7.9
2 2 1/8 2 3/16 55	NP-32 NP-34 NP-35 NP-211	2-2 2-22 2-23 5211	2 1/2	8 5/8	6 1/2	7	2 3/8	7/8	11/16	3/4	5	2 3/16	1 5/16	5/8	9.7
2 1/4 2 3/8 2 7/16 60	NP-36 NP-38 NP-39 NP-212	2-24 2-26 2-27 5212	2 3/4	9 1/2	6 7/8	7 5/8	2 3/4	1	11/16	7/8	5 9/16	2 9/16	1 9/16	5/8	13.7

For Load Ratings, see page 45.

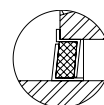
For Standard Duty Bearing Inserts-Single Lock, see page 43.



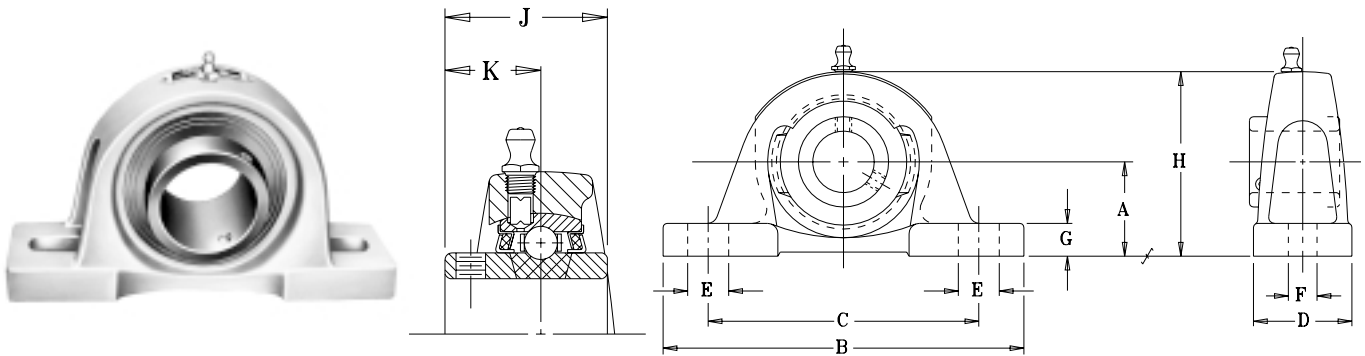
Felt Seal Standard
Positive sealing for low, medium, and high speed operation.



Single Lip Contact Seal
Available on all sizes. Recommended where moisture conditions prevail. To specify, add suffix "C" (NP-16C).



Hi-Temp Seal
Available as an option where operating temperatures are in 250-400° range. (See seal options on page 188.)



NPL Series Standard Duty Pillow Blocks...Setscrew Locking

SHAFT DIAM.	PART NO.	BRG. NO.	Dimensions in Inches											BOLT SIZE IN.	UNIT WT.	
			A	B	C		D	E	F	G	H	J	K			
IN	MM				MIN.	MAX.										
1/2 9/16 5/8 11/16	NPL-8 NPL-9 NPL-10 NPL-11	2-08 2-09 2-010 2-011	1 1/16	5	3 3/8	4 1/8	1 1/2	3/4	7/16	3/8	2 5/16	1 7/32	23/32	3/8	1.7	
3/4	20	NPL-12 NPL-204	2-012 5204	1 1/4	5	3 3/8	4 1/8	1 1/2	3/4	7/16	7/16	2 1/2	1 7/32	23/32	3/8	1.7
13/16 7/8 15/16 1	25	NPL-13 NPL-14 NPL-15 NPL-16 NPL-205	2-013 2-014 2-015 2-1 5205	1 5/16	5 1/2	3 7/8	4 3/8	1 1/2	5/8	7/16	1/2	2 11/16	1 3/8	13/16	3/8	2.0
1 1/16 1 1/8 1 3/16 1 1/4	30	NPL-17 NPL-18 NPL-19 NPL-20R NPL-206	2-11 2-12 2-13 1-14 5206	1 9/16	6 1/2	4 7/16	5 1/16	1 7/8	13/16	9/16	7/16	3 1/4	1 1/2	7/8	1/2	3.6
1 1/4 1 5/16 1 3/8 1 7/16	35	NPL-20 NPL-21 NPL-22 NPL-23 NPL-207	2-14 2-15 2-16 2-17 5207	1 13/16	6 9/16	4 11/16	5 5/16	1 7/8	13/16	9/16	9/16	3 11/16	1 11/16	1	1/2	4.4
1 1/2 1 9/16	40	NPL-24 NPL-25 NPL-208	2-18 2-19 5208	1 15/16	7 1/4	4 7/8	5 7/8	2 1/8	1	9/16	11/16	3 15/16	1 15/16	1 3/16	1/2	5.7
1 5/8 1 11/16 1 3/4	45	NPL-26 NPL-27 NPL-28 NPL-209	2-110 2-111 2-112 5209	2 1/16	7 1/2	5 7/16	6 1/16	2 1/8	13/16	9/16	5/8	4 3/16	1 15/16	1 3/16	1/2	6.2
1 13/16 1 7/8 1 15/16 2	50	NPL-29 NPL-30 NPL-31 NPL-32R NPL-210	2-113 2-114 2-115 1-2 5210	2 3/16	8 1/8	6	6 1/2	2 3/8	7/8	11/16	11/16	4 1/2	2 1/32	1 9/32	5/8	7.8
2 2 1/8 2 3/16	55	NPL-32 NPL-34 NPL-35 NPL-211	2-2 2-22 2-23 5211	2 7/16	8 5/8	6 1/2	7	2 3/8	7/8	11/16	11/16	4 15/16	2 3/16	1 5/16	5/8	9.6
2 1/4 2 3/8 2 7/16	60	NPL-36 NPL-38 NPL-39 NPL-212	2-24 2-26 2-27 5212	2 11/16	9 1/2	6 7/8	7 5/8	2 3/4	1	11/16	13/16	5 1/2	2 9/16	1 9/16	5/8	13.5

For Load Ratings, see page 45.

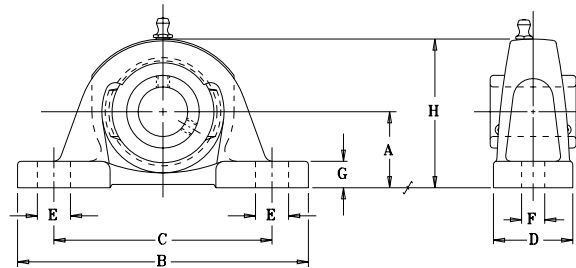
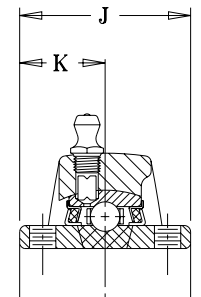
For Standard Duty Bearing Inserts-Single Lock, see page 43.

See page 20 for seal arrangements.



MOUNTED BALL BEARINGS

SEALMASTER®

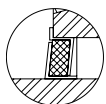


NPD Series Standard Duty Pillow Blocks with Double Lock...Setscrew Locking

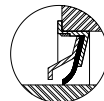
SHAFT DIAM.	PART NO.	BRG. NO.	Dimensions in Inches											BOLT SIZE IN.	UNIT WT.
			A	B	C		D	E	F	G	H	J	K		
IN	MM				MIN.	MAX.									
7/8 15/16 1	NPD-14 NPD-15 NPD-16	2-014D 2-015D 2-1D	1 7/16	5 1/2	3 7/8	4 3/8	1 1/2	5/8	7/16	1/2	2 13/16	1 1/2	3/4	3/8	2.4
1 1/16 1 1/8 1 3/16	NPD-17 NPD-18 NPD-19	2-11D 2-12D 2-13D	1 11/16	6 1/2	4 7/16	5 1/16	1 7/8	13/16	9/16	9/16	3 3/8	1 3/4	7/8	1/2	3.8
1 1/4 1 5/16 1 3/8 1 7/16	NPD-20 NPD-21 NPD-22 NPD-23	2-14D 2-15D 2-16D 2-17D	1 7/8	6 9/16	4 11/16	5 5/16	1 7/8	13/16	9/16	5/8	3 3/4	2	1	1/2	4.7
1 1/2 1 9/16	NPD-24 NPD-25	2-18D 2-19D	1 15/16	7 1/4	4 7/8	5 7/8	2 1/8	1	9/16	11/16	3 15/16	2 5/16	1 5/32	1/2	6.0
1 5/8 1 11/16 1 3/4	NPD-26 NPD-27 NPD-28	2-110D 2-111D 2-112D	2 1/8	7 1/2	5 7/16	6 1/16	2 1/8	13/16	9/16	11/16	4 1/4	2 3/8	1 3/16	1/2	6.5
1 7/8 1 15/16	NPD-30 NPD-31	2-114D 2-115D	2 1/4	8 1/8	6	6 1/2	2 3/8	7/8	11/16	3/4	4 9/16	2 1/2	1 1/4	5/8	8.3
2 2 1/8 2 3/16	NPD-32 NPD-34 NPD-35	2-2D 2-22D 2-23D	2 1/2	8 5/8	6 1/2	7	2 3/8	7/8	11/16	3/4	5	2 5/8	1 5/16	5/8	10.0
2 1/4 2 3/8 2 7/16	NPD-36 NPD-38 NPD-39	2-24D 2-26D 2-27D	2 3/4	9 1/2	6 7/8	7 5/8	2 3/4	1	11/16	7/8	5 9/16	3 1/8	1 9/16	5/8	14.0

For Load Ratings, see page 45.

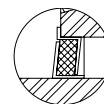
For Standard Duty Bearing Inserts-Double lock, see page 44.



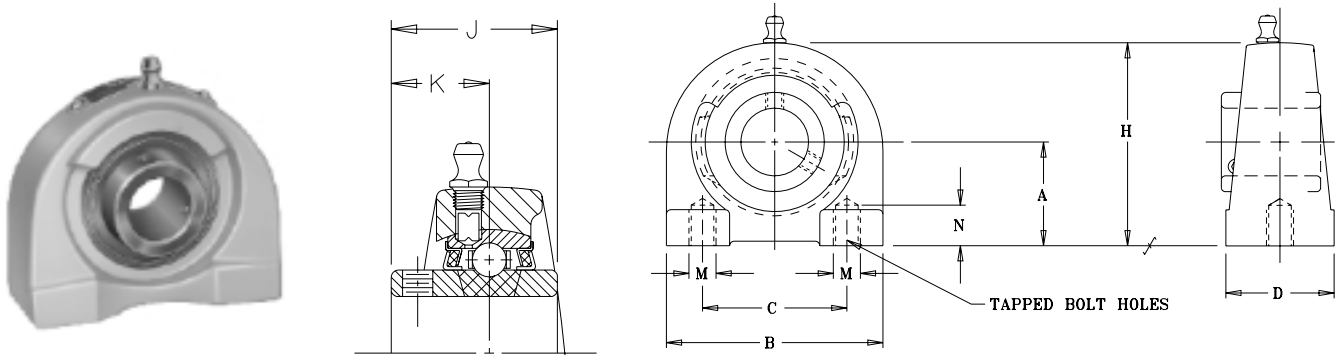
Felt Seal Standard
Positive sealing for low, medium, and high speed operation.



Single Lip Contact Seal
Available on all sizes. Recommended where moisture conditions prevail. To specify, add suffix "C" (NPD-16C).



Hi-Temp Seal
Available as an option where operating temperatures are in 250-400° range. (See seal options on page 188).



TB Series Tapped Base Pillow Blocks...Setscrew Locking

SHAFT DIAM.		PART NO.	BRG. NO.	Dimensions in Inches						N MIN. TAP DEPTH	M BOLT UNC-2B THD	UNIT WT.	
IN	MM			A	B	C	D	H	J				K
1/2		TB-8	2-08	1 5/16	3 1/8	2	1 1/2	2 9/16	1 7/32	23/32	1/2	3/8-16	1.8
9/16		TB-9	2-09										
5/8		TB-10	2-010										
11/16		TB-11	2-011										
3/4		TB-12	2-012										
	20	TB-204	5204										
13/16		TB-13	2-013	1 7/16	3	2	1 1/2	2 13/16	1 3/8	13/16	1/2	3/8-16	2.0
7/8		TB-14	2-014										
15/16		TB-15	2-015										
1		TB-16	2-1										
	25	TB-205	5205										
1 1/16		TB-17	2-11	1 11/16	4	3	1 1/2	3 13/32	1 1/2	7/8	5/8	7/16-14	3.5
1 1/8		TB-18	2-12										
1 3/16		TB-19	2-13										
1 1/4		TB-20R	1-14										
	30	TB-206	5206										
1 1/4		TB-20	2-14	1 7/8	4 1/4	3 1/4	1 7/8	3 3/4	1 11/16	1	3/4	1/2-13	4.5
1 5/16		TB-21	2-15										
1 3/8		TB-22	2-16										
1 7/16		TB-23	2-17										
	35	TB-207	5207										
1 1/2		TB-24	2-18	1 15/16	4 5/8	3 1/2	1 7/8	3 15/16	1 15/16	1 3/16	3/4	1/2-13	6.0
1 9/16		TB-25	2-19										
	40	TB-208	5208										
1 5/8		TB-26	2-110	2 1/8	5	3 3/4	2	4 1/4	1 15/16	1 3/16	3/4	1/2-13	6.50
1 11/16		TB-27	2-111										
1 3/4		TB-28	2-112										
	45	TB-209	5209										
1 13/16		TB-29	2-113	2 1/4	5 1/2	4	2	4 5/8	2 1/32	1 9/32	7/8	5/8-11	8.0
1 7/8		TB-30	2-114										
1 15/16		TB-31	2-115										
2		TB-32R	1-2										
	50	TB-210	5210										

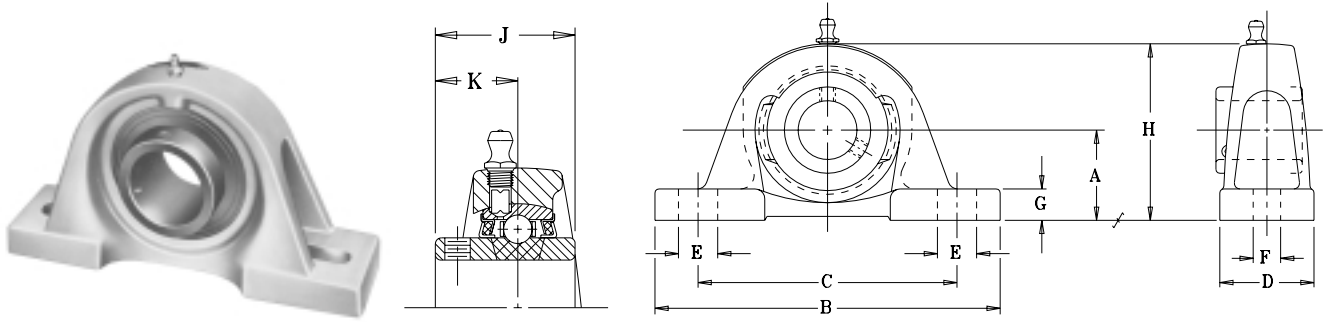
For Load Ratings, see page 45.

For Standard Duty Bearing Inserts-Single Lock, see page 43.

See page 22 for seal arrangements.



MOUNTED BALL BEARINGS SEALMASTER®

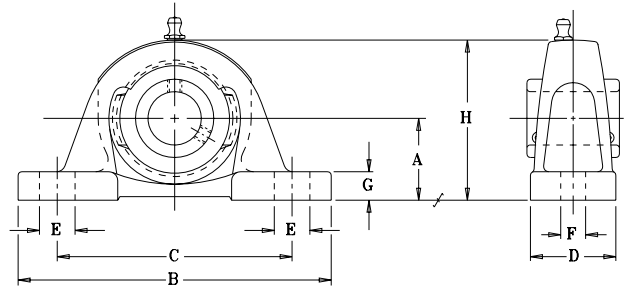
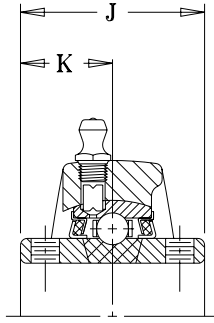


SP Series Standard Duty Pillow Blocks...Setscrew Locking

SHAFT DIAM.	PART NO.	BRG. NO.	Dimensions in Inches											BOLT SIZE IN.	UNIT WT.
			A	B	C		D	E	F	G	H	J	K		
MIN.	MAX.														
13/16 7/8 15/16 1	SP-13 SP-14 SP-15 SP-16 SP-20S	2-013 2-014 2-015 2-1 5205	1 3/4	7	5 1/8	5 5/8	2	3/4	9/16	9/16	3 5/16	1 3/8	13/16	1/2	3.6
1 1/16 1 1/8 1 3/16 1 1/4	SP-17 SP-18 SP-19 SP-20R SP-206	2-11 2-12 2-13 1-14 5206	2	7 1/2	5 3/8	6 1/8	2	7/8	9/16	5/8	3 7/8	1 1/2	7/8	1/2	5.0
1 1/4 1 5/16 1 3/8 1 7/16	SP-20 SP-21 SP-22 SP-23 SP-207	2-14 2-15 2-16 2-17 5207	2 3/8	8 1/4	5 5/8	6 7/8	2 1/4	1 1/4	3/4	3/4	4 1/2	1 11/16	1	5/8	7.0
1 1/2 1 9/16	SP-24 SP-25 SP-208	2-18 2-19 5208	2 5/16	8 1/2	5 7/8	7 1/8	2 3/8	1 1/4	3/4	3/4	4 9/16	1 15/16	1 3/16	5/8	7.6
1 5/8 1 11/16 1 3/4	SP-26 SP-27 SP-28 SP-209	2-110 2-111 2-112 5209	2 3/8	8 3/4	5 7/8	7 1/8	2 3/8	1 1/4	3/4	3/4	4 5/8	1 15/16	1 3/16	5/8	8.1
1 13/16 1 7/8 1 15/16 2	SP-29 SP-30 SP-31 SP-32R SP-210	2-113 2-114 2-115 1-2 5210	2 3/4	10 1/2	6 3/4	8 1/2	2 1/2	1 1/2	3/4	7/8	5 5/16	2 1/32	1 9/32	5/8	11.6
2 2 1/8 2 3/16	SP-32 SP-34 SP-35 SP-211	2-2 2-22 2-23 5211	3 1/8	11 1/4	7 5/8	9 3/8	2 3/4	1 1/2	3/4	7/8	5 15/16	2 3/16	1 5/16	5/8	14.1
2 1/4 2 3/8 2 7/16	SP-36 SP-38 SP-39 SP-212	2-24 2-26 2-27 5212	3 1/8	11 1/2	7 7/8	9 3/8	3	1 1/2	7/8	7/8	6 1/16	2 9/16	1 9/16	3/4	16.5
2 1/2 2 11/16	SP-40 SP-43 SP-214	3-28 2-211 5214	3 3/4	12 5/8	9 3/8	10 5/8	3 3/8	1 3/8	7/8	1	7 1/8	2 3/4	1 11/16	3/4	26.3
2 7/8 2 15/16	SP-46 SP-47 SP-215	2-214 2-215 5215	3 3/4	13	9 1/4	10 3/4	3 3/8	1 1/2	7/8	1	7 3/16	3 1/16	1 3/4	3/4	26.6
3 3 3/16	SP-48 SP-51 SP-216	3-3 2-33 5216	4	14 1/2	10 5/8	12 1/8	3 3/4	1 1/2	7/8	1 1/8	7 13/16	3 1/4	1 15/16	3/4	34.0
3 1/4 3 3/8 3 7/16	SP-52 SP-54 SP-55	2-34 2-36 2-37	4	15	9 5/8	11 7/8	4 1/4	2	1	1 1/4	8 1/16	3 3/8	2 1/32	7/8	42.1

For Load Ratings, see page 45. For Standard Duty Bearing Inserts-Single Lock, see page 43. See page 22 for seal arrangements. See page 188 for custom seals.

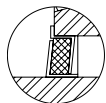
SEALMASTER® MOUNTED BALL BEARINGS



SPD Series Standard Duty Pillow Blocks with Double Lock...Setscrew Locking

SHAFT DIAM.	PART NO.	BRG. NO.	Dimensions in Inches						BOLT						SIZE IN.	UNIT WT.
			A	B	C		D	E	F	G	H	J	K			
IN	MM				MIN.	MAX.										
7/8 15/16 1	SPD-14 SPD-15 SPD-16	2-014D 2-015D 2-1D	1 3/4	7	5 1/8	5 5/8	2	3/4	9/16	9/16	3 5/16	1 1/2	3/4	1/2	3.6	
1 1/16 1 1/8 1 3/16	SPD-17 SPD-18 SPD-19	2-11D 2-12D 2-13D	2	7 1/2	5 3/8	6 1/8	2	7/8	9/16	5/8	3 7/8	1 3/4	7/8	1/2	5.0	
1 1/4 1 5/16 1 3/8 1 7/16	SPD-20 SPD-21 SPD-22 SPD-23	2-14D 2-15D 2-16D 2-17D	2 3/8	8 1/4	5 5/8	6 7/8	2 1/4	1 1/4	3/4	3/4	4 1/2	2	1	5/8	7.2	
1 1/2 1 9/16	SPD-24 SPD-25	2-18D 2-19D	2 5/16	8 1/2	5 7/8	7 1/8	2 3/8	1 1/4	3/4	3/4	4 9/16	2 5/16	1 5/32	5/8	7.7	
1 5/8 1 11/16 1 3/4	SPD-26 SPD-27 SPD-28	2-110D 2-111D 2-112D	2 3/8	8 3/4	5 7/8	7 1/8	2 3/8	1 1/4	3/4	3/4	4 5/8	2 3/8	1 3/16	5/8	8.3	
1 7/8 1 15/16	SPD-30 SPD-31	2-114D 2-115D	2 3/4	10 1/2	6 3/4	8 1/2	2 1/2	1 1/2	3/4	7/8	5 5/16	2 1/2	1 1/4	5/8	11.6	
2 2 1/8 2 3/16	SPD-32 SPD-34 SPD-35	2-2D 2-22D 2-23D	3 1/8	11 1/4	7 5/8	9 3/8	2 3/4	1 1/2	3/4	7/8	5 15/16	2 5/8	1 5/16	5/8	14.1	
2 1/4 2 3/8 2 7/16	SPD-36 SPD-38 SPD-39	2-24D 2-26D 2-27D	3 1/8	11 1/2	7 7/8	9 3/8	3	1 1/2	7/8	7/8	6 1/16	3 1/8	1 9/16	3/4	17.0	
2 1/2 2 11/16	SPD-40 SPD-43	3-28D 2-211D	3 3/4	12 5/8	9 3/8	10 5/8	3 3/8	1 3/8	7/8	1	7 1/8	3 1/2	1 3/4	3/4	26.8	
2 7/8 2 15/16	SPD-46 SPD-47	2-214D 2-215D	3 3/4	13	9 1/4	10 3/4	3 3/8	1 1/2	7/8	1	7 3/16	3 1/2	1 3/4	3/4	26.8	
3 3 3/16	SPD-48 SPD-51	3-3D 2-33D	4	14 1/2	10 5/8	12 1/8	3 3/4	1 1/2	7/8	1 1/8	7 13/16	3 7/8	1 15/16	3/4	34.5	

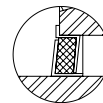
For Load Ratings, see page 45. For Standard Duty Bearing Inserts-Double Lock, see page 44.
See page 188 for custom seals.



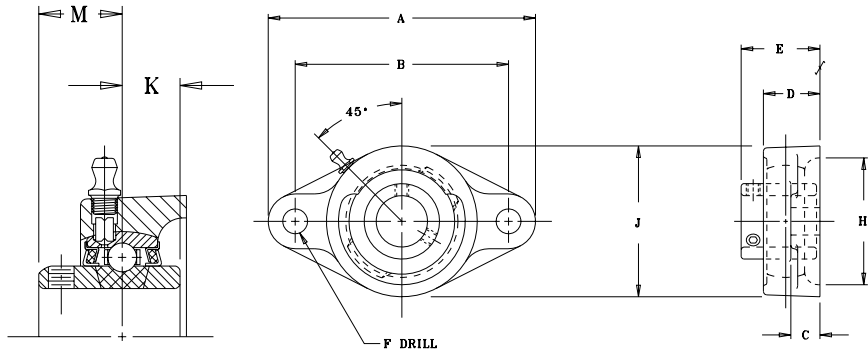
Felt Seal Standard
Positive sealing for low, medium, and high speed operation.



Single Lip Contact Seal
Available on all sizes. Recommended where moisture conditions prevail. To specify, add suffix "C" (NPD-16C).



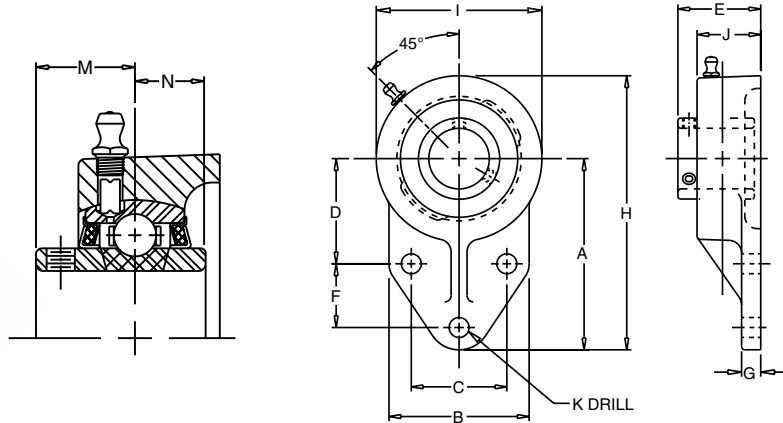
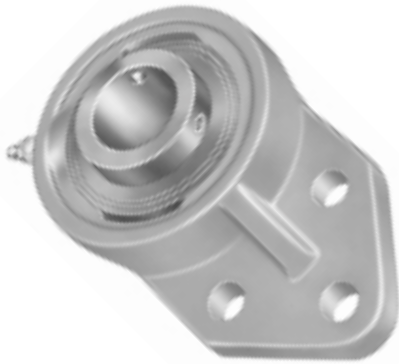
Hi-Temp Seal
Available as an option where operating temperatures are in 250-400° range. (See seal options on page 188).



SFT Series Standard Duty Two-Bolt Flange Units...Setscrew Locking

SHAFT DIAM. IN MM	PART NO.	BRG. NO.	Dimensions in Inches										UNIT WT.
			A	B	C	D	E	F	H CORED	J	K	M	
1/2 9/16 5/8 11/16	SFT-8 SFT-9 SFT-10 SFT-11	2-08 2-09 2-010 2-011	3 7/8	3	7/16	15/16	1 9/32	13/32	1 15/16	2 5/16	1/2	23/32	1.2
3/4 20	SFT-12 SFT-204	2-012 5204	4 13/32	3 17/32	7/16	15/16	1 9/32	13/32	2	2 3/8	1/2	23/32	1.2
13/16 7/8 15/16 1 25	SFT-13 SFT-14 SFT-15 SFT-16 SFT-205	2-013 2-014 2-015 2-1 5205	4 7/8	3 57/64	17/32	1 1/32	1 7/16	15/32	2 3/8	2 3/4	9/16	13/16	1.6
1 1/16 1 1/8 1 3/16 1 1/4 30	SFT-17 SFT-18 SFT-19 SFT-20R SFT-206	2-11 2-12 2-13 1-14 5206	5 9/16	4 19/32	17/32	1 11/64	1 9/16	15/32	2 7/8	3 1/4	5/8	7/8	2.2
1 1/4 1 5/16 1 3/8 1 7/16 35	SFT-20 SFT-21 SFT-22 SFT-23 SFT-207	2-14 2-15 2-16 2-17 5207	6 1/8	5 1/8	9/16	1 11/32	1 3/4	17/32	3 5/16	3 3/4	11/16	1	3.2
1 1/2 1 9/16 40	SFT-24 SFT-25 SFT-208	2-18 2-19 5208	6 3/4	5 21/32	9/16	1 1/2	2 1/64	17/32	3 1/2	4 1/8	3/4	1 3/16	4.5
1 5/8 1 11/16 1 3/4 45	SFT-26 SFT-27 SFT-28 SFT-209	2-110 2-111 2-112 5209	7 1/16	5 27/32	9/16	1 9/16	2 3/64	19/32	3 7/8	4 3/8	3/4	1 3/16	5.0
1 13/16 1 7/8 1 15/16 2 50	SFT-29 SFT-30 SFT-31 SFT-32R SFT-210	2-113 2-114 2-115 1-2 5210	7 7/16	6 3/16	9/16	1 9/16	2 5/32	19/32	4	4 9/16	3/4	1 9/32	5.4
2 2 1/8 2 3/16 55	SFT-32 SFT-34 SFT-35 SFT-211	2-2 2-22 2-23 5211	8 1/2	7 1/4	13/16	1 3/4	2 5/16	21/32	4 1/4	5 1/4	7/8	1-5/16	8.4

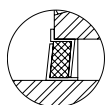
For Load Ratings, see page 45. For Standard Duty Bearing Inserts-Single Lock, see page 43.
See page 27 for seal arrangements.



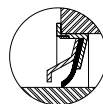
FB Series Standard Duty Three Bolt Single Lock Flange Brackets...Setscrew Locking

SHAFT DIAM.	PART NO.	BRG. NO.	Dimensions in Inches													UNIT WT.
			A	B	C	D	E	F	G	H	I	J	K	M	N	
1/2 9/16 5/8 11/16 3/4 20	FB-8 FB-9 FB-10 FB-11 FB-12 FB-204	2-08 2-09 2-010 2-011 2-012 5204	3	2 3/8	1 1/2	1 11/16	1 11/32	7/8	5/16	4 3/16	2 3/8	63/64	13/32	23/32	1/2	1.3
13/16 7/8 15/16 1 25	FB-13 FB-14 FB-15 FB-16 FB-205	2-013 2-014 2-015 2-1 5205	3 3/8	2 1/2	1 5/8	1 13/16	1 1/2	1 1/8	3/8	4 3/4	2 3/4	1 3/32	13/32	13/16	9/16	2.1
1 1/16 1 1/8 1 3/16 1 1/4 30	FB-17 FB-18 FB-19 FB-20R FB-206	2-11 2-12 2-13 1-14 5206	3 3/4	2 3/4	1 7/8	2 1/16	1 5/8	1 1/4	3/8	5 23/64	3 7/32	1 15/64	13/32	7/8	5/8	3.0
1 1/4 1 5/16 1 3/8 1 7/16 35	FB-20 FB-21 FB-22 FB-23 FB-207	2-14 2-15 2-16 2-17 5207	4 1/4	3 1/4	2	2 3/8	1 7/8	1 1/4	1/2	6 1/8	3 3/4	1 15/32	17/32	1	11/16	3.1
1 13/16 1 7/8 1 15/16 2 50	FB-29 FB-30 FB-31 FB-32R FB-210	2-113 2-114 2-115 1-2 5210	5 3/16	4	2 3/4	2 15/16	2 5/32	1 5/8	1/2	7 15/32	4 9/16	1 33/64	17/32	1 9/32	3/4	5.1

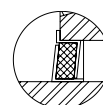
For Load Ratings, see page 45. For Standard Duty Bearing Inserts-Single Lock, see page 43.



Felt Seal Standard
Positive sealing for low, medium, and high speed operation.



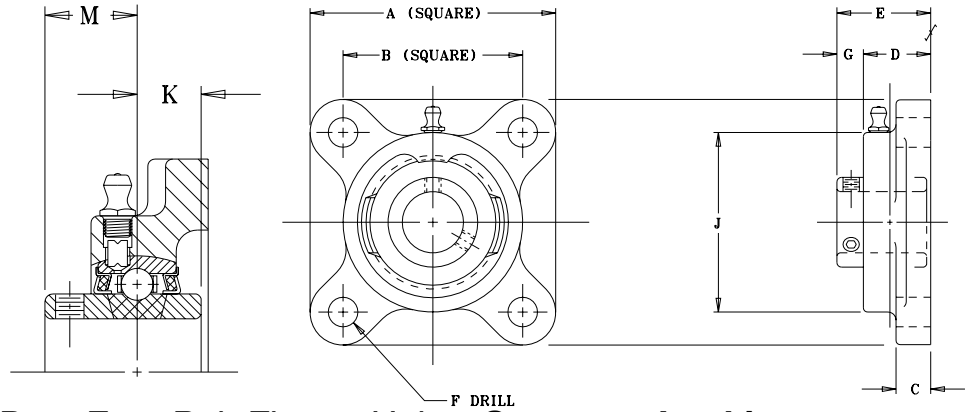
Single Lip Contact Seal
Available on all sizes. Recommended where moisture conditions prevail. To specify, add suffix "C" (FB-16C).



Hi-Temp Seal
Available as an option where operating temperatures are in 250-400° range. (See seal options on page 188).



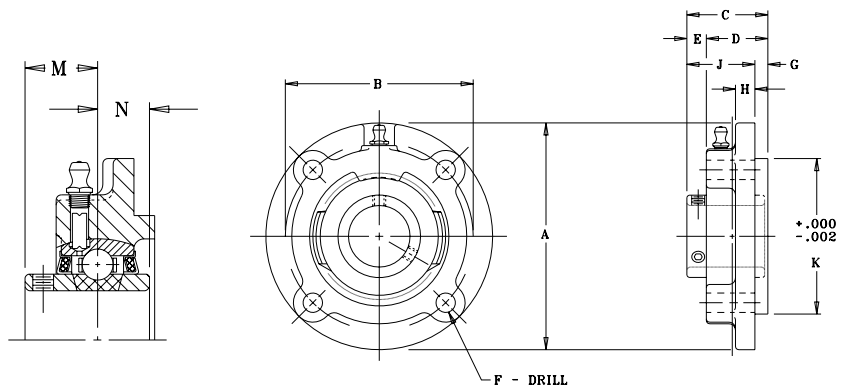
MOUNTED BALL BEARINGS **SEALMASTER®**



SF Series Standard Duty Four-Bolt Flange Units...Setscrew Locking

SHAFT DIAM.	PART NO.	BRG. NO.	Dimensions in Inches										UNIT WT.
			A	B	C	D	E	F	G	J	K	M	
IN	MM												
1/2 9/16 5/8 11/16	SF-8 SF-9 SF-10 SF-11	2-08 2-09 2-010 2-011	3	2 1/8	7/16	15/16	1 9/32	13/32	11/32	2 5/16	1/2	23/32	1.4
3/4 20	SF-12 SF-204	2-012 5204	3 3/8	2 1/2	7/16	15/16	1 9/32	13/32	11/32	2 3/8	1/2	23/32	1.5
13/16 7/8 15/16 1	SF-13 SF-14 SF-15 SF-16 SF-205	2-013 2-014 2-015 2-1 5205	3 3/4	2 3/4	17/32	1 1/32	1 7/16	15/32	13/32	2 23/32	9/16	13/16	2.1
1 1/16 1 1/8 1 3/16 1 1/4 30	SF-17 SF-18 SF-19 SF-20R SF-206	2-11 2-12 2-13 1-14 5206	4 1/4	3 1/4	17/32	1 11/64	1 9/16	15/32	25/64	3 7/32	5/8	7/8	3.6
1 1/4 1 5/16 1 3/8 1 7/16 35	SF-20 SF-21 SF-22 SF-23 SF-207	2-14 2-15 2-16 2-17 5207	4 5/8	3 5/8	9/16	1 11/32	1 3/4	17/32	13/32	3 23/32	11/16	1	4.1
1 1/2 1 9/16 40	SF-24 SF-25 SF-208	2-18 2-19 5208	5 1/8	4	9/16	1 1/2	2 1/64	17/32	33/64	4 5/64	3/4	1 3/16	5.5
1 5/8 1 11/16 1 3/4 45	SF-26 SF-27 SF-28 SF-209	2-110 2-111 2-112 5209	5 3/8	4 1/8	9/16	1 9/16	2 3/64	19/32	31/64	4 21/64	3/4	1 3/16	5.7
1 13/16 1 7/8 1 15/16 2 50	SF-29 SF-30 SF-31 SF-32R SF-210	2-113 2-114 2-115 1-2 5210	5 5/8	4 3/8	9/16	1 9/16	2 5/32	19/32	19/32	4 9/16	3/4	1 9/32	6.4
2 2 1/8 2 3/16 55	SF-32 SF-34 SF-35 SF-211	2-2 2-22 2-23 5211	6 3/8	5 1/8	13/16	1 3/4	2 5/16	21/32	9/16	5 1/4	7/8	1 5/16	10.5
2 1/4 2 3/8 2 7/16 60	SF-36 SF-38 SF-39 SF-212	2-24 2-26 2-27 5212	6 7/8	5 5/8	13/16	1 15/16	2 11/16	21/32	3/4	5 7/16	1	1 9/16	11.8
2 1/2 2 11/16 70	SF-40 SF-43 SF-214	3-28 2-211 5214	7 3/8	5 7/8	11/16	2 5/16	3	21/32	11/16	6 1/8	1 1/16	1 11/16	16.4
2 7/8 2 15/16 75	SF-46 SF-47 SF-215	2-214 2-215 5215	7 3/4	6	1	2 3/8	3 3/16	25/32	13/16	6 1/2	1 5/16	1 3/4	19.4

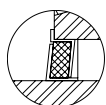
SEALMASTER[®] MOUNTED BALL BEARINGS



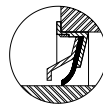
SFC Series Standard Duty Flange Cartridge Units...Setscrew Locking

SHAFT DIAM. IN MM	PART NO.	BRG. NO.	Dimensions in Inches												UNIT WT.
			A	B	C	D	E	F	G	H	J	K	M	N	
1 1/8 1 3/16 1 1/4 30	SFC-18 SFC-19 SFC-20R SFC-206	2-12 2-13 1-14 5206	4 3/8	3 5/8	1 9/16	1 3/16	3/8	3/8	1/4	3/8	1 5/16	3.000	7/8	5/8	3.0
1 1/4 1 5/16 1 3/8 1 7/16 35	SFC-20 SFC-21 SFC-22 SFC-23 SFC-207	2-14 2-15 2-16 2-17 5207	5	4 1/8	1 11/16	1 1/4	7/16	7/16	3/8	3/8	1 5/16	3.375	1	11/16	3.9
1 1/2 1 9/16 40	SFC-24 SFC-25 SFC-208	2-18 2-19 5208	5 1/4	4 3/8	1 15/16	1 15/32	15/32	7/16	7/16	7/16	1 1/2	3.625	1 3/16	3/4	4.7
1 5/8 1 11/16 1 3/4 45	SFC-26 SFC-27 SFC-28 SFC-209	2-110 2-111 2-112 5209	6 1/8	5 1/8	1 15/16	1 7/16	1/2	1/2	7/16	7/16	1 1/2	4.250	1 3/16	3/4	6.0
1 7/8 1 15/16 2 50	SFC-30 SFC-31 SFC-32R SFC-210	2-114 2-115 1-2 5210	6 1/8	5 1/8	2 1/32	1 15/32	9/16	1/2	15/32	7/16	1 9/16	4.250	1 9/32	3/4	6.5
2 2 1/8 2 3/16 55	SFC-32 SFC-34 SFC-35 SFC-211	2-2 2-22 2-23 5211	6 3/8	5 3/8	2 3/16	1 5/8	9/16	1/2	5/8	7/16	1 9/16	4.500	1 5/16	7/8	7.5
2 1/4 2 3/8 2 7/16 60	SFC-36 SFC-38 SFC-39 SFC-212	2-24 2-26 2-27 5212	7 1/8	6	2 9/16	1 7/8	11/16	9/16	7/8	1/2	1 11/16	5.000	1 9/16	1	10.5
2 11/16 70	SFC-43 SFC-214	2-211 5214	7 5/8	6 1/2	2 7/8	2 3/16	11/16	9/16	1 1/8	9/16	1 3/4	5.500	1 11/16	1 1/16	14.0
2 7/8 2 15/16 75	SFC-46 SFC-47 SFC-215	2-214 2-215 5215	8 3/4	7 1/2	3 1/16	2 5/16	3/4	11/16	1 1/16	9/16	2	6.375	1 3/4	1 5/16	18.7
3 3/16 80	SFC-51 SFC-216	2-33 5216	8 3/4	7 1/2	3 1/4	2 7/16	13/16	11/16	1 1/4	5/8	2	6.375	1 15/16	1 5/16	20.0

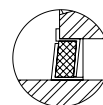
For Load Ratings, see page 45. For Standard Duty Bearing Inserts-Single Lock, see page 43.



Felt Seal Standard
Positive sealing for low, medium, and high speed operation.



Single Lip Contact Seal
Available on all sizes. Recommended where moisture conditions prevail. To specify, add suffix "C" (SFC-16C).

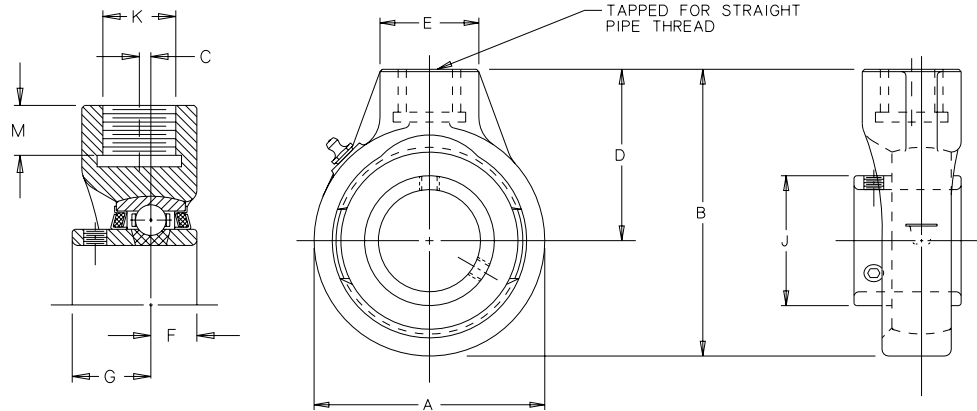


Hi-Temp Seal
Available as an option where operating temperatures are in 250-400° range. (See seal options on page 188).



MOUNTED BALL BEARINGS

SEALMASTER®



SEHB Series Hanger Bearing For Eccentric Drives...Setscrew Locking

SHAFT DIAM. IN MM	SERIES	PART NO.	BRG. NO.	Dimensions In Inches								*K Pipe Tap N.P.S.M.	M Thread Length	Unit Wt.
				A	B	C	D	E	F	G	J Approx			
15/16 25 1 1 1/16 30	2-13	SEHB-15 SEHB-305 SEHB-16 SEHB-18 SEHB-206	3-015 5305 3-1 2-12 5206	3 1/8	4 1/16	—	2 1/2	1 9/16	5/8	7/8	1 19/32	3/4 - 14	13/16	2.2
1 3/16 1 1/4 1 5/16 1 3/8 35	2-17	SEHB-19 SEHB-20 SEHB-21 SEHB-22 SEHB-207	3-13 2-14 2-15 2-16 5207	3 5/8	4 9/16	—	2 3/4	1 9/16	11/16	1	1 55/64	3/4 - 14	3/4	3.1
1 7/16 1 1/2 1 9/16 40	2-19	SEHB-23 SEHB-24 SEHB-25 SEHB-208	3-17 2-18 2-19 5208	3 3/4	4 3/4	3/32	2 7/8	1 9/16	3/4	1 3/16	2 1/16	3/4 - 14	3/4	3.4
1 11/16 1 3/4 1 7/8 1 15/16 2 50	2-115	SEHB-27 SEHB-28 SEHB-30 SEHB-31 SEHB-32 SEHB-210	3-111 3-112 2-114 2-115 1-2 5210	4 3/8	5 7/16	3/16	3 1/4	1 7/8	3/4	1 9/32	2 15/32	1 - 11 1/2	13/16	4.5
2 3/16 2 1/4 2 3/8 2 7/16 60	2-27	SEHB-35 SEHB-36 SEHB-38 SEHB-39 SEHB-212	3-23 2-24 2-26 2-27 5212	5 5/8	6 13/16	11/32	4	2 5/16	1	1 9/16	2 63/64	1 1/4 - 11 1/2	1 1/8	9.0
2 11/16 2 7/8 2 15/16 75	2-215	SEHB-43 SEHB-46 SEHB-47 SEHB-215	3-211 2-214 2-215 5215	6 1/2	7 7/8	3/8	4 5/8	2 3/4	1 5/16	1 3/4	3 41/64	1 1/2 - 11 1/2	1 1/4	14.6
3 3 3/16 80	2-33	SEHB-48 SEHB-51 SEHB-216	3-3 2-33 5216	6 7/8	8 5/16	5/16	4 7/8	2 13/16	1 5/16	1 15/16	3 59/64	1 1/2 - 11 1/2	1 1/4	16.8
3 15/16 4 100	2-43	SEHB-63 SEHB-64 SEHB-320	3-315 3-4 5320	10 1/4	13 1/4	—	8 1/8	4 3/8	1 15/16	2 11/16	5 11/64	2 1/2-8 1/2	2 5/8	62.0

For Load Ratings, see page 45.

For Standard Duty Bearing Inserts-Single Lock, see page 43.

* Use Straight Pipe Thread.

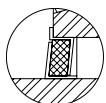
Note: Units may be provided with tight internal and housing fits by adding suffix **BDZ** to Part No., as **SEHB-19 BDZ**



Single Lip Contact Seal

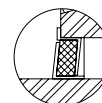
Available on all sizes. Recommended where moisture conditions prevail.

To specify, add suffix "C" (SEHB-16C).



Felt Seal Standard

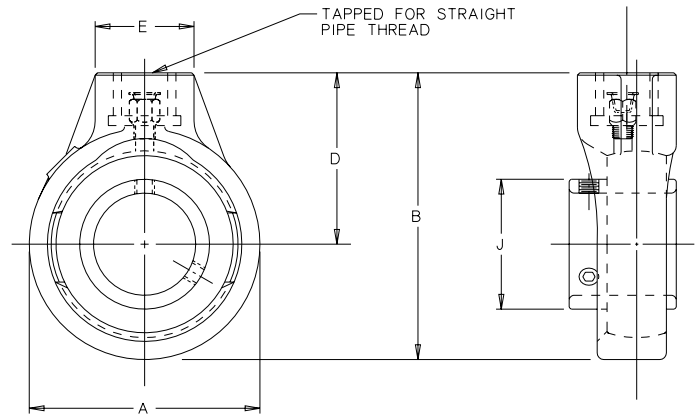
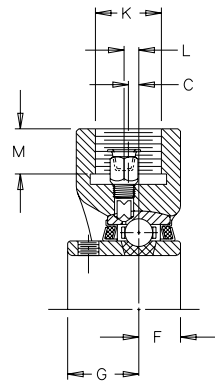
Positive sealing for low, medium, and high speed operation.



Hi-Temp Seal

Available as an option where operating temperatures are in 250-400° range.

(See seal options on page 188).



SCHB Series Hanger Bearing For Screw Conveyors...Setscrew Locking

SHAFT DIAM.	SERIES	PART NO.	BRG. NO.	Dimensions In Inches								*K Pipe Tap N.P.S.M.	M Thread Length	L Brg. to Lub.Ftg. Centers	Unit Wt.
				A	B	C	D	E	F	G	J Approx				
15/16 1 1 1/16 25 30	2-13	SCHB-15 SCHB-305 SCHB-16 SCHB-18 SCHB-206	3-015 5305 3-1 2-12 5206	3 1/8	4 1/16	—	2 1/2	1 9/16	5/8	7/8	1 19/32	3/4" - 14	3/4	♦7/32	2.2
1 3/16 1 1/4 1 5/16 1 3/8 35	2-17	SCHB-19 SCHB-20 SCHB-21 SCHB-22 SCHB-207	3-13 2-14 2-15 2-16 5207	3 5/8	4 9/16	—	2 3/4	1 9/16	11/16	1	1 55/64	3/4" - 14	3/4	♦1/4	3.1
1 7/16 1 1/2 1 9/16 40	2-19	SCHB-23 SCHB-24 SCHB-25 SCHB-208	3-17 2-18 2-19 5208	3 3/4	4 3/4	3/32	2 7/8	1 9/16	3/4	1 3/16	2 1/16	3/4" - 14	3/4	♦19/64	3.4
1 11/16 1 3/4 1 7/8 1 15/16 2 50	2-115	SCHB-27 SCHB-28 SCHB-30 SCHB-31 SCHB-32 SCHB-210	3-111 3-112 2-114 2-115 1-2 5210	4 3/8	5 7/16	3/16	3 1/4	1 7/8	3/4	1 9/32	2 15/32	1" - 11 1/2	13/16	17/64	4.5
2 3/16 2 1/4 2 3/8 2 7/16 60	2-27	SCHB-35 SCHB-36 SCHB-38 SCHB-39 SCHB-212	3-23 2-24 2-26 2-27 5212	5 5/8	6 13/16	11/32	4	2 5/16	1	1 9/16	2 63/64	1 1/4" - 11 1/2	1 1/8	21/64	9.0
2 11/16 2 7/8 2 15/16 75	2-215	SCHB-43 SCHB-46 SCHB-47 SCHB-215	3-211 2-214 2-215 5215	6 1/2	7 7/8	3/8	4 5/8	2 3/4	1 5/16	1 3/4	3 41/64	1 1/2" - 11 1/2	1 1/4	3/8	14.6
3 3 3/16 80	2-33	SCHB-48 SCHB-51 SCHB-216	SK-110 2-33 5216	6 7/8	8 5/16	5/16	4 7/8	2 13/16	1 5/16	1 15/16	3 59/64	1 1/2" - 11 1/2	1 1/4	13/32	16.8
3 15/16 4 100	2-43	SCHB-63 SCHB-64 SCHB-320	3-315 3-4 5320	10 1/4	13 1/4	—	8 1/8	4 3/8	1 15/16	2 11/16	5 11/64	2 1/2" - 8 1/2	2 5/8	15/32	62.0

For Load Ratings, see page 45. For Standard Duty Bearing Inserts-Single Lock, see page 43.

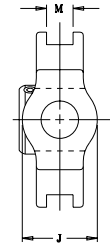
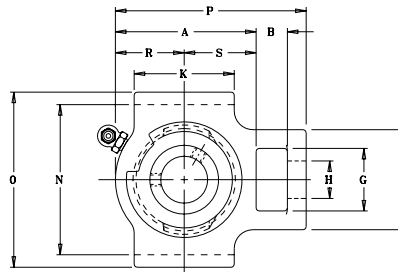
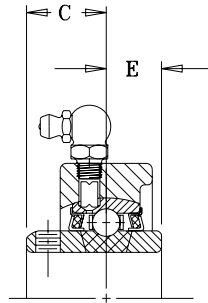
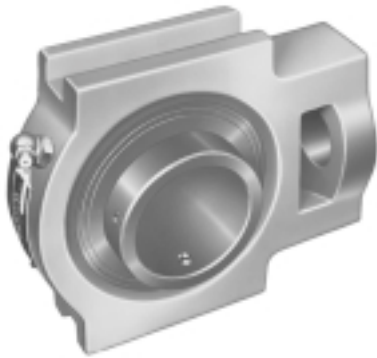
♦ No Adaptor or Fitting

* Use Straight Pipe Thread

See page 30 for seal arrangements.



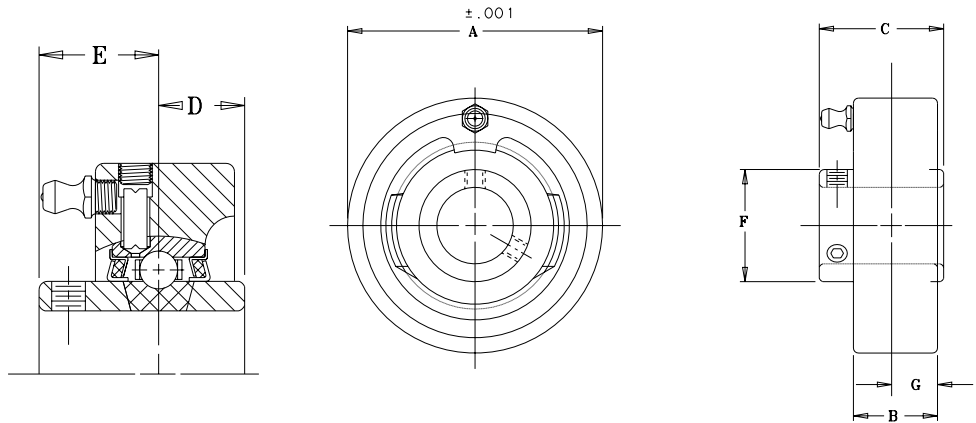
MOUNTED BALL BEARINGS SEALMASTER®



ST Series Standard Duty Take-Up Units...Setscrew Locking

SHAFT DIAM.	PART NO.	BRG. NO.	Dimensions in Inches														UNIT WT.		
			A	B	C	E	F	G	H Core	J Hub	K	M	N	O	P	R		S	
IN	MM																		
1/2 9/16 5/8 11/16 3/4	20	ST-8 ST-9 ST-10 ST-11 ST-12 ST-204	2-08 2-09 2-010 2-011 2-012 5204	2 11/16	5/8	23/32	1/2	2	1 1/4	3/4	1 3/8	2	17/32	3	3 1/2	3 11/16	1 5/16	1 3/8	2.1
13/16 7/8 15/16 1	25	ST-13 ST-14 ST-15 ST-16 ST-205	2-013 2-014 2-015 2-1 5205	2 13/16	5/8	13/16	9/16	2	1 1/4	3/4	1 1/2	2	17/32	3	3 1/2	3 13/16	1 3/8	1 7/16	2.6
1 1/16 1 1/8 1 3/16 1 1/4	30	ST-17 ST-18 ST-19 ST-20R ST-206	2-11 2-12 2-13 1-14 5206	3 7/16	5/8	7/8	5/8	2 3/16	1 7/16	7/8	1 3/4	2 1/4	17/32	3 1/2	4	4 7/16	1 11/16	1 3/4	3.4
1 1/4 1 5/16 1 3/8 1 7/16	35	ST-20 ST-21 ST-22 ST-23 ST-207	2-14 2-15 2-16 2-17 5207	3 15/16	5/8	1	11/16	2 1/2	1 7/16	7/8	1 3/4	2 1/2	17/32	3 1/2	4	5 1/16	2	1 15/16	4.0
1 1/2 1 9/16	40	ST-24 ST-25 ST-208	2-18 2-19 5208	4 5/16	3/4	1 3/16	3/4	3 1/4	1 15/16	1 1/8	2 1/8	3 1/4	11/16	4	4 1/2	5 11/16	2 3/16	2 1/8	6.0
1 5/8 1 11/16 1 3/4	45	ST-26 ST-27 ST-28 ST-209	2-110 2-111 2-112 5209	4 5/16	3/4	1 3/16	3/4	3 1/4	1 15/16	1 1/8	2 3/16	3 1/4	11/16	4	4 5/8	5 11/16	2 1/4	2 1/16	6.0
1 13/16 1 7/8 1 15/16 2	50	ST-29 ST-30 ST-31 ST-32R ST-210	2-113 2-114 2-115 1-2 5210	4 1/2	3/4	1 9/32	3/4	3 1/4	1 15/16	1 1/8	2 3/16	3 3/8	11/16	4	4 5/8	5 7/8	2 5/16	2 3/16	6.0
2 2 1/8 2 3/16	55	ST-32 ST-34 ST-35 ST-211	2-2 2-22 2-23 5211	5	1	1 5/16	7/8	4	2 1/2	1 3/8	2 1/4	3 3/4	1 1/16	5 1/8	5 3/4	6 3/4	2 9/16	2 7/16	9.8
2 1/4 2 3/8 2 7/16	60	ST-36 ST-38 ST-39 ST-212	2-24 2-26 2-27 5212	5 5/8	1 1/4	1 9/16	1	4	2 1/2	1 3/8	2 3/8	4	1 1/16	5 1/8	5 3/4	7 5/8	2 15/16	2 11/16	12.3
2 1/2 2 11/16	70	ST-40 ST-43 ST-214	3-28 2-211 5214	6 3/4	1 1/4	1 11/16	1 1/16	4 3/8	2 3/4	1 5/8	3 3/8	4 3/4	1 1/16	5 15/16	6 9/16	8 13/16	3 7/16	3 5/16	19.0
2 7/8 2 15/16	75	ST-46 ST-47 ST-215	2-214 2-215 5215	7 1/16	1 1/4	1 3/4	1 5/16	4 3/8	2 3/4	1 5/8	3 3/8	4 3/4	1 1/16	5 15/16	6 9/16	9 1/8	3 5/8	3 7/16	19.0
3 3/16	80	ST-51 ST-216	2-33 5216	7 3/16	1 1/4	1 15/16	1 5/16	4 3/8	2 3/4	1 5/8	3 3/8	4 3/4	1 1/16	6 1/2	7 1/4	9 1/4	3 3/4	3 7/16	22.1
3 1/4 3 3/8 3 7/16		ST-52 ST-54 ST-55	2-34 2-36 2-37	7 5/8	1 1/2	2 1/32	1 11/32	4 7/8	2 7/8	1 7/8	3 1/2	6 3/16	1 13/16	6 13/16	7 13/16	10 1/4	3 7/8	3 3/4	31.4

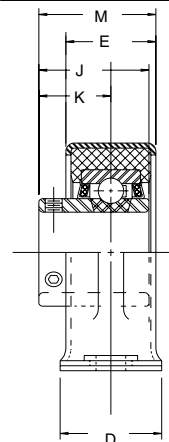
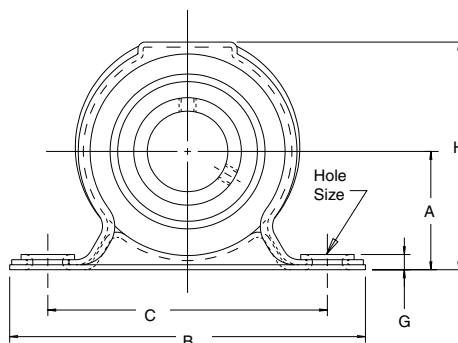
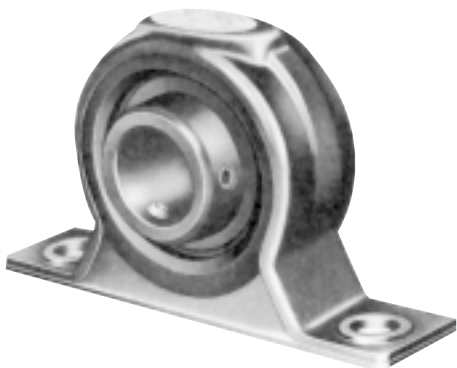
For Load Ratings, see page 45. For Standard Duty Bearing Inserts-Single Lock, see page 43. For Take-Up Frames, see pages 36 & 37. See page 30 for seal arrangements. For custom seals see page 188.



SC Series Standard Duty Cartridge Units...Setscrew Locking

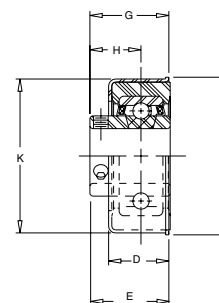
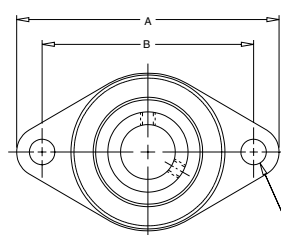
SHAFT DIAM.	PART NO.	BRG. NO.	Dimensions In Inches							UNIT WT.
			A	B	C	D	E	F	G	
1/2 9/16 5/8 11/16	SC-8 SC-9 SC-10 SC-11	2-08 2-09 2-010 2-011	2 11/16	7/8	1 7/32	1/2	23/32	1 3/16	15/32	1.1
3/4 20	SC-12 SC-204	2-012 5204	2 15/16	7/8	1 7/32	1/2	23/32	1 3/16	15/32	1.4
13/16 7/8 15/16 1 25	SC-13 SC-14 SC-15 SC-16 SC-205	2-013 2-014 2-015 2-1 5205	3 1/8	1 1/32	1 3/8	9/16	13/16	1 3/8	9/16	1.9
1 1/16 1 1/8 1 3/16 1 1/4 30	SC-17 SC-18 SC-19 SC-20R SC-206	2-11 2-12 2-13 1-14 5206	3 1/2	1 3/32	1 1/2	5/8	7/8	1 19/32	9/16	2.5
1 1/4 1 5/16 1 3/8 1 7/16 35	SC-20 SC-21 SC-22 SC-23 SC-207	2-14 2-15 2-16 2-17 5207	3 7/8	1 7/32	1 11/16	11/16	1	1 55/64	5/8	3.2
1 1/2 1 9/16 40	SC-24 SC-25 SC-208	2-18 2-19 5208	4 3/16	1 15/32	1 15/16	3/4	1 3/16	2 1/16	3/4	4.1
1 5/8 1 11/16 1 3/4 45	SC-26 SC-27 SC-28 SC-209	2-110 2-111 2-112 5209	4 3/8	1 7/16	1 15/16	3/4	1 3/16	2 19/64	23/32	4.5
1 13/16 1 7/8 1 15/16 2 50	SC-29 SC-30 SC-31 SC-32R SC-210	2-113 2-114 2-115 1-2 5210	4 9/16	1 15/32	2 1/32	3/4	1 9/32	2 15/32	3/4	4.9
2 2 1/8 2 3/16 55	SC-32 SC-34 SC-35 SC-211	2-2 2-22 2-23 5211	4 15/16	1 19/32	2 3/16	7/8	1 5/16	2 23/32	27/32	5.8
2 1/4 2 3/8 2 7/16 60	SC-36 SC-38 SC-39 SC-212	2-24 2-26 2-27 5212	5 7/8	1 5/8	2 9/16	1	1 9/16	2 63/64	13/16	9.0
2 1/2 2 11/16 70	SC-40 SC-43 SC-214	3-28 2-211 5214	6 1/4	2	2 3/4	1 1/16	1 11/16	3 7/16	1	12.6
2 7/8 2 15/16 75	SC-46 SC-47 SC-215	2-214 2-215 5215	6 5/8	2	3 1/16	1 5/16	1 3/4	3 41/64	1	13.5

For Load Ratings, see page 45. For Standard Duty Bearing Inserts-Single Lock, see page 43. See page 30 for seal arrangements. For custom seals see page 188.



SRP Series Standard Duty Rubber Mounted Pillow Blocks...Setscrew Locking

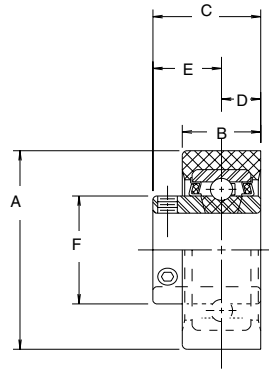
SHAFT DIA.		MAX. STEADY RADIAL LOADS LBS.	PART NUMBER	INSERT NUMBER	Dimensions In Inches											BOLT SIZE	UNIT WT.
IN	MM				A	B	C	D	E	HOLE SIZE	G	H	J	K	M		
1/2 5/8 3/4	20	200	SRP-8 SRP-10 SRP-12 SRP-204	SRC-8 SRC-10 SRC-12 RB-204	1 1/2	4 3/4	3 5/8	1 5/16	1 1/8	7/16	11/64	2 13/16	1 9/32	7/8	1 7/16	3/8	.85
7/8 15/16 1	25	200	SRP-14 SRP-15 SRP-16 SRP-205	SRC-14 SRC-15 SRC-16 RB-205	1 1/2	4 3/4	3 5/8	1 5/16	1 1/8	7/16	11/64	2 13/16	1 3/8	7/8	1 7/16	3/8	1.00
1 1/16 1 1/8 1 3/16 1 1/4	30	300	SRP-17 SRP-18 SRP-19 SRP-20R SRP-206	SRC-17 SRC-18 SRC-19 SRC-20R RB-206	1 3/4	5 1/4	4 1/8	1 1/2	1 11/32	7/16	1/4	3 3/8	1 5/8	1 1/16	1 47/64	3/8	1.60



SRF Series Standard Duty Rubber Mounted Flange Blocks...Setscrew Locking

SHAFT DIA.		MAX. STEADY RADIAL LOADS LBS.	PART NUMBER	INSERT NUMBER	Dimensions In Inches								BOLT SIZE	UNIT WT.	
IN	MM				A	B	D	E	HOLE SIZE	G	H	J			K
1/2 5/8 3/4	20	400	SRF-8 SRF-10 SRF-12 SRF-204	SRC-8 SRC-10 SRC-12 SRC-204	4 1/2	3 5/8	1 1/16	1 9/32	7/16	1 13/32	7/8	2 45/64	2 41/64	3/8	.75
7/8 15/16 1	25	400	SRF-14 SRF-15 SRF-16 SRF-205	SRC-14 SRC-15 SRC-16 SRC-205	4 1/2	3 5/8	1 1/16	1 3/8	7/16	1 13/32	7/8	2 45/64	2 41/64	3/8	.85
1 1/16 1 1/8 1 3/16 1 1/4	30	600	SRF-17 SRF-18 SRF-19 SRF-20R SRF-206	SRC-17 SRC-18 SRC-19 SRC-20R SRC-206	5 3/8	4 3/8	1 1/4	1 5/8	1/2	1 21/32	1 1/16	3 1/2	3 1/4	7/16	1.50

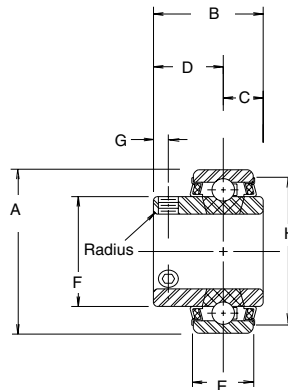
Maximum steady radial load is based upon the housing strength and materials composition. Thrust load ratings 40% of radial loads.



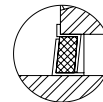
SRC Series Standard Duty Rubber Mounted Cartridge Units... Setscrew Locking

SHAFT DIA.		MAX. STEADY RADIAL LOADS LBS.	PART NUMBER	INSERT NUMBER	Dimensions In Inches						UNIT WT.
IN	MM				A	B	C	D	E	F	
1/2 5/8 3/4	20	200	SRC-8 SRC-10 SRC-12 SRC-204	RB-8 RB-10 RB-12 RB-204	2 17/32	1	1 9/32	13/32	7/8	1 3/16	.60
7/8 15/16 1	25	200	SRC-14 SRC-15 SRC-16 SRC-205	RB-14 RB-15 RB-16 RB-205	2 17/32	1	1 3/8	1/2	7/8	1 3/8	.65
1 1/16 1 1/8 1 3/16 1 1/4	30	300	SRC-17 SRC-18 SRC-19 SRC-20R SRC-206	RB-17 RB-18 RB-19 RB-20R RB-206	3 3/32	1 3/16	1 5/8	9/16	1 1/16	1 19/32	1.00

Maximum steady radial load is based upon the housing strength and materials composition. Thrust load ratings 40% of radial loads.



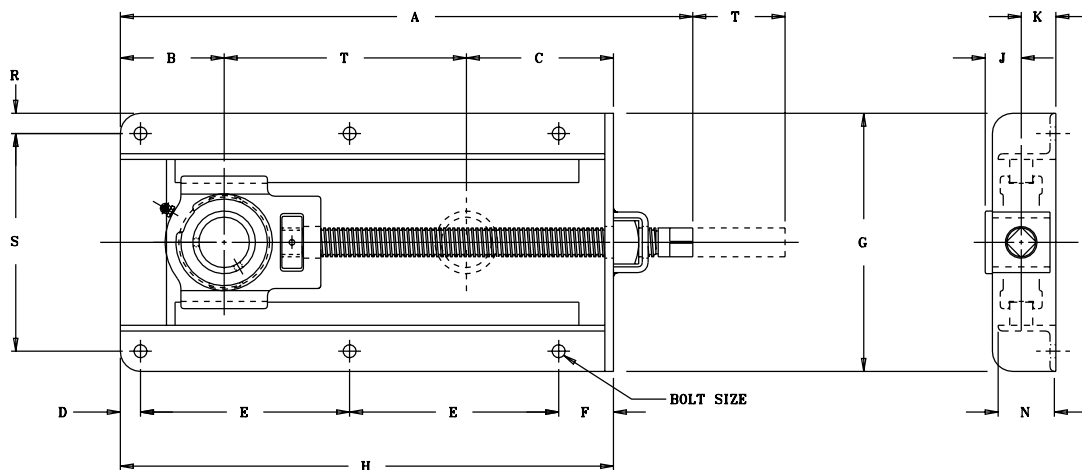
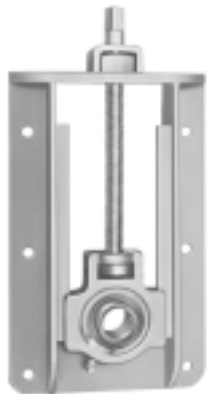
The "RB" Bearing assembly is used as a bearing insert in the "SRP" Rubber mounted Pillow Blocks and the "SRF" Rubber mounted two-bolt flange units. The bearing assembly is permanently sealed and lubricated for life.



Felt Seal Standard
Positive sealing for low, medium, and high speed operation.

RB Series Bearing Assemblies

SHAFT DIA.		PART NUMBER	Dimensions In Inches										Set Screw Tap	UNIT WT.
IN	MM		A	B	C	D	E	F	G	Radius	H			
1/2 5/8 3/4	20	RB-8 RB-10 RB-12 RB-204	47mm 1.850	1 9/32	13/32	7/8	5/8	1 3/16	3/16	.040	1 5/8	1/4-28	.50	
7/8 15/16 1	25	RB-14 RB-15 RB-16 RB-205	52mm 2.047	1 3/8	1/2	7/8	3/4	1 3/8	3/16	.040	1 55/64	1/4-28	.60	
1 1/16 1 1/8 1 3/16 1 1/4	30	RB-17 RB-18 RB-19 RB-20R RB-206	62mm 2.441	1 5/8	9/16	1 1/16	7/8	1 19/32	7/32	.040	2 5/32	1/4-28	.90	

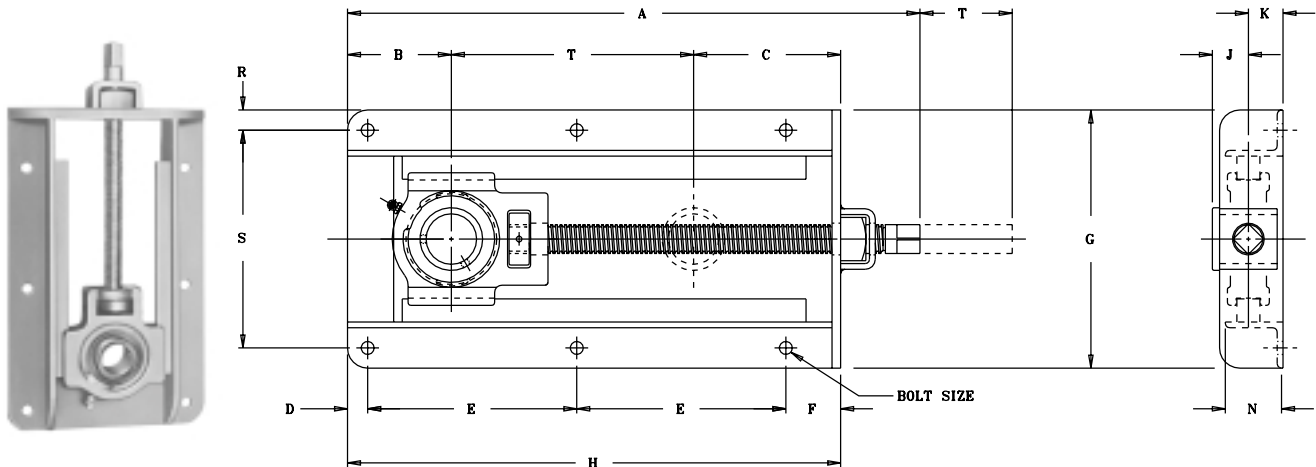


STH Series Style "H" Steel Frame Take-Ups...Setscrew Locking

SHAFT DIAM. IN MM	PART NO.	BRG. NO.	Dimensions in Inches														BOLT SIZE	UNIT WT.
			T	A	B	C	D	E	F	G	H	J	K	N	R	S		
7/8 15/16 1 25	STH-14-6 STH-15-6 STH-16-6 STH-205-6	2-014 2-015 2-1 5205	6	15	3 1/4	3 1/4	3/4	4 5/8	2 1/2	7 9/16	12 1/2	13/16	1 1/8	1 3/4	3/4	6 1/16	3/8	11.6
7/8 15/16 1 25	STH-14-9 STH-15-9 STH-16-9 STH-205-9	2-014 2-015 2-1 5205	9	18	3 1/4	3 1/4	3/4	6 1/8	2 1/2	7 9/16	15 1/2	13/16	1 1/8	1-3/4	3/4	6 1/16	3/8	13.6
1 1/8 1 3/16 30	STH-18-6 STH-19-6 STH-206-6	2-12 2-13 5206	6	16 1/8	3 3/4	3 1/2	3/4	5	2 1/2	8 1/16	13 1/4	7/8	1 1/4	1-3/4	3/4	6 9/16	3/8	14.1
1 1/8 1 3/16 30	STH-18-9 STH-19-9 STH-206-9	2-12 2-13 5206	9	19 1/8	3 3/4	3 1/2	3/4	6 1/2	2 1/2	8 1/16	16 1/4	7/8	1 1/4	1-3/4	3/4	6 9/16	3/8	16.0
1 1/4 1 3/8 1 7/16 35	STH-20-9 STH-22-9 STH-23-9 STH-207-9	2-14 2-16 2-17 5207	9	19 11/16	4	3 7/8	3/4	6 13/16	2 1/2	8 1/16	16 7/8	1	1 1/4	1-3/4	3/4	6 9/16	3/8	17.4
1 1/4 1 3/8 1 7/16 35	STH-20-12 STH-22-12 STH-23-12 STH-207-12	2-14 2-16 2-17 5207	12	22 11/16	4	3 7/8	3/4	8 5/16	2 1/2	8 1/16	19 7/8	1	1 1/4	1-3/4	3/4	6 9/16	3/8	19.5
1 1/2 1 9/16 40 1 5/8 1 11/16 1 3/4 45	STH-24-12 STH-25-12 STH-208-12 STH-26-12 STH-27-12 STH-28-12 STH-209-12	2-18 2-19 5208 2-110 2-111 2-112 5209	12	23 9/16	4 1/4	4 1/4	7/8	8 9/16	2 1/2	9 5/16	20 1/2	1 3/16	1 3/8	2	7/8	7 9/16	3/8	27.2
1 1/2 1 9/16 40 1 5/8 1 11/16 1 3/4 45	STH-24-18 STH-25-18 STH-208-18 STH-26-18 STH-27-18 STH-28-18 STH-209-18	2-18 2-19 5208 2-110 2-111 2-112 5209	18	29 9/16	4 1/4	4 1/4	7/8	11 9/16	2 1/2	9 5/16	26 1/2	1 3/16	1 3/8	2	7/8	7 9/16	3/8	32.0

The STH series style H, are side mounting frame take-up units designed to incorporate either the ST or MST series take-up units (see pages 32 & 58), as indicated in the accompanying charts. They are used where shaft adjustment and/or belt tightening is required in conveyor applications. They are manufactured from heavy gauge structural steel members and equipped with heavy duty Acme (square) threads for positive action. Adjustment is made by turning the square head with an open end wrench.

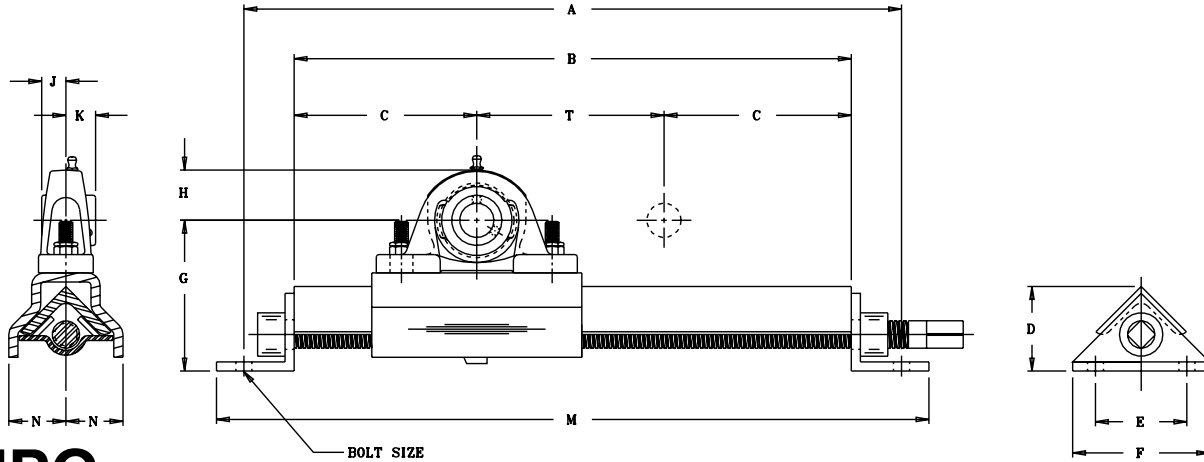
Part numbers shown include standard duty take-up bearing (see page 32).



STH Series Style "H" Steel Frame Take-Ups...Setscrew Locking

SHAFT DIAM. IN MM	PART NO.	BRG. NO.	Dimensions in Inches													BOLT SIZE	UNIT WT.	
			T	A	B	C	D	E	F	G	H	J	K	N	R			S
1 7/8 1 15/16 50	STH-30-12 STH-31-12 STH-210-12	2-114 2-115 5210	12	23 11/16	4 1/4	4 3/8	7/8	8 5/8	2 1/2	9 5/16	20 5/8	1 9/32	1 3/8	2	7/8	7 9/16	1/2	27.2
1 7/8 1 15/16 50	STH-30-18 STH-31-18 STH-210-18	2-114 2-115 5210	18	29 11/16	4 1/4	4 3/8	7/8	11 5/8	2 1/2	9 5/16	26 5/8	1 9/32	1 3/8	2	7/8	7 9/16	1/2	33.0
2 2 1/8 2 3/16 55	STH-32-12 STH-34-12 STH-35-12 STH-211-12	2-2 2-22 2-23 5211	12	24 13/16	4 1/2	4 7/8	7/8	9 1/16	2 3/8	11 3/16	21 3/8	1 5/16	1 1/2	2 1/2	7/8	9 7/16	1/2	41.6
2 2 1/8 2 3/16 55	STH-32-18 STH-34-18 STH-35-18 STH-211-18	2-2 2-22 2-23 5211	18	30 13/16	4 1/2	4 7/8	7/8	12 1/16	2 3/8	11 3/16	27 3/8	1 5/16	1 1/2	2 1/2	7/8	9 7/16	1/2	50.6
2 1/4 2 3/8 2 7/16 60	STH-36-12 STH-38-12 STH-39-12 STH-212-12	2-24 2-26 2-27 5212	12	25 9/16	5	5 3/8	7/8	9 9/16	2 3/8	11 3/16	22 3/8	1 9/16	1 1/2	2 1/2	7/8	9 7/16	1/2	45.0
2 1/4 2 3/8 2 7/16 60	STH-36-18 STH-38-18 STH-39-18 STH-212-18	2-24 2-26 2-27 5212	18	31 9/16	5	5 3/8	7/8	12 9/16	2 3/8	11 3/16	28 3/8	1 9/16	1 1/2	2 1/2	7/8	9 7/16	1/2	53.0
2 1/2 2 11/16 70 2 7/8 2 15/16 75	STH-40-12 STH-43-12 STH-214-12 STH-46-12 STH-47-12 STH-215-12	3-28 2-211 5214 2-214 2-215 5215	12	27 1/2	5 11/16	6 3/16	7/8	10 1/4	2 1/2	12	23 7/8	1 11/16 1 3/4	2	3	7/8	10 1/4	5/8	62.5
2 1/2 2 11/16 70 2 7/8 2 15/16 75	STH-40-18 STH-43-18 STH-214-18 STH-46-18 STH-47-18 STH-215-18	3-28 2-211 5214 2-214 2-215 5215	18	33 1/2	5 11/16	6 3/16	7/8	13 1/4	2 1/2	12	29 7/8	1 11/16 1 3/4	2	3	7/8	10 1/4	5/8	73.7

The STH series style H, are side mounting frame take-up units designed to incorporate either the ST or MST series take-up units (see pages 32 & 58), as indicated in the accompanying charts. They are used where shaft adjustment and/or belt tightening is required in conveyor applications. They are manufactured from heavy gauge structural steel members and equipped with heavy duty Acme (square) threads for positive action. Adjustment is made by turning the square head with an open end wrench.



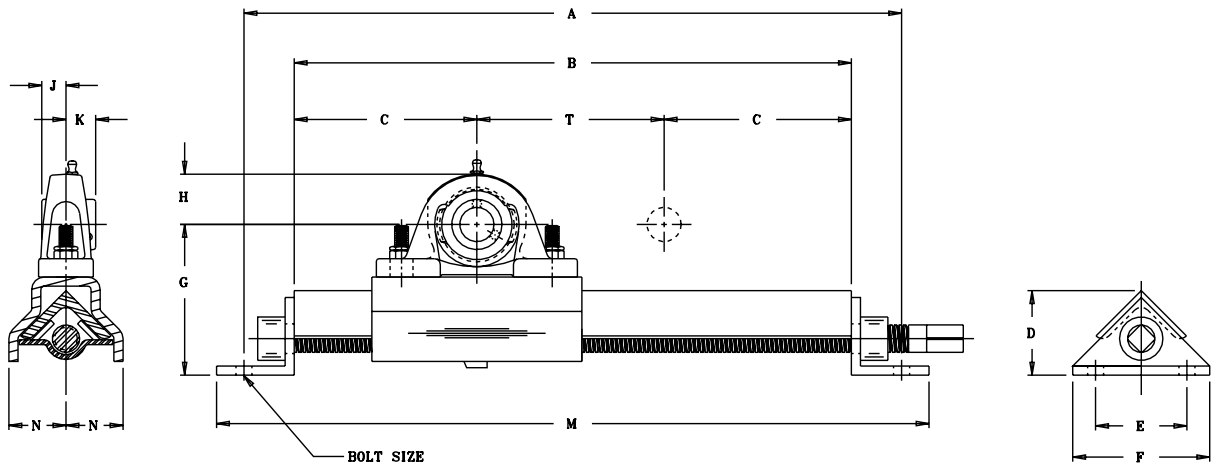
NPG Series Style "G" Protected Screw Take-Ups...Setscrew Locking

SHAFT DIAM.	PART NO.	BRG. NO.	Dimensions in Inches														BOLT SIZE	UNIT WT.
			T	A	B	C	D	E	F	G	H	J	K	M	N	O		
7/8 15/16 1	NPG-14-6 NPG-15-6 NPG-16-6 NPG-205-6	2-014 2-015 2-1 5205	6	18	15 1/4	4 5/8	2 5/16	2 1/2	3 3/4	4 1/8	1 3/8	9/16	13/16	19 1/2	1 17/32	1/4	3/8	12.4
7/8 15/16 1	NPG-14-9 NPG-15-9 NPG-16-9 NPG-205-9	2-014 2-015 2-1 5205	9	21	18 1/4	4 5/8	2 5/16	2 1/2	3 3/4	4 1/8	1 3/8	9/16	13/16	22 1/2	1 17/32	1/4	3/8	13.5
1 1/8 1 3/16 30	NPG-18-6 NPG-19-6 NPG-206-6	2-12 2-13 5206	6	19	16 1/4	5 1/8	2 5/16	2 1/2	3 3/4	4 3/8	1 11/16	5/8	7/8	20 1/2	1 23/32	1/4	3/8	16.1
1 1/8 1 3/16 30	NPG-18-9 NPG-19-9 NPG-206-9	2-12 2-13 5206	9	22	19 1/4	5 1/8	2 5/16	2 1/2	3 3/4	4 3/8	1 11/16	5/8	7/8	23 1/2	1 23/32	1/4	3/8	17.1
1 1/4 1 3/8 1 7/16 35	NPG-20-9 NPG-22-9 NPG-23-9 NPG-207-9	2-14 2-16 2-17 5207	9	22 1/4	19 1/2	5 1/4	2 5/16	2 1/2	3 3/4	4 9/16	1 7/8	11/16	1	23 3/4	1 23/32	1/4	3/8	17.7
1 1/4 1 3/8 1 7/16 35	NPG-20-12 NPG-22-12 NPG-23-12 NPG-207-12	2-14 2-16 2-17 5207	12	25 1/4	22 1/2	5 1/4	2 5/16	2 1/2	3 3/4	4 9/16	1 7/8	11/16	1	26 3/4	1 23/32	1/4	3/8	19.1
1 1/2 1 9/16 40	NPG-24-12 NPG-25-12 NPG-208-12	2-18 2-19 5208	12	26	23 1/4	5 5/8	2 5/16	2 1/2	3 3/4	4 5/8	2	3/4	1 3/16	27 1/2	2 1/16	1/4	3/8	25.6
1 1/2 1 9/16 40	NPG-24-18 NPG-25-18 NPG-208-18	2-18 2-19 5208	18	32	29 1/4	5 5/8	2 5/16	2 1/2	3 3/4	4 5/8	2	3/4	1 3/16	33 1/2	2 1/16	1/4	3/8	27.6
1 5/8 1 11/16 1 3/4 45	NPG-26-12 NPG-27-12 NPG-28-12 NPG-209-12	2-110 2-111 2-112 5209	12	26	23 1/4	5 5/8	2 5/16	2 1/2	3 3/4	4 13/16	2 1/8	3/4	1 3/16	27 1/2	2 1/16	1/4	3/8	24.9
1 5/8 1 11/16 1 3/4 45	NPG-26-18 NPG-27-18 NPG-28-18 NPG-209-18	2-110 2-111 2-112 5209	18	32	29 1/4	5 5/8	2 5/16	2 1/2	3 3/4	4 13/16	2 1/8	3/4	1 3/16	33 1/2	2 1/16	1/4	3/8	28.7

Series NPG and SPG are top mounted protected screw take-up units incorporating standard duty pillow blocks, as indicated in the accompanying charts. They are used where shaft adjustment and/or belt tightening is required in conveyor applications. They are manufactured from heavy gauge structural steel and equipped with heavy duty Acme (square) threads for positive action. Adjustment is made by turning the square head screw with an open end wrench.

Part numbers shown include standard duty pillow block (see page 20).

SEALMASTER[®] MOUNTED BALL BEARINGS



NPG and SPG Series Style "G" Protected Screw Take-Ups...Setscrew Lock

SHAFT DIAM.	PART NO.	BRG. NO.	Dimensions in Inches														BOLT SIZE	UNIT WT.
			T	A	B	C	D	E	F	G	H	J	K	M	N	O		
1 7/8 1 15/16 50	NPG-30-12 NPG-31-12 NPG-210-12	2-114 2-115 5210	12	26 3/4	24	6	2 5/16	2 1/2	3 3/4	4 15/16	2 5/16	3/4	1 9/32	28 1/4	2 1/16	1/4	12	27.6
1 7/8 1 15/16 50	NPG-30-18 NPG-31-18 NPG-210-18	2-114 2-115 5210	18	32 3/4	30	6	2 5/16	2 1/2	3 3/4	4 15/16	2 5/16	3/4	1 9/32	34 1/4	2 1/16	1/4	12	30.4
2 2 1/8 2 3/16 55	NPG-32-12 NPG-34-12 NPG-35-12 NPG-211-12	2-2 2-22 2-23 5211	12	27 1/4	24 1/2	6 1/4	2 11/16	3	4 3/4	5 9/16	2 1/2	7/8	1 5/16	29	2 7/16	5/16	1/2	36.6
2 2 1/8 2 3/16 55	NPG-32-18 NPG-34-18 NPG-35-18 NPG-211-18	2-2 2-22 2-23 5211	18	33 1/4	30 1/2	6 1/4	2 11/16	3	4 3/4	5 9/16	2 1/2	7/8	1 5/16	35	2 7/16	5/16	1/2	40.1
2 1/4 2 3/8 2 7/16 60	SPG-36-12 SPG-38-12 SPG-39-12 SPG-212-12	2-24 2-26 2-27 5212	12	30	27 1/4	7 5/8	2 11/16	3	4 3/4	6 3/16	2 15/16	1	1 9/16	31 3/4	2 7/16	5/16	5/8	48.9
2 1/4 2 3/8 2 7/16 60	SPG-36-18 SPG-38-18 SPG-39-18 SPG-212-18	2-24 2-26 2-27 5212	18	36	33 1/4	7 5/8	2 11/16	3	4 3/4	6 3/16	2 15/16	1	1 9/16	37 3/4	2 7/16	5/16	5/8	52.1
2 1/2 2 11/16 70	SPG-40-12 SPG-43-12 SPG-214-12	3-28 2-211 5214	12	31 1/2	28 3/4	8 3/8	3 1/4	3	5	7 1/2	3 3/8	1 1/16	1 11/16	33 1/2	2 7/8	3/8	5/8	67.2
2 1/2 2 11/16 70	SPG-40-18 SPG-43-18 SPG-214-18	3-28 2-211 5214	18	37 1/2	34 3/4	8 3/8	3 1/4	3	5	7 1/2	3 3/8	1 1/16	1 11/16	39 1/2	2 7/8	3/8	5/8	69.2
2 7/8 2 15/16 75	SPG-46-12 SPG-47-12 SPG-215-12	2-214 2-215 5215	12	31 1/2	28 3/4	8 3/8	3 1/4	3	5	7 1/2	3 7/16	1 5/16	1 3/4	33 1/2	2 7/8	3/8	5/8	67.6
2 7/8 2 15/16 75	SPG-46-18 SPG-47-18 SPG-215-18	2-214 2-215 5215	18	37 1/2	34 3/4	8 3/8	3 1/4	3	5	7 1/2	3 7/16	1 5/16	1 3/4	39 1/2	2 7/8	3/8	5/8	69.8

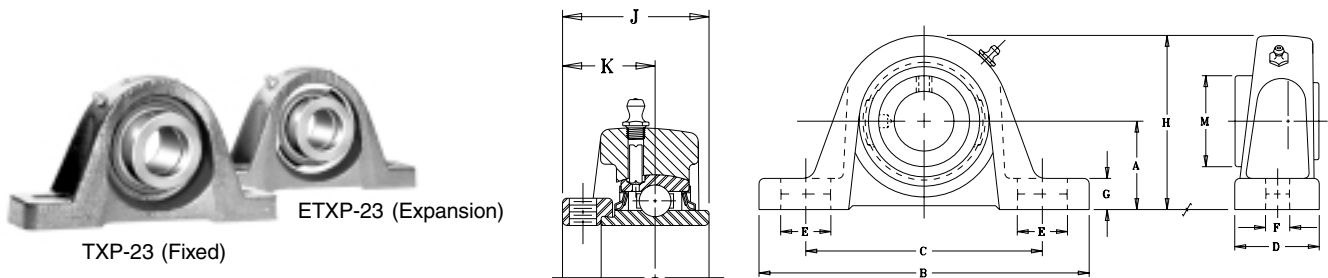
Series NPG and SPG are top mounted protected screw take-up units incorporating standard duty pillow blocks, as indicated in the accompanying charts. They are used where shaft adjustment and/or belt tightening is required in conveyor applications. They are manufactured from heavy gauge structural steel and equipped with heavy duty Acme (square) threads for positive action. Adjustment is made by turning the square head screw with an open end wrench.

Part numbers shown include standard duty pillow block NP (see page 20) or SP (see page 24) as indicated.



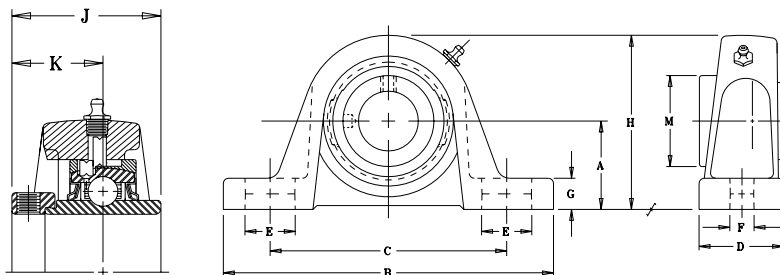
Gold Line Solutions for Textile Applications

- Eccentric Locking ensures positive locking without digging into shafting which prevents corrosion initiation.
- Ultra Gard spring Loaded Oil Seals that increase the force between rotating inner race and rubber to tighten seal.
(See seal description page 188).
- Expansion units provide more shaft growth acceptance than standard expansion units.
- Synthetic High Temperature Grease - increases operating temperature range of bearing to 375°F.



TXP Series Textile Bearings Pillow Blocks...Eccentric Locking – Fixed

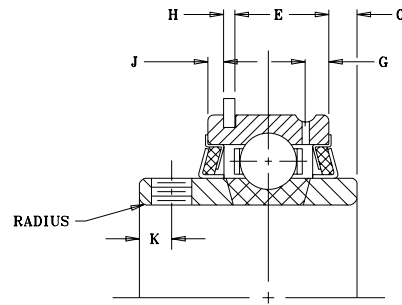
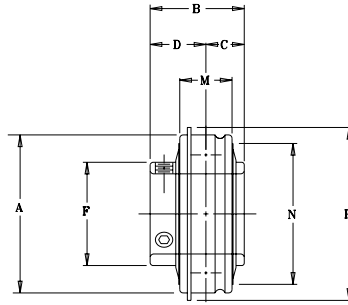
SHAFT DIAM. IN	PART NO.	BRG. NO.	Dimensions in Inches											BOLT SIZE IN.	UNIT WT.	
			A	B	C		D	E	F	G	H	J	K			M
					MIN.	MAX.										
1 7/16	TXP-23	TX-23	2 1/8	7 15/16	5	6 3/8	2 1/32	1 3/16	9/16	3/4	4 3/16	2 1/64	1 9/32	2 3/16	1/2	7.1
2 3/16	TXP-35	TX-35	2 3/4	10 1/4	6 9/16	7 15/16	3 1/8	1 7/16	13/16	1 1/16	5 5/8	2 13/16	1 23/32	3	3/4	16-2
2 7/16	TXP-39	TX-39	3	11 1/4	7 1/8	8 7/8	3 1/4	1 5/8	13/16	1 1/16	6 1/4	3 1/16	1 27/32	3 3/8	3/4	21.5



ETXP Series Textile Bearings Pillow Blocks...Eccentric Locking – Expansion

SHAFT DIAM. IN	PART NO.	BRG. NO. AR-	Dimensions in Inches											LIMIT OF EXPANSION	BOLT SIZE IN.	UNIT WT.	
			A	B	C		D	E	F	G	H	J	K				M
					MIN.	MAX.											
1 7/16	ETXP-23	ETX-23	2 1/8	7 15/16	5	6 3/8	2 1/32	1 3/16	9/16	3/4	4 3/16	2 1/64	1 9/32	2 3/16	3/16	1/2	6.8
2 3/16	ETXP-35	ETX-35	2 3/4	10 1/4	6 9/16	7 15/16	3 1/8	1 7/16	13/16	1 1/16	5 5/8	2 13/16	1 23/32	3	3/8	3/4	15.6
2 7/16	ETXP-39	ETX-39	3	11 1/4	7 1/8	8 7/8	3 1/4	1 5/8	13/16	1 1/16	6 1/4	3 1/16	1 27/32	3 3/8	3/8	3/4	20.0

SEALMASTER® MOUNTED BALL BEARINGS



ER Series Style "A" Extended Inner Ring Bearing Assemblies...Setscrew Locking

SHAFT DIAM.		BRG. NO.	Dimensions in Inches														UNIT WT.	
IN	MM		A	B	C	D	E	F	G	H	J	K	M	N	RAD	O		P
1/2 9/16 5/8 11/16 3/4	20	ER-8 ER-9 ER-10 ER-11 ER-12 ER-204	47MM 1.8504	1 7/32	13/32	13/16	31/64	1 3/16	11/64	3/64	3/32	3/16	5/8	1 5/8	.040	.094	2 1/16	.56
7/8 15/16 1	25	ER-14 ER-15 ER-16 ER-205	52MM 2.0472	1 3/8	33/64	55/64	39/64	1 3/8	13/64	3/64	3/32	7/32	3/4	1 55/64	.040	.135	2 17/64	.68
1 1/16 1 1/8 1 3/16 1 1/4	30	ER-17 ER-18 ER-19 ER-20R ER-206	62MM 2.4409	1 1/2	5/8	7/8	11/16	1 19/32	7/32	1/16	1/8	7/32	7/8	2 5/32	.040	.188	2 21/32	.93
1 1/4 1 5/16 1 3/8 1 7/16	35	ER-20 ER-21 ER-22 ER-23 ER-207	72MM 2.8346	1 11/16	11/16	1	3/4	1 55/64	7/32	1/16	1/8	1/4	15/16	2 17/32	.040	.219	3 5/64	1.37
1 1/2 1 9/16	40	ER-24 ER-25 ER-208	80MM 3.1496	1 15/16	3/4	1 3/16	29/32	2 1/16	1/4	1/16	1/8	5/16	1 3/32	2 53/64	.062	.203	3 13/32	2.00
1 5/8 1 11/16 1 3/4	45	ER-26 ER-27 ER-28 ER-209	85MM 3.3465	1 15/16	3/4	1 3/16	29/32	2 19/64	1/4	1/16	1/8	5/16	1 3/32	3 1/16	.062	.203	3 19/32	2.31
1 13/16 1 7/8 1 15/16 2	50	ER-29 ER-30 ER-31 ER-32R ER-210	90MM 3.5433	2 1/32	3/4	1 9/32	29/32	2 15/32	19/64	3/32	1/8	3/8	1 1/8	3 7/32	.062	.188	3 25/32	2.43
2 2 1/8 2 3/16	55	ER-32 ER-34 ER-35 ER-211	100MM 3.9370	2 3/16	7/8	1 5/16	31/32	2 23/32	19/64	3/32	1/8	3/8	1 3/16	3 9/16	.080	.281	4 3/16	3.00
2 1/4 2 3/8 2 7/16	60	ER-36 ER-38 ER-39 ER-212	110MM 4.3307	2 9/16	1	1 9/16	1 1/32	2 63/64	19/64	3/32	1/8	7/16	1 1/4	3 29/32	.080	.375	4 19/32	4.00
2 1/2 2 11/16	70	ER-40 ER-43 ER-214	125MM 4.9213	2 3/4	1 1/16	1 11/16	1 7/64	3 7/16	5/16	7/64	5/32	7/16	1 3/8	4 7/16	.080	.375	5 9/32	5.56
2 7/8 2 15/16	75	ER-46 ER-47 ER-215	130MM 5.1181	3 1/16	1 5/16	1 3/4	1 15/64	3 41/64	3/8	7/64	5/32	7/16	1 1/2	4 5/8	.080	.563	5 1/2	6.37
3 3 3/16	80	ER-48 ER-51 ER-216	140MM 5.5118	3 1/4	1 5/16	1 15/16	1 25/64	3 59/64	7/16	7/64	3/16	17/32	1 11/16	4 63/64	.120	.469	5 7/8	7.85
3 1/4 3 3/8 3 7/16		ER-52 ER-54 ER-55	150MM 5.9055	3 3/8	1 11/32	2 1/32	1 41/64	4 5/32	7/16	7/64	3/16	15/32	1 15/16	5 19/64	.120	.375	6 9/32	9.50
3 15/16 4		ER-63 ER-64	190MM 7.4803	4 5/8	1 15/16	2 11/16	2 5/32	5 11/64	11/16	1/8	7/32	3/4	2 1/2	6 21/32	.120	.688	8	22.0

For Load Ratings, see page 45.

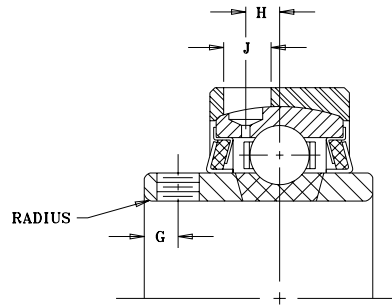
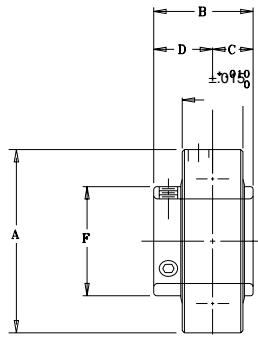
See page 75 for Table on guide for matching housings using the "ER" style "A" Extended Inner Ring Bearing.

Felt seal standard. For contact seal add suffix "C" ER-16C.



MOUNTED BALL BEARINGS

SEALMASTER®



AR Series Standard Duty Expansion Units...Setscrew Locking

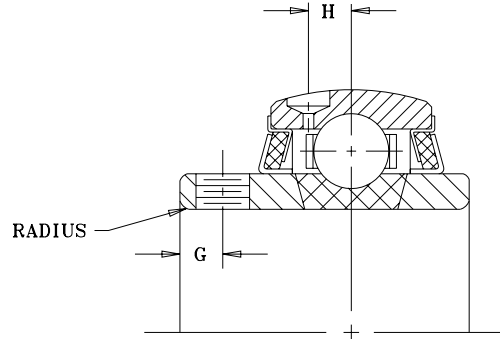
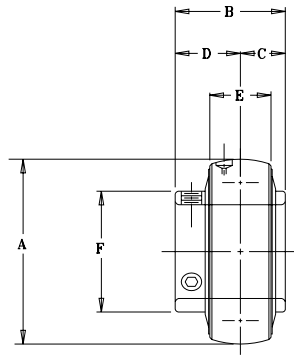
SHAFT DIAM.	BRG. NO.	Dimensions in Inches										SET SCREW TAP	UNIT WT.
		*A	B	C	D	E	F	G	H	J	RADIUS		
1/2 9/16 5/8 11/16 3/4 20	AR-2-08 AR-2-09 AR-2-010 AR-2-011 AR-2-012 AR-204	2.062	1 7/32	1/2	23/32	49/64	1 3/16	3/16	9/64	1/4	.040	1/4-28	.8
13/16 7/8 15/16 1 25	AR-2-013 AR-2-014 AR-2-015 AR-2-1 AR-205	2.272	1 3/8	9/16	13/16	49/64	1 3/8	7/32	11/64	1/4	.040	1/4-28	1.0
1 1/16 1 1/8 1 3/16 1 1/4 30	AR-2-11 AR-2-12 AR-2-13 AR-1-14 AR-206	2.687	1 1/2	5/8	7/8	61/64	1 19/32	7/32	7/32	1/4	.040	1/4-28	1.5
1 1/4 1 5/16 1 3/8 1 7/16 35	AR-2-14 AR-2-15 AR-2-16 AR-2-17 AR-207	3.140	1 11/16	11/16	1	1 1/64	1 55/64	1/4	1/4	1/4	.040	5/16-24	2.1
1 1/2 1 9/16 40	AR-2-18 AR-2-19 AR-208	3.375	1 15/16	3/4	1 3/16	1 11/64	2 1/16	5/16	19/64	1/4	.062	5/16-24	2.8
1 5/8 1 11/16 1 3/4 45	AR-2-110 AR-2-111 AR-2-112 AR-209	3.562	1 15/16	3/4	1 3/16	1 11/64	2 19/64	5/16	19/64	1/4	.062	5/16-24	3
1 13/16 1 7/8 1 15/16 2 50	AR-2-113 AR-2-114 AR-2-115 AR-1-2 AR-210	3.875	2-1/32	3/4	1 9/32	1 13/64	2 15/32	3/8	17/64	11/32	.062	3/8-24	3.5
2 2 1/8 2 3/16 55	AR-2-2 AR-2-22 AR-2-23 AR-211	4.250	2 3/16	7/8	1 5/16	1 17/64	2 23/32	3/8	19/64	11/32	.080	3/8-24	4.4
2 1/4 2 3/8 2 7/16 60	AR-2-24 AR-2-26 AR-2-27 AR-212	4.718	2 9/16	1	1 9/16	1 21/64	2 63/64	7/16	21/64	11/32	.080	3/8-24	5.8
2 11/16 70	AR-2-211 AR-214	5.170	2 3/4	1 1/16	1 11/16	1 29/64	3 7/16	7/16	3/8	11/32	.080	7/16-20	9.3
2 7/8 2 15/16 75	AR-2-214 AR-2-215 AR-215	5.375	3 1/16	1 5/16	1 3/4	1 37/64	3 41/64	7/16	3/8	11/32	.080	7/16-20	9.6
3 3/16 80	AR-2-33 AR-216	5.875	3 1/4	1 5/16	1 15/16	1 53/64	3 59/64	17/32	13/32	15/32	.120	7/16-20	12.2
3 1/4 3 3/8 3 7/16	AR-2-34 AR-2-36 AR-2-37	6.280	3 3/8	1 11/32	2 1/32	2 5/64	4 5/32	15/32	17/32	15/32	.120	7/16-20	15.2
3 1/2 90	AR-2-38 AR-218	6.750	3 25/32	1 9/16	2 7/32	2 9/64	4 25/64	5/8	15/32	15/32	.120	1/2-20	18.5

For Load Ratings, see page 45.

*Tolerance +.000", -.005"

Felt seal standard. For contact seal add suffix "C" (AR-2-1C).

SEALMASTER® MOUNTED BALL BEARINGS



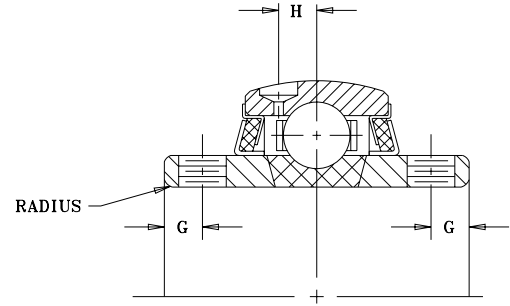
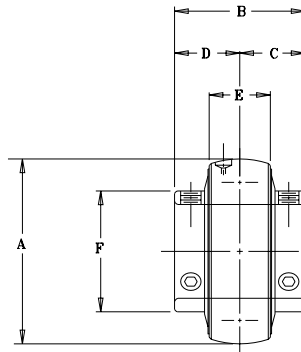
Standard Duty Bearing Inserts...Setscrew Locking – Single Lock

SHAFT DIAM.		BRG. NO.	Dimensions in Inches									SET SCREW TAP	UNIT WT.	
			A	B	C	D	E	F	G	H	RADIUS			
1/2	9/16	2-08	47MM 1.8504	1 7/32	1/2	23/32	5/8	1 3/16	3/16	9/64	.040	1/4-28	.5	
5/8	11/16	2-09												2-010
3/4	2-011	2-012												5204
20														
13/16	7/8	2-013	52MM 2.0472	1 3/8	9/16	13/16	11/16	1 3/8	7/32	11/64	.040	1/4-28	.6	
15/16	1	2-014												2-015
25		2-1												5205
1 1/16	1 1/8	2-11	62MM 2.4409	1 1/2	5/8	7/8	7/8	1 19/32	7/32	7/32	.040	1/4-28	1.0	
1 3/16	1 1/4	2-12												2-13
30		1-14												5206
1 1/4	1 5/16	2-14	72MM 2.8346	1 11/16	11/16	1	15/16	1 55/64	1/4	1/4	.040	5/16-24	1.5	
1 3/8	1 7/16	2-15												2-16
35		2-17												5207
1 1/2	1 9/16	2-18	80MM 3.1496	1 15/16	3/4	1 3/16	1 3/32	2 1/16	5/16	19/64	.062	5/16-24	1.9	
40		2-19												5208
1 5/8	1 11/16	2-110	85MM 3.3465	1 15/16	3/4	1 3/16	1 3/32	2 19/64	5/16	19/64	.062	5/16-24	2.2	
1 3/4	45	2-111												2-112
														5209
1 13/16	1 7/8	2-113	90MM 3.5433	2 1/32	3/4	1 9/32	1 1/8	2 15/32	3/8	17/64	.062	3/8-24	2.4	
1 15/16	2	2-114												2-115
50		1-2												5210
2	2 1/8	2-2	100MM 3.9370	2 3/16	7/8	1 5/16	1 3/16	2 23/32	3/8	19/64	.080	3/8-24	2.8	
2 3/16	55	2-22												2-23
														5211
2 1/4	2 3/8	2-24	110MM 4.3307	2 9/16	1	1 9/16	1 1/4	2 63/64	7/16	21/64	.080	3/8-24	3.7	
2 7/16	60	2-26												2-27
														5212
2 11/16	70	2-211	125MM 4.9213	2 3/4	1 1/16	1 11/16	1 3/8	3 7/16	7/16	3/8	.080	7/16-20	5.8	
		5214												
2 7/8	2 15/16	2-214	130MM 5.1181	3 1/16	1 5/16	1 3/4	1 1/2	3 41/64	7/16	3/8	.080	7/16-20	6.8	
75		2-215												5215
3 3/16	80	2-33	140MM 5.5118	3 1/4	1 5/16	1 15/16	1 11/16	3 59/64	17/32	13/32	.120	7/16-20	7.2	
		5216												
3 1/4	3 3/8	2-34	150MM 5.9055	3 3/8	1 11/32	2 1/32	1 15/16	4 5/32	15/32	17/32	.120	7/16-20	9.3	
3 7/16		2-36												2-37
3 1/2	90	2-38	160MM 6.2992	3 25/32	1 9/16	2 7/32	2	4 25/64	5/8	15/32	.120	1/2-20	11.7	
		5218												

Felt seal standard. For contact seal add suffix "C" (2-1C).
For Load Ratings, see page 45.



MOUNTED BALL BEARINGS SEALMASTER®



Standard Duty Bearing Inserts...Setscrew Locking – Double Lock

SHAFT DIAM.	BRG. NO.	Dimensions in Inches									SET SCREW TAP	UNIT WT.
		A	B	C	D	E	F	G	H	RADIUS		
7/8 15/16 1	2-014D 2-015D 2-1D	52MM 2.0472	1 1/2	3/4	3/4	11/16	1 3/8	7/32	11/64	.040	1/4-28	.6
1 1/16 1 1/8 1 3/16	2-11D 2-12D 2-13D	62MM 2.4409	1 3/4	7/8	7/8	7/8	1 19/32	7/32	7/32	.040	1/4-28	1.0
1 1/4 1 5/16 1 3/8 1 7/16	2-14D 2-15D 2-16D 2-17D	72MM 2.8346	2	1	1	15/16	1 55/64	1/4	1/4	.040	5/16-24	1.5
1 1/2 1 9/16	2-18D 2-19D	80MM 3.1496	2 5/16	1 5/32	1 5/32	1 3/32	2 1/16	5/16	19/64	.062	5/16-24	1.9
1 5/8 1 11/16 1 3/4	2-110D 2-111D 2-112D	85MM 3.3465	2 3/8	1 3/16	1 3/16	1 3/32	2 19/64	11/32	19/64	.062	5/16-24	2.2
1 7/8 1 15/16	2-114D 2-115D	90MM 3.5433	2 1/2	1 1/4	1 1/4	1 1/8	2 15/32	11/32	17/64	.062	3/8-24	2.4
2 2 1/8 2 3/16	2-2D 2-22D 2-23D	100MM 3.9370	2 5/8	1 5/16	1 5/16	1 3/16	2 23/32	5/16	19/64	.080	3/8-24	2.8
2 1/4 2 3/8 2 7/16	2-24D 2-26D 2-27D	110MM 4.3307	3 1/8	1 9/16	1 9/16	1 1/4	2 63/64	13/32	21/64	.080	3/8-24	3.7
2 11/16	2-211D	125MM	3 1/2	1 3/4	1 3/4	1 3/8	3 7/16	15/32	3/8	.080	7/16-20	5.8
2 7/8 2 15/16	2-214D 2-215D	130MM	3 1/2	1 3/4	1-3/4	1 1/2	3 41/64	7/16	3/8	.080	7/16-20	6.8
3 3/16	2-33D	140MM	3 7/8	1 15/16	1 15/16	1 11/16	3 59/64	9/16	13/32	.120	7/16-20	7.2
3 1/4 3 3/8 3 7/16	2-34D 2-36D 2-37D	150MM 5.9055	4 1/16	2 1/32	2 1/32	1 15/16	4 5/32	1/2	17/32	.120	7/16-20	9.3
3 1/2	2-38D	160MM	4 7/16	2 7/32	2 7/32	2	4 25/64	1/2	15/32	.120	1/2-20	11.7

Double Lock bearing inserts incorporate extended inner races on both sides of the ball path for better load distribution along the shaft. Each extension has 2 locking setscrews, a total of 4 per insert. The ball path is zone hardened with the extensions left soft for positive race-to-shaft locking. The outer ring has a dimple for use with a locking pin to prevent outer race rotation. Double lock units have higher speed capabilities. (See load rating tables page 45).

LOAD RATING TABLES - Normal Duty

The shaded area indicates the maximum speed ratings for double lock bearings (applicable on sizes available). All speeds listed are for the standard felt seal. See the seal selection for alternate seals.

Values in the table represent loads at ideal conditions with press fit mounting to the shaft. ABMA recommends de-rating of slip mounted bearings. To obtain de-rated load, divide load in table by 1.3. Values in the table represent equivalent radial loads only. For combined load determination, see **THE BEARING SELECTION SECTION**. Areas designated by "-" exceeds maximum value for standard bearings. Consult **SEALMASTER Application Engineering** for load and speed applications not covered in this table.

NORMAL DUTY			REVOLUTIONS PER MINUTE																	
SHAFT SIZE	INSERT #	ER #	L10 HOURS	50	150	500	1000	1750	2000	2500	3500	4500	5000	5500	6000	6500	7500	8000	10000	
1/2	2-08	ER-8	5000	619	619	491	390	324	310	287	257	236	228	221	215	209	199	195	181	
9/16	2-09	ER-9	10000	583	583	390	310	257	246	228	204	188	181	175	170	166	158	154	143	
5/8	2-010	ER-10	30000	583	404	270	215	178	170	158	141	130	126	122	118	115	109	107	100	
11/16	2-011	ER-11	50000	491	341	228	181	150	144	133	119	110	106	103	100	97	92	90	84	
3/4	2-012	ER-12	100000	390	270	181	144	119	114	106	95	87	84	81	79	77	73	71	67	
20mm	5204	ER-204																		
1 3/16	2-013		5000	664	664	527	418	347	332	308	276	253	245	237	230	224	213	213	-	
7/8	2-014	ER-14	10000	625	625	418	332	276	264	245	219	201	194	188	183	177	169	169	-	
15/16	2-015	ER-15	30000	625	433	290	230	191	183	170	152	139	135	130	127	123	117	117	-	
25mm	5205	ER-205	50000	527	366	245	194	161	154	143	128	118	114	110	107	104	99	99	-	
1	2-1	ER-16	100000	418	290	194	154	128	122	114	102	93	90	87	85	82	78	78	-	
1 1/16	2-11	ER-17	5000	1039	1039	825	654	543	519	482	431	396	383	370	360	351	334	334	-	
1 1/8	2-12	ER-18	10000	978	978	654	519	431	412	383	342	315	304	294	286	278	265	265	-	
1 3/16	2-13	ER-19	30000	978	678	454	360	299	286	265	237	218	211	204	198	193	184	184	-	
30mm	5206	ER-206	50000	825	572	383	304	252	241	224	200	184	178	172	167	163	155	155	-	
1 1/4R	1-14		100000	654	454	304	241	200	191	178	159	146	141	136	133	129	123	123	-	
1 1/4	2-14	ER-20	5000	1290	1290	1088	864	717	686	636	569	523	505	489	475	463	-	-	-	
1 5/16	2-15	ER-21	10000	1290	1290	864	686	569	544	505	452	415	401	388	377	367	-	-	-	
1 3/8	2-16	ER-22	30000	1290	895	599	475	394	377	350	313	288	278	269	262	255	-	-	-	
35mm	5207	ER-207	50000	1088	755	505	401	333	318	295	264	243	234	227	221	215	-	-	-	
1 7/16	2-17	ER-23	100000	864	599	401	318	264	253	234	210	193	186	180	175	171	-	-	-	
1 1/2	2-18	ER-24	5000	1638	1638	1381	1096	910	870	808	722	664	641	621	603	-	-	-	-	
1 9/16	2-19	ER-25	10000	1638	1638	1096	870	722	691	641	573	527	509	493	479	-	-	-	-	
40mm	5208	ER-208	30000	1638	1136	760	603	501	479	445	397	365	353	342	332	-	-	-	-	
			50000	1381	958	641	509	422	404	375	335	308	298	288	280	-	-	-	-	
			100000	1096	760	509	404	335	321	298	266	245	236	229	222	-	-	-	-	
1 5/8	2-110	ER-26	5000	1763	1763	1487	1180	979	937	870	777	715	690	669	-	-	-	-	-	
1 11/16	2-111	ER-27	10000	1763	1763	1180	937	777	744	690	617	567	548	531	-	-	-	-	-	
1 3/4	2-112	ER-28	30000	1763	1222	818	650	539	516	479	428	393	380	368	-	-	-	-	-	
45mm	5209	ER-209	50000	1487	1031	690	548	455	435	404	361	332	320	310	-	-	-	-	-	
			100000	1180	818	548	435	361	345	320	286	263	254	246	-	-	-	-	-	
1 13/16	2-113		5000	1760	1760	1485	1178	978	935	868	776	714	689	-	-	-	-	-	-	
1 7/8	2-114	ER-30	10000	1760	1760	1178	935	776	742	689	616	567	547	-	-	-	-	-	-	
1 15/16	2-115	ER-31	30000	1760	1221	817	649	538	515	478	427	393	379	-	-	-	-	-	-	
50mm	5210	ER-210	50000	1485	1029	689	547	454	434	403	360	331	320	-	-	-	-	-	-	
	1-2		100000	1178	817	547	434	360	345	320	286	263	254	-	-	-	-	-	-	
2	2-2	ER-32	5000	2176	2176	1835	1457	1209	1156	1073	1010	959	-	-	-	-	-	-	-	
2 1/8	2-22	ER-34	10000	2176	2176	1457	1156	959	918	852	802	762	-	-	-	-	-	-	-	
55mm	5211	ER-211	30000	2176	1509	1010	802	665	636	591	556	528	-	-	-	-	-	-	-	
2 3/16	2-23	ER-35	50000	1835	1273	852	676	561	537	498	469	445	-	-	-	-	-	-	-	
			100000	1457	1010	676	537	445	426	395	372	353	-	-	-	-	-	-	-	
NORMAL DUTY			REVOLUTIONS PER MINUTE																	
SHAFT SIZE	INSERT #	ER #	L10 HOURS	50	150	250	500	750	1000	1250	1500	1750	2000	2500	3000	3500	4000	4500	-	
2 1/4	2-24	ER-36	5000	2631	2631	2631	2219	1938	1761	1635	1538	1461	1398	1298	1221	1160	1109	1160	1109	-
2 5/16	2-25		10000	2631	2631	2219	1761	1538	1398	1298	1221	1160	1109	1030	969	921	881	881	881	-
60mm	5212	ER-212	30000	2631	1824	1538	1221	1067	969	900	847	804	769	714	672	638	611	611	611	-
2 3/8	2-26	ER-38	50000	2219	1538	1298	1030	900	817	759	714	678	649	602	567	538	515	515	515	-
2 7/16	2-27	ER-39	100000	1761	1221	1030	817	714	649	602	567	538	515	478	450	427	409	409	409	-
2 1/2		ER-40	5000	3118	3118	3118	2629	2297	2087	1937	1823	1732	1656	1538	1447	1375	1375	1375	1375	-
2 11/16	2-211	ER-43	10000	3118	3118	2629	2087	1823	1656	1538	1447	1375	1315	1220	1149	1091	1091	1091	1091	-
70mm	5214	ER-214	30000	3118	2162	1823	1447	1264	1149	1066	1003	953	912	846	796	756	756	756	756	-
			50000	2629	1823	1538	1220	1066	969	899	846	804	769	714	672	638	638	638	638	-
			100000	2087	1447	1220	969	846	769	714	672	638	610	567	533	506	506	506	506	-
2 7/8	2-214	ER-46	5000	3311	3311	3311	2793	2440	2217	2058	1936	1839	1759	1633	1537	1460	1460	1460	1460	-
2 15/16	2-215	ER-47	10000	3311	3311	2793	2217	1936	1759	1633	1537	1460	1396	1296	1220	1159	1159	1159	1159	-
75mm	5215	ER-215	30000	3311	2296	1936	1537	1343	1220	1132	1066	1012	968	899	846	803	803	803	803	-
			50000	2793	1936	1633	1296	1132	1029	955	899	854	817	758	713	678	678	678	678	-
			100000	2217	1537	1296	1029	899	817	758	713	678	648	602	566	538	538	538	538	-
3		ER-48	5000	3885	3885	3885	3277	2863	2601	2415	2272	2158	2064	1916	1803	1735	1735	1735	1735	-
80mm	5216	ER-216	10000	3885	3885	3277	2601	2272	2064	1916	1803	1713	1639	1521	1431	1431	1431	1431	1431	-
3 3/16	2-33	ER-51	30000	3885	2694	2272	1803	1575	1431	1329	1250	1188	1136	1055	992	932	932	932	932	-
			50000	3277	2272	1916	1521	1329	1207	1121	1055	1002	985	890	837	837	837	837	837	-
			100000	2601	1803	1521	1207	1055	958	890	837	795	761	706	664	664	664	664	664	-
3 1/4	2-34	ER-52	5000	3975	3975	3975	3516	3071	2791	2591	2438	2316	2215	2056	1935	18				

Medium Duty Bearings Designed For Higher Load Ratings

SEALMASTER® Gold Line Medium Duty Bearings, designed for heavier industrial applications, are shown and described in the dimension and specification pages 47-61 which follow for setscrew designs, and pages 79-83 for SKWEZLOC® locking collar designs.

Medium Duty Bearings Are Offered In The Following Series:



Pillow Blocks, Two-Bolt Base

- with Setscrew Locking in both single and double locking designs.
- With SKWEZLOC Locking Collars.



Expansion Type Pillow Blocks, Two-Bolt Base

- with Setscrew Locking, single locking designs.
- with SKWEZLOC Locking Collars.



Pillow Blocks, Four-Bolt Base

- with Setscrew Locking in both single and double locking designs.



Take-Up Units

- with Setscrew Locking, single locking designs.
- with SKWEZLOC Locking Collar designs.



Four-Bolt Flange Units

- with Setscrew Locking, single locking designs.
- with SKWEZLOC Locking Collar designs.



Two-Bolt Flange Units

- with Setscrew Locking, single locking designs.
- with SKWEZLOC Locking Collar designs.



Flange Cartridge Units (Cylindrical Cartridges)

- with Setscrew Locking, single locking designs.
- with SKWEZLOC Locking Collar designs.



Expansion Units (Cylindrical Cartridges)

- with Setscrew Locking, single locking designs.



Expansion Units (Cylindrical Cartridges)

- with SKWEZLOC Locking designs.



Bearing Inserts

- with Setscrew Locking in both single and double locking designs.

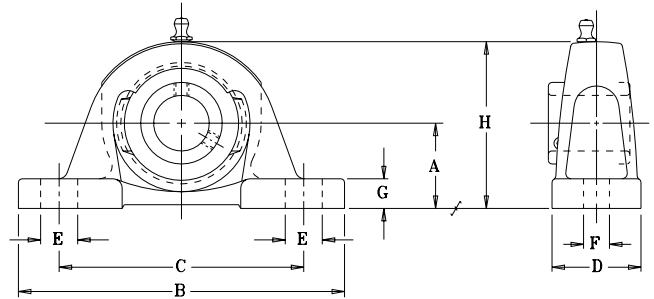
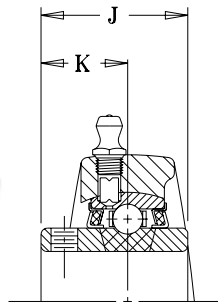


Bearing Inserts

- with SKWEZLOC Locking Collar designs.

The Load Rating Tables for all Medium Duty Bearings Units with Setscrew Single and Double Lock are on page 62.

Medium Duty Bearings have the same general features and benefits as the Standard Duty Units. These units may be further modified to meet unusual operating or ambient conditions. Consult our Engineering Department for specific recommendations.

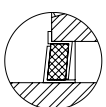


MP Series Medium Duty Pillow Blocks...Setscrew Locking

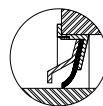
SHAFT DIAM.	PART NO.	BRG. NO.	Dimensions In Inches											BOLT SIZE IN.	UNIT WT.
			A	B	C		D	E	F	G	H	J	K		
IN	MM				MIN.	MAX.									
1 15/16 1	MP-15 MP-16 MP-305	3-015 3-1 5305	1 3/4	6 1/4	4 3/16	5 3/16	2	1	9/16	5/8	3 7/16	1 1/2	7/8	1/2	4.0
1 3/16 1 1/4	MP-19 MP-20 MP-306	3-13 2-14 5306	1 7/8	6 7/8	4 1/2	5 1/2	2 1/4	1	9/16	11/16	3 13/16	1 11/16	1	1/2	5.4
1 7/16 35	MP-23 MP-307	3-17 5307	2 1/8	8	5	6 3/8	2 1/4	1 3/16	9/16	3/4	4 3/16	1 15/16	1 3/16	1/2	6.8
1 1/2 40	MP-24 MP-308	3-18 5308	2 5/16	8 3/4	5 1/2	6 3/4	2 5/8	1 1/4	11/16	13/16	4 9/16	1 15/16	1 3/16	5/8	9.0
1 11/16 1 3/4	MP-27 MP-28 MP-309	3-111 2-14 5309	2 5/16	8 3/4	5 7/16	6 13/16	2 5/8	1 5/16	11/16	13/16	4 5/8	2 1/32	1 9/32	5/8	9.5
1 15/16 2	MP-31 MP-32 MP-310	3-115 2-2 5310	2 1/2	9 1/2	5 15/16	7 9/16	2 7/8	1 7/16	11/16	7/8	5 3/32	2 3/16	1 5/16	5/8	11.7
2 3/16 2 1/4	MP-35 MP-36 MP-311	3-23 2-24 5311	2 3/4	10 1/4	6 9/16	7 15/16	3 1/8	1 7/16	13/16	1 1/16	5 5/8	2 9/16	1 9/16	3/4	16.2
2 7/16 2 1/2	MP-39 MP-40 MP-313	3-27 3-28 5313	3	11 1/4	7 1/8	8 7/8	3 1/4	1 5/8	13/16	1 1/16	6 1/4	2 3/4	1 11/16	3/4	21.5
2 11/16 70	MP-43 MP-314	3-211 5314	3 1/2	13	7 7/8	10 1/8	3 1/2	2	15/16	1 1/8	7	3 1/16	1 3/4	7/8	29.2
2 15/16 3	MP-47 MP-48 MP-315	3-215 3-3 5315	3 1/2	13	7 7/8	10 1/8	3 1/2	2	15/16	1 1/4	7 1/4	3 1/4	1 15/16	7/8	31.5
3 3/16 3 1/4	MP-51 MP-52 MP-316	3-33 2-34 5316	4	15	9 11/16	12 9/16	4	2 5/16	15/16	1 1/4	8	3 3/8	2 1/32	7/8	44.1
3 7/16 3 1/2	MP-55 MP-56	3-37 2-38	4	15	9 5/8	12 5/8	4 3/8	2 3/8	15/16	1 5/16	8 1/4	3 25/32	2 7/32	7/8	47.8
3 15/16 4	MP-63 MP-64 MP-320	3-315 3-4 5320	5	17	11 3/4	14 3/4	4 3/4	2 1/2	1 1/8	1 5/16	10	4 5/8	2 11/16	1	73.2

For Load Ratings, see page 62.

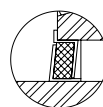
For Medium Duty Bearing Inserts-Single Lock, see page 60.



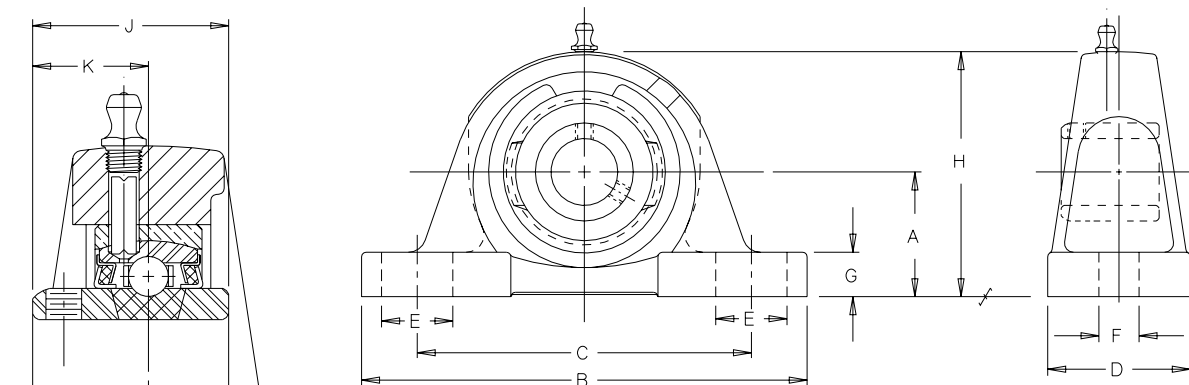
Felt Seal Standard
Positive sealing for low, medium, and high speed operation.



Single Lip Contact Seal
Available on all sizes. Recommended where moisture conditions prevail. To specify, add suffix "C" (MP-32C).



Hi-Temp Seal
Available as an option where operating temperatures are in 250-400° range. (See seal options on page 188).

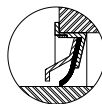


EMP Series Expansion Type Pillow Blocks...Setscrew Locking

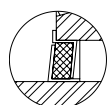
SHAFT DIAM. IN MM	PART NO.	BRG. NO.	Dimensions In Inches											LIMIT OF EXPAN.	BOLT SIZE IN.	UNIT WT.
			A	B	C		D	E	F	G	H	J	K			
					MIN.	MAX.										
15/16 1 25	EMP-15 EMP-16 EMP-205	AR-2-015 AR-2-1 AR-5205	1 3/4	6 1/4	4 3/16	5 3/16	2	1	9/16	5/8	3 7/16	1 3/8	13/16	1/8	1/2	3.7
1 3/16 30	EMP-19 EMP-206	AR-2-13 AR-5206	1 7/8	6 7/8	4 1/2	5 1/2	2 1/4	1	9/16	11/16	3 13/16	1 1/2	7/8	1/8	1/2	5.5
1 7/16 35	EMP-23 EMP-207	AR-2-17 AR-5207	2 1/8	8	5	6 3/8	2 1/4	1 3/16	9/16	3/4	4 3/16	1 11/16	1	1/8	1/2	6.8
1 1/2 40	EMP-24 EMP-208	AR-2-18 AR-5208	2 5/16	8 3/4	5 1/2	6 3/4	2 5/8	1 1/4	11/16	13/16	4 9/16	1 15/16	1 3/16	1/8	5/8	9.0
1 11/16 45	EMP-27 EMP-209	AR-2-111 AR-5209	2 5/16	8 3/4	5 7/16	6 13/16	2 5/8	1 5/16	11/16	13/16	4 5/8	1 15/16	1 3/16	1/8	5/8	9.2
1 15/16 50	EMP-31 EMP-210	AR-2-115 AR-5210	2 1/2	9 1/2	5 15/16	7 9/16	2 7/8	1 7/16	11/16	7/8	5 3/32	2 1/32	1 9/32	3/16	5/8	11.6
2 3/16 55	EMP-35 EMP-211	AR-2-23 AR-5211	2 3/4	10 1/4	6 9/16	7 15/16	3 1/8	1 7/16	13/16	1 1/16	5 5/8	2 3/16	1 5/16	3/16	3/4	15.6
2 7/16	EMP-39	AR-2-27	3	11 1/4	7 1/8	8 7/8	3 1/4	1 5/8	13/16	1 1/16	6 1/4	2 9/16	1 9/16	3/16	3/4	20.0
2 11/16 70	EMP-43 EMP-214	AR-2-211 AR-5214	3 1/2	13	7 7/8	10 1/8	3 1/2	2	15/16	1 1/8	7	2 3/4	1 11/16	3/16	7/8	29.1
2 15/16 75	EMP-47 EMP-215	AR-2-215 AR-5215	3 1/2	13	7 7/8	10 1/8	3 1/2	2	15/16	1 1/4	7 1/4	3 1/16	1 3/4	3/16	7/8	30.7
3 3/16 80	EMP-51 EMP-216	AR-2-33 AR-5216	4	15	9 11/16	12 9/16	4	2 5/16	15/16	1 1/4	8	3 1/4	1 15/16	9/32	7/8	41.8
3 7/16	EMP-55	AR-2-37	4	15	9 5/8	12 5/8	4 3/8	2 3/8	15/16	1 5/16	8 1/4	3 3/8	2 1/32	9/32	7/8	44.2
3 15/16 4	EMP-63 EMP-64	AR-3-315 AR-3-4	5	17	11 3/4	14 3/4	4 3/4	2 1/2	1 1/8	1 5/16	10	4 5/8	2 11/16	9/32	1	72.0

For Load Ratings, see page 62.

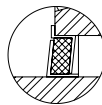
For Medium Duty Bearing Inserts-Single Lock, see page 60.



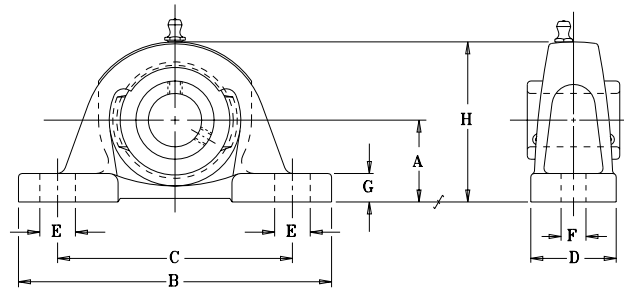
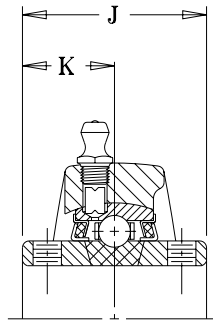
Single Lip Contact Seal
Available on all sizes. Recommended where moisture conditions prevail. To specify, add suffix "C" (EMP-32C).



Felt Seal Standard
Positive sealing for low, medium, and high speed operation.



Hi-Temp Seal
Available as an option where operating temperatures are in 250-400° range. (See seal options page 188).

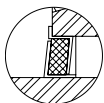


MPD Series Medium Duty Pillow Blocks...Setscrew Locking – Double Lock

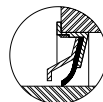
SHAFT DIAM. IN MM	PART NO.	BRG. NO.	Dimensions In Inches											BOLT SIZE IN.	UNIT WT.
			A	B	C		D	E	F	G	H	J	K		
					MIN.	MAX.									
15/16 1	MPD-15 MPD-16	3-015D 3-1D	1 3/4	6 1/4	4 3/16	5 3/16	2	1	9/16	5/8	3 7/16	1 3/4	7/8	1/2	4.0
1 3/16 1 1/4	MPD-19 MPD-20	3-13D 2-14D	1 7/8	6 7/8	4 1/2	5 1/2	2 1/4	1	9/16	11/16	3 13/16	2	1	1/2	5.4
1 7/16	MPD-23	3-17D	2 1/8	8	5	6 3/8	2 1/4	1 3/16	9/16	3/4	4 3/16	2 5/16	1 5/32	1/2	6.8
1 1/2	MPD-24	3-18D	2 5/16	8 3/4	5 1/2	6 3/4	2 5/8	1 1/4	11/16	13/16	4 9/16	2 3/8	1 3/16	5/8	9.0
1 11/16 1 3/4	MPD-27 MPD-28	3-111D 3-112D	2 5/16	8 3/4	5 7/16	6 13/16	2 5/8	1 5/16	11/16	13/16	4 5/8	2 1/2	1 1/4	5/8	9.5
1 15/16 2	MPD-31 MPD-32	3-115D 2-2D	2 1/2	9 1/2	5 15/16	7 9/16	2 7/8	1 7/16	11/16	7/8	5 3/32	2 5/8	1 5/16	5/8	11.7
2 3/16 2 1/4	MPD-35 MPD-36	3-23D 2-24D	2 3/4	10 1/4	6 9/16	7 15/16	3 1/8	1 7/16	13/16	1 1/16	5 5/8	3 1/8	1 9/16	3/4	16.2
2 7/16 2 1/2	MPD-39 MPD-40	3-27D 3-28D	3	11 1/4	7 1/8	8 7/8	3 1/4	1 5/8	13/16	1 1/16	6 1/4	3 1/2	1 3/4	3/4	21.5
2 11/16	MPD-43	3-211D	3 1/2	13	7 7/8	10 1/8	3 1/2	2	15/16	1 1/8	7	3 1/2	1 3/4	7/8	29.2
2 15/16 3	MPD-47 MPD-48	3-215D 3-3D	3 1/2	13	7 7/8	10 1/8	3 1/2	2	15/16	1 1/4	7 1/4	3 7/8	1 15/16	7/8	31.5
3 3/16 3 1/4	MPD-51 MPD-52	3-33D 2-34D	4	15	9 11/16	12 9/16	4	2 5/16	15/16	1 1/4	8	4 1/16	2 1/32	7/8	44.1
3 7/16 3 1/2	MPD-55 MPD-56	3-37D 2-38D	4	15	9 5/8	12 5/8	4 3/8	2 3/8	15/16	1 5/16	8 1/4	4 7/16	2 7/32	7/8	47.8
3 15/16 4	MPD-63 MPD-64	3-315D 3-4D	5	17	11 3/4	14 3/4	4 3/4	2 1/2	1 1/8	1 5/16	10	5 3/8	2 11/16	1	73.2

For Load Ratings, see page 62.

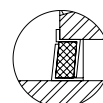
For Medium Duty Bearing Inserts-Double Lock, see page 61.



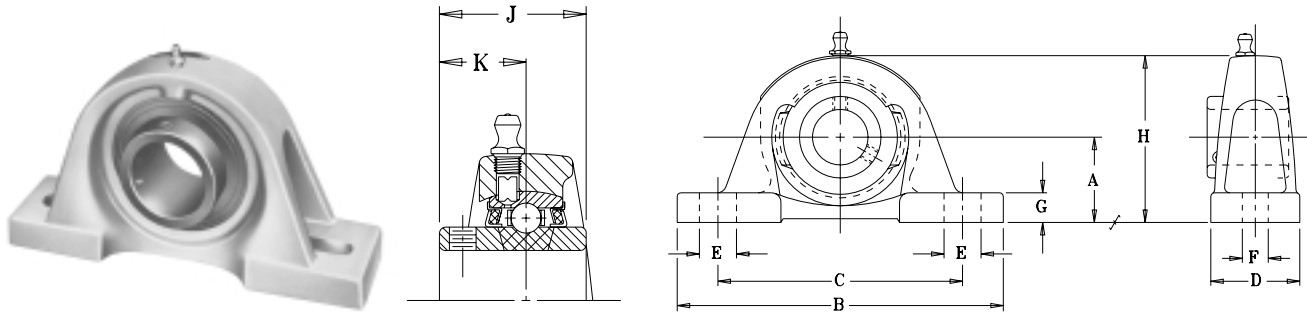
Felt Seal Standard
Positive sealing for low, medium, and high speed operation.



Single Lip Contact Seal
Available on all sizes. Recommended where moisture conditions prevail. To specify, add suffix "C" (MPD-32C).



Hi-Temp Seal
Available as an option where operating temperatures are in 250-400° range. (See seal options on page 188).

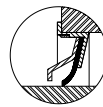


SPM Series Medium Duty Pillow Blocks...Setscrew Locking

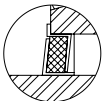
SHAFT DIAM.	PART NO.	BRG. NO.	Dimensions in Inches											BOLT SIZE IN.	UNIT WT.
			A	B	C		D	E	F	G	H	J	K		
IN	MM				MIN.	MAX.									
1 3/16	SPM-19	3-13	2	7 1/2	5 3/8	6 1/8	2	7/8	9/16	5/8	3 7/8	1 11/16	1	1/2	6.9
1 7/16	SPM-23	3-17	2 3/8	8 1/4	5 5/8	6 7/8	2 1/4	1 1/4	3/4	3/4	4 1/2	1 15/16	1 3/16	5/8	7.1
1 11/16 1 3/4	SPM-27 SPM-28	3-111 3-112	2 3/8	8 3/4	5 7/8	7 1/8	2 3/8	1 1/4	3/4	3/4	4 5/8	2 1/32	1 9/32	5/8	9.7
1 15/16	SPM-31	3-115	2 3/4	10 1/2	6 3/4	8 1/2	2 1/2	1 1/2	3/4	7/8	5 5/16	2 3/16	1 5/16	5/8	11.9
2 3/16	SPM-35	3-23	3 1/8	11 1/4	7 5/8	9 3/8	2 3/4	1 1/2	3/4	7/8	5 15/16	2 9/16	1 9/16	5/8	16.6
2 7/16 2 1/2	SPM-39 SPM-40	3-27 3-28	3 1/8	11 1/2	7 7/8	9 3/8	3	1 1/2	7/8	7/8	6 1/4	2 3/4	1 11/16	3/4	20.1

For Load Ratings, see page 62.

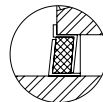
For Medium Duty Bearing Inserts-Single Lock, see page 60.



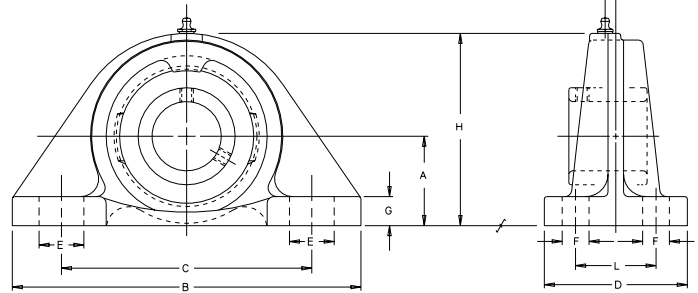
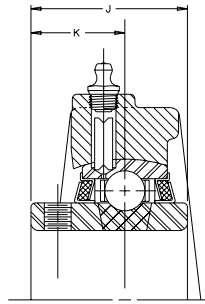
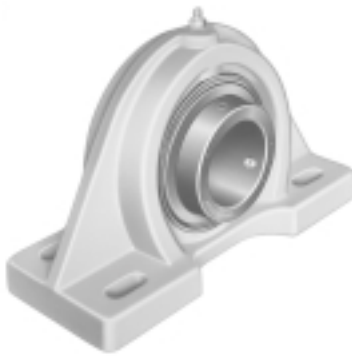
Single Lip Contact Seal
Available on all sizes. Recommended where moisture conditions prevail. To specify, add suffix "C" (SPM-31C).



Felt Seal Standard
Positive sealing for low, medium, and high speed operation.



Hi-Temp Seal
Available as an option where operating temperatures are in 250-400° range. (See seal options on page 188).



MFP Series Medium Duty Four-Bolt Base Pillow Blocks...Setscrew Locking

SHAFT DIAM.	PART NO.	BRG. NO.	Dimensions In Inches													BOLT SIZE IN.	UNIT WT.
			A	B	C		D	E	F	G	H	J	K	L			
IN	MM				MIN.	MAX.											
1 15/16 2	MFP-31 MFP-32 MFP-310	3-115 2-2 5310	2 1/2	9 3/4	6 3/8	7 5/8	4	1 1/4	3/4	13/16	5 3/8	2 3/16	1 5/16	2 1/4	5/8	13.7	
2 3/16 2 1/4	MFP-35 MFP-36 MFP-311	3-23 2-24 5311	2 3/4	10 1/4	6 7/8	8 1/8	4 1/8	1 1/4	3/4	7/8	5 13/16	2 9/16	1 9/16	2 1/4	5/8	17.0	
2 7/16 2 1/2	MFP-39 MFP-40 MFP-313	3-27 3-28 5313	3	11 1/4	7 1/2	9	4 1/2	1 3/8	3/4	1	6 1/2	2 3/4	1 11/16	2 5/8	5/8	23.3	
2 11/16 70	MFP-43 MFP-314	3-211 5314	3 1/2	13	9	10 1/2	5	1 1/2	7/8	1 1/8	7 1/4	3 1/16	1 3/4	2 3/4	3/4	34.0	
2 15/16 3	MFP-47 MFP-48 MFP-315	3-215 3-3 5315	3 1/2	13	9	10 1/2	5	1 1/2	7/8	1	7 3/8	3 1/4	1 15/16	2 3/4	3/4	36.5	
3 3/16 3 1/4	MFP-51 MFP-52 MFP-316	3-33 2-34 5316	4	15	10 3/4	12 1/4	5	1 1/2	7/8	1 1/16	8 7/16	3 3/8	2 1/32	3	3/4	44.5	
3 7/16 3 1/2	MFP-55 MFP-56	3-37 2-38	4	15	10 3/4	12 1/4	5	1 1/2	7/8	1 1/16	8 7/16	3 25/32	2 7/32	3	3/4	48.6	
3 15/16 4	MFP-63 MFP-64 MFP-320	3-315 3-4 5320	5	17	12 7/16	14 1/16	6	1 11/16	1	1 1/4	10 1/4	4 5/8	2 11/16	3 1/2	7/8	83.5	
4 7/16 4 15/16	MFPD-71 ¹ MFPD-79 ¹	3-47D ² 3-415D ²	6	19	14	16	5 1/2	2	1 1/8	1 5/8	12 1/8	5 3/4	2 7/8	3 1/4	1	130.0	

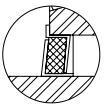
¹ Units MFPD-71 and MFPD-79 are equipped with four set screws: two on each end of inner race extensions.

² Units MFPD-71 and MFPD-79 are not available with contact seal.

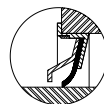
For Load Ratings, see page 62.

For Medium Duty Bearing Inserts-Single Lock, see page 60.

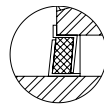
For Medium Duty Bearing Inserts-Double Lock, see page 61.



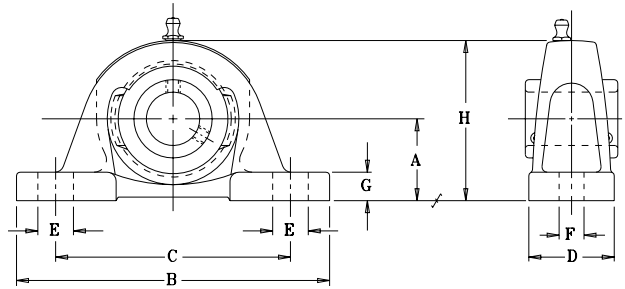
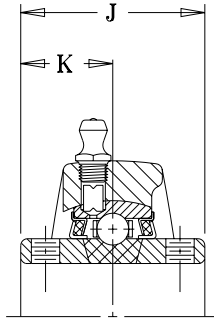
Felt Seal Standard
Positive sealing for low, medium, and high speed operation.



Single Lip Contact Seal
Available on all sizes. Recommended where moisture conditions prevail. To specify, add suffix "C" (MFP-32C).



Hi-Temp Seal
Available as an option where operating temperatures are in 250-400° range. (See seal options on page 188).



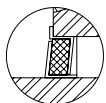
MSPD Series Medium Duty Pillow Blocks...Setscrew Locking – Double Lock

SHAFT DIAM.	PART NO.	BRG. NO.	Dimensions In Inches												BOLT SIZE IN.	UNIT WT.
			A	B	C		D	E	F	G	H	J	K			
					MIN.	MAX.										
1 11/16 1 3/4	MSPD-27 MSPD-28	3-111D 3-112D	2 3/8	8 7/8	6 7/16	7 7/16	2 1/2	1 1/8	3/4	3/4	4 13/16	2 1/2	1 1/4	5/8	9.5	
1 15/16 2	MSPD-31 MSPD-32	3-115D 2-2D	2 3/4	10	7 1/8	8 3/8	2 5/8	1 1/4	3/4	7/8	5 7/16	2 5/8	1 5/16	5/8	12.5	
2 3/16 2 1/4	MSPD-35 MSPD-36	3-23D 2-24D	3 1/8	10 7/8	7 7/8	9 3/8	2 3/4	1 3/8	3/4	15/16	6 1/16	3 1/8	1 9/16	5/8	17.0	
2 7/16 2 1/2	MSPD-39 MSPD-40	3-27D 3-28D	3 1/8	11 3/4	8 3/4	9 7/8	3	1 5/16	7/8	1	6 5/16	3 1/2	1 3/4	3/4	22.0	
2 11/16	MSPD-43	3-211D	3 3/4	13 3/8	10 1/8	11 3/8	3 1/4	1 3/8	7/8	1	7 5/16	3 1/2	1 3/4	3/4	28.0	
2 15/16 3	MSPD-47 MSPD-48	3-215D 3-3D	3 3/4	13 3/4	10	11 1/2	3 3/8	1 5/8	1	1 3/16	7 1/2	3 7/8	1 15/16	7/8	33.0	
3 7/16 3 1/2	MSPD-55 MSPD-56	3-37D 2-38D	4 9/16	15 3/8	12 1/8	13 1/2	4	1 9/16	1	1 1/4	8 13/16	4 7/16	2 7/32	7/8	51.0	
3 15/16 4	MSPD-63 MSPD-64	3-315D 3-4D	5 1/8	17	13 1/8	14 3/4	4 3/4	1 13/16	1 1/8	1 1/4	10 1/8	5 3/8	2 11/16	1	74.5	
4 7/16 4 15/16	MSPD-71 MSPD-79	3-47D ¹ 3-415D ¹	6 1/4	21 1/4	15 1/16	18 3/16	6 1/4	2 11/16	1 1/4	1 3/4	12 1/2	5 3/4	2 7/8	1 1/8	159.0	

¹ Units MSPD-71 and MSPD-79 are not available with contact seal.

For Load Ratings, see page 62.

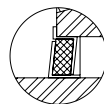
For Medium Duty Bearing Inserts-Double Lock, see page 61.



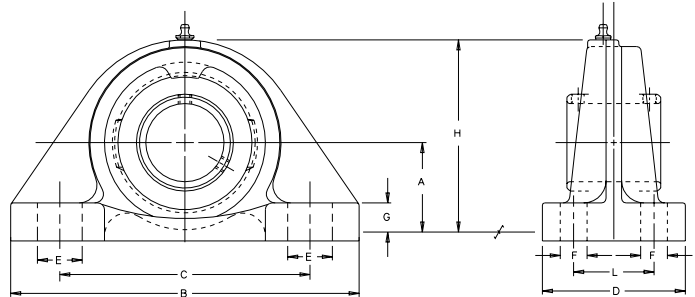
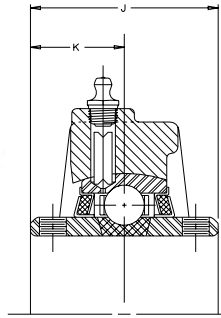
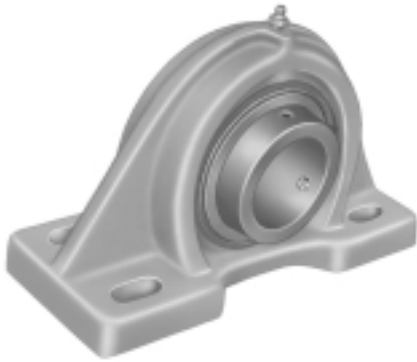
Felt Seal Standard
Positive sealing for low, medium, and high speed operation.



Single Lip Contact Seal
Available on all sizes. Recommended where moisture conditions prevail. To specify, add suffix "C" (MSPD-32C).



Hi-Temp Seal
Available as an option where operating temperatures are in 250-400° range. (See seal options on page 188).



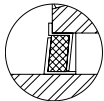
MSFPD Series Medium Duty Four-Bolt Base Pillow Blocks...Setscrew Locking

SHAFT DIAM.	PART NO.	BRG. NO.	Dimensions In Inches													BOLT SIZE IN.	UNIT WT.
			A	B	C		D	E	F	G	H	J	K	L			
IN	MM				MIN.	MAX.											
1 15/16 2	MSFPD-31 MSFPD-32	3-115D 2-2D	2 3/4	9 3/4	6 3/8	7 5/8	4	1 1/4	3/4	1 1/16	5 5/8	2 5/8	1 5/16	2 1/4	5/8	15.4	
2 3/16 2 1/4	MSFPD-35 MSFPD-36	3-23D 2-24D	3 1/8	10 1/4	6 7/8	8 1/8	4 1/8	1 1/4	3/4	1 1/4	6 3/16	3 1/8	1 9/16	2 1/4	5/8	20.1	
2 7/16 2 1/2	MSFPD-39 MSFPD-40	3-27D 3-28D	3 1/8	11 1/4	7 1/2	9	4 1/2	1 3/8	3/4	1 1/8	6 5/8	3 1/2	1 3/4	2 5/8	5/8	25.4	
2 11/16	MSFPD-43	3-211D	3 3/4	13	9	10 1/2	5	1 1/2	7/8	1 3/8	7 1/2	3 1/2	1 3/4	2 3/4	3/4	37.3	
2 15/16 3	MSFPD-47 MSFPD-48	3-215D 3-3D	3 3/4	13	9	10 1/2	5	1 1/2	7/8	1 1/4	7 5/8	3 7/8	1 15/16	2 3/4	3/4	40.1	
3 3/16 3 1/4	MSFPD-51 MSFPD-52	3-33D 2-34D	4 1/8	15	10 3/4	12 1/4	5	1 1/2	7/8	1 3/16	8 9/16	4 1/16	2 1/32	3	3/4	51.2	
3 7/16 3 1/2	MSFPD-55 MSFPD-56	3-37D 2-38D	4 9/16	15	10 3/4	12 1/4	5	1 1/2	7/8	1 1/4	9	4 7/16	2 7/32	3	3/4	51.8	
3 15/16 4	MSFPD-63 MSFPD-64	3-315D 3-4D	5 1/8	17	12 7/16	14 1/16	6	1 11/16	1	1 3/8	10 3/8	5 3/8	2 11/16	3 1/2	7/8	84.6	
4 7/16 4 15/16	MSFPD-71 MSFPD-79	3-47D ¹ 3-415D ¹	6 1/4	19	14	16	5 1/2	2	1 1/8	1 7/8	12 3/8	5 3/4	2 7/8	3 1/4	1	136.0	

For Load Ratings, see page 62.

For Medium Duty Bearing Inserts-Double Lock, see page 61.

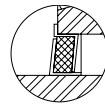
¹ Units MSFPD-71 and MSFPD-79 are not available with contact seal.



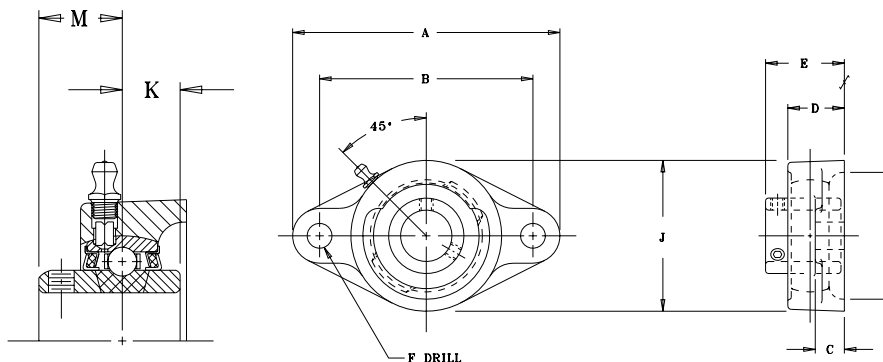
Felt Seal Standard
Positive sealing for low, medium, and high speed operation.



Single Lip Contact Seal
Available on all sizes. Recommended where moisture conditions prevail. To specify, add suffix "C" (MSFPD-32C).



Hi-Temp Seal
Available as an option where operating temperatures are in 250-400° range. (See seal options on page 188).

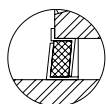


MSFT Series Medium Duty Two-Bolt Flange Units...Setscrew Locking

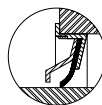
SHAFT DIAM. IN MM	PART NO.	BRG. NO.	Dimensions in Inches										UNIT WT.
			A	B	C	D	E	F	H CORED	J	K	M	
15/16 1	MSFT-15 MSFT-16 MSFT-305	3-015 3-1 5305	5 9/16	4 19/32	17/32	1 11/64	1 9/16	15/32	2 7/8	3 1/4	5/8	7/8	2.4
1 3/16 1 1/4 30	MSFT-19 MSFT-20 MSFT-306	3-13 2-14 5306	6 1/8	5 1/8	9/16	1 11/32	1 3/4	17/32	3 5/16	3 3/4	11/16	1	3.4
1 7/16 35	MSFT-23 MSFT-307	3-17 5307	6 3/4	5 21/32	9/16	1 1/2	2 1/64	17/32	3 1/2	4 1/8	3/4	1 3/16	4.6
1 1/2 40	MSFT-24 MSFT-308	3-18 5308	7 1/16	5 27/32	9/16	1 9/16	2 3/64	19/32	3 7/8	4 3/8	3/4	1 3/16	5.2
1 11/16 1 3/4 45	MSFT-27 MSFT-28 MSFT-309	3-111 3-112 5309	7 7/16	6 3/16	9/16	1 9/16	2 5/32	19/32	4	4 9/16	3/4	1 9/32	5.6
15/16 2 50	MSFT-31 MSFT-32 MSFT-310	3-115 2-2 5310	8 1/2	7 1/4	13/16	1 3/4	2 5/16	21/32	4 1/4	5 1/4	7/8	1 5/16	8.6

For Load Ratings, see page 62.

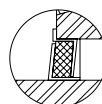
For Medium Duty Bearing Inserts-Single Lock, see page 60.



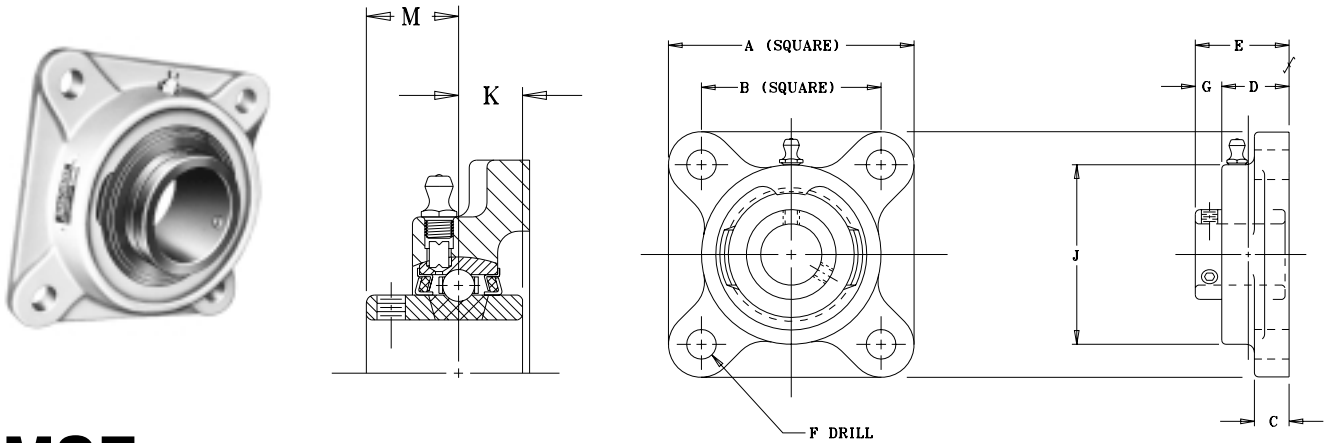
Felt Seal Standard
Positive sealing for low, medium, and high speed operation.



Single Lip Contact Seal
Available on all sizes. Recommended where moisture conditions prevail. To specify, add suffix "C" (MSFT-32C).



Hi-Temp Seal
Available as an option where operating temperatures are in 250-400° range. (See seal options on page 188).



MSF Series Medium Duty Four-Bolt Flange Units...Setscrew Locking

SHAFT DIAM.	PART NO.	BRG. NO.	Dimensions in Inches										UNIT Wt.
			A	B	C	D	E	F	G	J	K	M	
15/16 1	MSF-15 MSF-16 MSF-305	3-015 3-1 5305	4 1/4	3 1/4	17/32	1 11/64	1 9/16	15/32	25/64	3 7/32	5/8	7/8	3.6
1 3/16 1 1/4 25	MSF-19 MSF-20 MSF-306	3-13 2-14 5306	4 5/8	3 5/8	9/16	1 11/32	1 3/4	17/32	13/32	3 23/32	11/16	1	4.1
1 7/16 35	MSF-23 MSF-307	3-17 5307	5 1/8	4	9/16	1 1/2	2 1/64	17/32	33/64	4 5/64	3/4	1 3/16	5.5
1 1/2 40	MSF-24 MSF-308	3-18 5308	5 3/8	4 1/8	9/16	1 9/16	2 3/64	19/32	31/64	4 21/64	3/4	1 3/16	6.0
1 11/16 1 3/4 45	MSF-27 MSF-28 MSF-309	3-111 3-112 5309	5 5/8	4 3/8	9/16	1 9/16	2 5/32	19/32	19/32	4 9/16	3/4	1-9/32	6.8
1 15/16 2 50	MSF-31 MSF-32 MSF-310	3-115 2-2 5310	6 3/8	5 1/8	13/16	1 3/4	2 5/16	21/32	9/16	5 1/4	7/8	1 5/16	10.5
2 3/16 2 1/4 55	MSF-35 MSF-36 MSF-311	3-23 2-24 5311	6 7/8	5 5/8	13/16	1 15/16	2 11/16	21/32	3/4	5 7/16	1	1 9/16	12.1
2 7/16 2 1/2 65	MSF-39 MSF-40 MSF-313	3-27 3-28 5313	7 3/8	5 7/8	11/16	2 5/16	3	21/32	11/16	6 1/8	1 1/16	1 11/16	16.4
2 11/16 70	MSF-43 MSF-314	3-211 5314	7 3/4	6	1	2 3/8	3 3/16	25/32	13/16	6 1/2	1 5/16	1 3/4	20.6
2 15/16 3 75	MSF-47 MSF-48 MSF-315	3-215 3-3 5315	7 3/4	6	7/8	2 11/16	3 1/2	25/32	13/16	6 3/4	1 5/16	1 15/16	21.4
3 3/16 3 1/4 80	MSF-51 MSF-52 MSF-316	3-33 2-34 5316	8 7/16	6 3/4	1	2 3/4	3 17/32	25/32	25/32	7 1/4	1 11/32	2 1/32	26.7
3 7/16 3 1/2	MSF-55 MSF-56	3-37 2-38	8 7/16	6 3/4	1	3	3 31/32	25/32	31/32	7 3/4	1 9/16	2 7/32	30.0
3 15/16 4 100	MSF-63 MSF-64 MSF-320	3-315 3-4 5320	10 9/16	8 5/16	1 1/4	3 13/16	5	1 1/32	1 3/16	9 1/4	1 15/16	2 11/16	55.1
4 7/16 4 15/16	MSFD-71 ¹ MSFD-79 ¹	3-47D 3-415D	12 3/4	10	1 9/16	4 3/4	6	1 9/32	1 1/4	11 1/2	2 7/8	2 7/8	115.0

¹ Units MSFD-71 and MSFD-79 are equipped with four set screws: two on each end of inner race extensions.

¹ Units MSFD-71 and MSFD-79 are not available with contact seal.

For Load Ratings, see page 62.

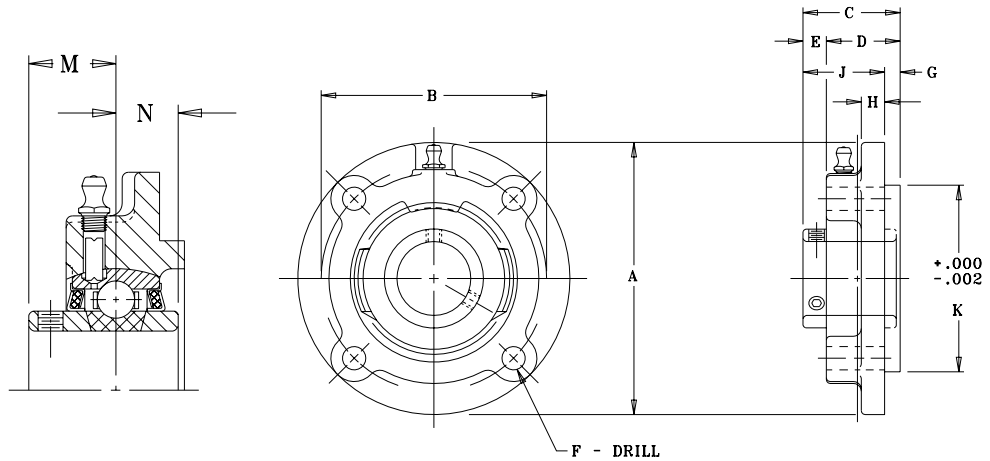
For Medium Duty Bearing Inserts-Single Lock, see page 60.

For Medium Duty Bearing Inserts-Double Lock, see page 61.

See page 54 for seal arrangements.



MOUNTED BALL BEARINGS SEALMASTER®



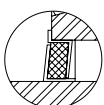
MFC Series Medium Duty Flange Cartridge Units...Setscrew Locking

SHAFT DIAM.	PART NO.	BRG. NO.	Dimensions In Inches												UNIT WT.
			A	B	C	D	E	F	G	H	J	K	M	N	
15/16 1	MFC-15 MFC-16 MFC-305	3-015 3-1 5305	4 3/8	3 5/8	1 9/16	1 3/16	3/8	3/8	1/4	3/8	1 5/16	3.000	7/8	5/8	3.0
1 3/16 1 1/4	MFC-19 MFC-20 MFC-306	3-13 2-14 5306	5	4 1/8	1 11/16	1 1/4	7/16	7/16	3/8	3/8	1 5/16	3.375	1	11/16	3.9
1 7/16 1 1/2	MFC-23 MFC-24 MFC-307	3-17 2-18 5307	5 1/4	4 3/8	1 15/16	1 15/32	15/32	7/16	7/16	7/16	1 1/2	3.625	1 3/16	3/4	4.7
1 1/2 40	MFC-24H MFC-308	3-18 5308	6 1/8	5 1/8	1 15/16	1 7/16	1/2	1/2	7/16	7/16	1 1/2	4.250	1 3/16	3/4	6.0
1 11/16 1 3/4	MFC-27 MFC-28 MFC-309	3-111 3-112 5309	6 1/8	5 1/8	2 1/32	1 15/32	9/16	1/2	15/32	7/16	1 9/16	4.250	1 9/32	3/4	6.5
1 15/16 2	MFC-31 MFC-32 MFC-310	3-115 2-2 5310	6 3/8	5 3/8	2 3/16	1 5/8	9/16	1/2	5/8	7/16	1 9/16	4.500	1 5/16	7/8	7.5
2 3/16 2 1/4	MFC-35 MFC-36 MFC-311	3-23 2-24 5311	7 1/8	6	2 9/16	1 7/8	11/16	9/16	7/8	1/2	1 11/16	5.000	1 9/16	1	10.5
2 7/16 2 1/2	MFC-39 MFC-40 MFC-313	3-27 3-28 5313	7 5/8	6 1/2	2 7/8	2 3/16	11/16	9/16	1 1/8	9/16	1 3/4	5.500	1 11/16	1 1/16	14.0
2 11/16 70	MFC-43 MFC-314	3-211 5314	8 3/4	7 1/2	3 1/16	2 5/16	3/4	11/16	1 1/16	9/16	2	6.375	1 3/4	1 5/16	18.7
2 15/16 3	MFC-47 MFC-48 MFC-315	3-215 3-3 5315	8 3/4	7 1/2	3 1/4	2 7/16	13/16	11/16	1 1/4	5/8	2	6.375	1 15/16	1 5/16	20.0
3 7/16 3 1/2	MFC-55 MFC-56	3-37 2-38	10 1/4	8 5/8	3 25/32	2 3/4	1 1/32	13/16	1 1/8	3/4	2 21/32	7.375	2-7/32	1 9/16	32.0
3 15/16 4	MFC-63 MFC-64 MFC-320	3-315 3-4 5320	10 7/8	9 3/8	4 5/8	3 1/4	1 3/8	13/16	1 1/8	7/8	3 1/2	*8.125	2 11/16	1 15/16	44.0

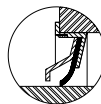
For Load Ratings, see page 62.

For Medium Duty Bearing Inserts-Single Lock, see page 60.

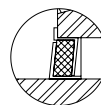
* +.000" -.004"



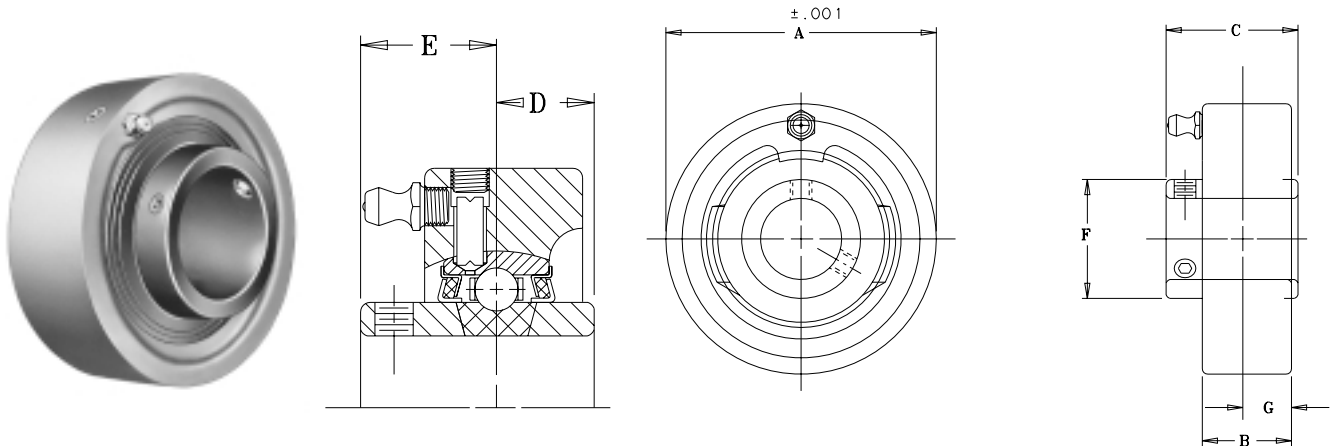
Felt Seal Standard
Positive sealing for low, medium, and high speed operation.



Single Lip Contact Seal
Available on all sizes. Recommended where moisture conditions prevail. To specify, add suffix "C" (MFC-32C).



Hi-Temp Seal
Available as an option where operating temperatures are in 250-400° range. (See seal options on page 188).



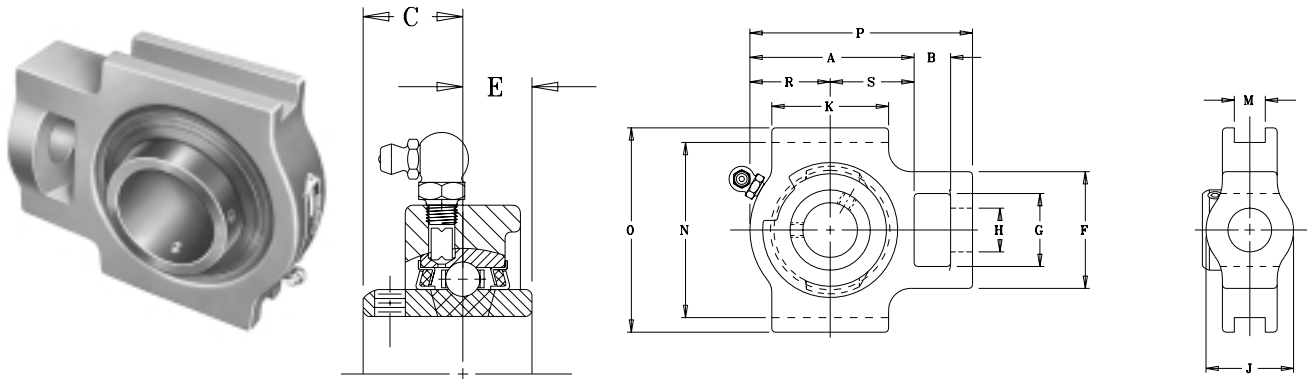
MSC Series Medium Duty Cartridge Units...Setscrew Locking

SHAFT DIAM.	PART NO.	BRG. NO.	Dimensions In Inches								UNIT WT.
			A	B	C	D	E	F	G		
15/16 1	MSC-15 MSC-16 MSC-305	3-015 3-1 5305	3 1/2	1 3/32	1 1/2	5/8	7/8	1 19/32	9/16	2.5	
1 3/16 1 1/4 30	MSC-19 MSC-20 MSC-306	3-13 2-14 5306	3 7/8	1 7/32	1 11/16	11/16	1	1 55/64	5/8	3.2	
1 7/16 35	MSC-23 MSC-307	3-17 5307	4 3/16	1 15/32	1 15/16	3/4	1 3/16	2 1/16	3/4	4.1	
1 1/2 40	MSC-24 MSC-308	3-18 5308	4 3/8	1 7/16	1 15/16	3/4	1 3/16	2 19/64	23/32	4.5	
1 11/16 1 3/4 45	MSC-27 MSC-28 MSC-309	3-111 3-112 5309	4 9/16	1 15/32	2 1/32	3/4	1-9/32	2 15/32	3/4	4.9	
1 15/16 2 50	MSC-31 MSC-32 MSC-310	3-115 2-2 5310	4 15/16	1 19/32	2 3/16	7/8	1 5/16	2 23/32	27/32	5.8	
2 3/16 2 1/4 55	MSC-35 MSC-36 MSC-311	3-23 2-24 5311	5 7/8	1 5/8	2 9/16	1	1 9/16	2 63/64	13/16	9.5	
2 7/16 2 1/2 65	MSC-39 MSC-40 MSC-313	3-27 3-28 5313	6 1/4	2	2 3/4	1 1/16	1 11/16	3 7/16	1	12.6	
2 11/16 70	MSC-43 MSC-314	3-211 5314	6 5/8	2	3 1/16	1 5/16	1 3/4	3 41/64	1	14.1	
2 15/16 3 75	MSC-47 MSC-48 MSC-315	3-215 3-3 5315	7	2 3/16	3 1/4	1 5/16	1 15/16	3 59/64	1 3/32	16.6	
3 3/16 3 1/4 80	MSC-51 MSC-52 MSC-316	3-33 2-34 5316	7 7/16	2 1/2	3 3/8	1 11/32	2 1/32	4 5/32	1 1/4	20.2	
3 7/16 3 1/2	MSC-55 MSC-56	3-37 2-38	8 3/16	2 1/2	3 25/32	1 9/16	2 7/32	4 25/64	1 1/4	25.8	
3 15/16 4 100	MSC-63 MSC-64 MSC-320	3-315 3-4 5320	9 1/2	3	4 5/8	1 15/16	2 11/16	5 11/64	1 1/2	42.0	

For Load Ratings, see page 62.

For Medium Duty Bearing Inserts-Single Lock, see page 60.

See page 56 for seal arrangements.

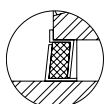


MST Series Medium Duty Take-Up Units...Setscrew Locking

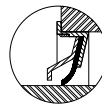
SHAFT DIAM. IN MM	PART NO.	BRG. NO.	Dimensions In Inches															UNIT WT.
			A	B	C	E	F	G	H Core	J Hub	K	M	N	O	P	R	S	
15/16 1	MST-15 MST-16 MST-305	3-015 3-1 5305	3 7/16	5/8	7/8	5/8	2 3/16	1 7/16	7/8	1 3/4	2 1/4	17/32	3 1/2	4	4 7/16	1 11/16	1 3/4	3.4
1 3/16 1 1/4 30	MST-19 MST-20 MST-306	3-13 2-14 5306	3 15/16	5/8	1	11/16	2 1/2	1 7/16	7/8	1 3/4	2 1/2	17/32	3 1/2	4	5 1/16	2	1 15/16	4.0
1 7/16 35	MST-23 MST-307	3-17 5307	4 5/16	3/4	1 3/16	3/4	3 1/4	1 15/16	1 1/8	2 1/8	3 1/4	11/16	4	4 1/2	5 11/16	2 3/16	2 1/8	6.2
1 1/2 40	MST-24 MST-308	3-18 5308	4 5/16	3/4	1 3/16	3/4	3 1/4	1 15/16	1 1/8	2 3/16	3 1/4	11/16	4	4 5/8	5 11/16	2 1/4	2 1/16	6.2
1 11/16 1 3/4 45	MST-27 MST-28 MST-309	3-111 3-112 5309	4 1/2	3/4	1 9/32	3/4	3 1/4	1 15/16	1 1/8	2 3/16	3 3/8	11/16	4	4 5/8	5 7/8	2 5/16	2 3/16	6.4
1 15/16 2 50	MST-31 MST-32 MST-310	3-115 2-2 5310	5	1	1 5/16	7/8	4	2 1/2	1 3/8	2 1/4	3 3/4	1 1/16	5 1/8	5 3/4	6 3/4	2 9/16	2 7/16	10.0
2 3/16 2 1/4 55	MST-35 MST-36 MST-311	3-23 2-24 5311	5 3/8	1 1/4	1 9/16	1	4	2 1/2	1 3/8	2 3/8	4	1 1/16	5 1/8	5 3/4	7 5/8	2 15/16	2 11/16	12.3
2 7/16 2 1/2 65	MST-39 MST-40 MST-313	3-27 3-28 5313	6 3/4	1 1/4	1 11/16	1 1/16	4 3/8	2 3/4	1 5/8	3 3/8	4 3/4	1 1/16	5 15/16	6 9/16	8 13/16	3 7/16	3 5/16	19.5
2 11/16 70	MST-43 MST-314	3-211 5314	7 1/16	1 1/4	1 3/4	1 5/16	4 3/8	2 3/4	1 5/8	3 3/8	4 3/4	1 1/16	5 15/16	6 9/16	9 1/8	3 5/8	3 7/16	19.8
2 15/16 3 75	MST-47 MST-48 MST-315	3-215 3-3 5315	7 3/16	1 1/4	1 15/16	1 5/16	4 3/8	2 3/4	1 5/8	3 3/8	4 3/4	1 1/16	6 1/2	7 1/4	9 1/4	3 3/4	3 7/16	23.0
3 3/16 3 1/4 80	MST-51 MST-52 MST-316	3-33 2-34 5316	7 5/8	1 1/2	2 1/32	1 11/32	4 7/8	2 7/8	1 7/8	3 1/2	6 3/16	1 13/16	6 13/16	7 13/16	10 1/4	3 7/8	3 3/4	31.8
3 15/16 4 100	MST-63 MST-64 MST-320	3-315 3-4 5320	9 1/4	1 1/2	2 11/16	1 15/16	4 7/8	2 7/8	1 7/8	3 1/2	6 1/2	1 13/16	8 3/8	9 3/8	11 7/8	4 3/4	4 1/2	50.0

For Load Ratings, see page 62.

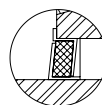
For Medium Duty Bearing Inserts-Single Lock, see page 60.



Felt Seal Standard
Positive sealing for low, medium, and high speed operation.

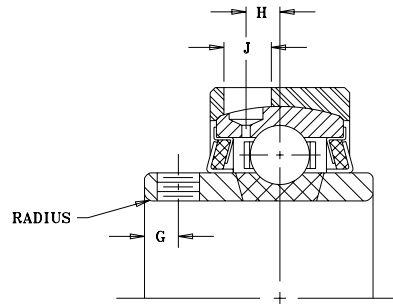
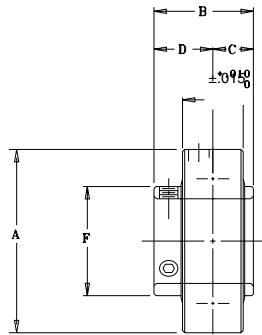


Single Lip Contact Seal
Available on all sizes. Recommended where moisture conditions prevail. To specify, add suffix "C" (MST-32C).



Hi-Temp Seal
Available as an option where operating temperatures are in 250-400° range. (See seal options on page 188).

SEALMASTER® MOUNTED BALL BEARINGS

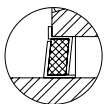


AR Series Medium Duty Expansion Units...Setscrew Locking

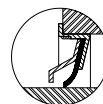
SHAFT DIAM.	BRG. NO.	Dimensions in Inches										SET SCREW TAP	UNIT WT.
		*A	B	C	D	E	F	G	H	J	RADIUS		
15/16 1	AR-3-015 AR-3-1 AR-305	2.687	1 1/2	5/8	7/8	61/64	1 19/32	7/32	7/32	1/4	.040	1/4-28	1.5
1 3/16 30	AR-3-13 AR-306	3.140	1 11/16	11/16	1	1 1/64	1 55/64	1/4	1/4	1/4	.040	5/16-24	2.1
1 7/16 35	AR-3-17 AR-307	3.375	1 15/16	3/4	1 3/16	1 11/64	2 1/16	5/16	19/64	1/4	.062	5/16-24	2.8
1 1/2 40	AR-3-18 AR-308	3.562	1 15/16	3/4	1 3/16	1 11/64	2 19/64	5/16	19/64	1/4	.062	5/16-24	3.0
1 11/16 1 3/4 45	AR-3-111 AR-3-112 AR-309	3.875	2 1/32	3/4	1 9/32	1 13/64	2 15/32	3/8	17/64	11/32	.062	3/8-24	3.5
1 15/16 50	AR-3-115 AR-310	4.250	2 3/16	7/8	1 5/16	1 17/64	2 23/32	3/8	19/64	11/32	.080	3/8-24	4.4
2 3/16 55	AR-3-23 AR-311	4.718	2 9/16	1	1 9/16	1 21/64	2 63/64	7/16	21/64	11/32	.080	3/8-24	5.8
2 7/16 2 1/2 65	AR-3-27 AR-3-28 AR-313	5.170	2 3/4	1 1/16	1 3/4	1 29/64	3 7/16	15/32	3/8	11/32	.080	7/16-20	9.3
2 11/16 70	AR-3-211 AR-314	5.375	3 1/16	1 5/16	1 3/4	1 37/64	3 41/64	7/16	3/8	11/32	.080	7/16-20	9.6
2 15/16 3 75	AR-3-215 AR-3-3 AR-315	5.875	3 1/4	1 5/16	1 15/16	1 53/64	3 59/64	17/32	13/32	15/32	.120	7/16-20	12.2
3 3/16 80	AR-3-33 AR-316	6.280	3 3/8	1 11/32	2 1/32	2 5/64	4 5/32	15/32	17/32	15/32	.120	7/16-20	15.2
3 7/16	AR-3-37	6.750	3 25/32	1 9/16	2 7/32	2 9/64	4 25/64	5/8	15/32	15/32	.120	1/2-20	18.5
3 15/16 4 100	AR-3-315 AR-3-4 AR-320	8.063	4 5/8	1 15/16	2 11/16	2 33/64	5 11/64	3/4	19/32	15/32	.120	5/8-18	32.9

For Load Ratings, see page 62.

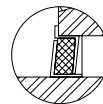
* Tolerance +.000" -.005"



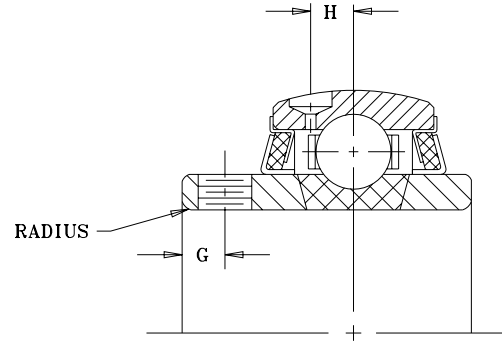
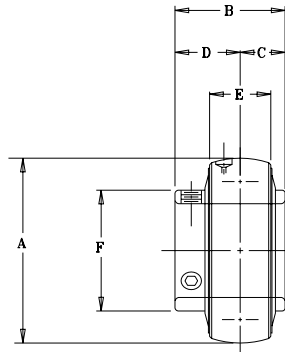
Felt Seal Standard
Positive sealing for low, medium, and high speed operation.



Single Lip Contact Seal
Available on all sizes. Recommended where moisture conditions prevail. To specify, add suffix "C" (AR-3-23C).



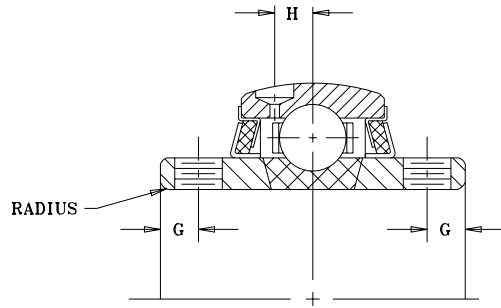
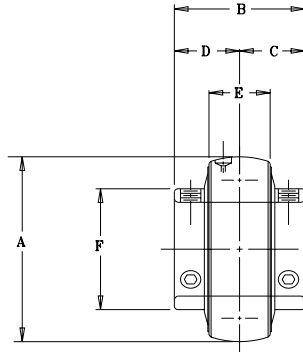
Hi-Temp Seal
Available as an option where operating temperatures are in 250-400° range. (See seal options on page 188).



Medium Duty Bearing Inserts...Setscrew Locking – Single Lock

SHAFT DIAM.	BRG. NO.	Dimensions in Inches									SET SCREW TAP	UNIT WT.
		A	B	C	D	E	F	G	H	RADIUS		
15/16 1	3-015 3-1 5305	62MM 2.4409	1 1/2	5/8	7/8	7/8	1 19/32	7/32	7/32	.040	1/4-28	1.0
1 3/16 30	3-13 5306	72MM 2.8346	1 11/16	11/16	1	15/16	1 55/64	1/4	1/4	.040	5/16-24	1.5
1 7/16 35	3-17 5307	80MM 3.1496	1 15/16	3/4	1 3/16	1 3/32	2 1/16	5/16	19/64	.062	5/16-24	1.9
1 1/2 40	3-18 5308	85MM 3.3465	1 15/16	3/4	1 3/16	1 3/32	2 19/64	5/16	19/64	.062	5/16-24	2.2
1 11/16 1 3/4 45	3-111 3-112 5309	90MM 3.5433	2 1/32	3/4	1 9/32	1 1/8	2 15/32	3/8	17/64	.062	3/8-24	2.4
1 15/16 50	3-115 5310	100MM 3.9370	2 3/16	7/8	1 5/16	1 3/16	2 23/32	3/8	19/64	.080	3/8-24	3.2
2 3/16 55	3-23 5311	110MM 4.3307	2 9/16	1	1 9/16	1 1/4	2 63/64	7/16	21/64	.080	3/8-24	4.2
2 7/16 2 1/2 65	3-27 3-28 5313	125MM 4.9213	2 3/4	1 1/16	1 11/16	1 3/8	3 7/16	7/16	3/8	.080	7/16-20	6.5
2 11/16 70	3-211 5314	130MM 5.1181	3 1/16	1 5/16	1 3/4	1 1/2	3 41/64	7/16	3/8	.080	7/16-20	7.1
2 15/16 3 75	3-215 3-3 5315	140MM 5.5118	3 1/4	1 5/16	1 15/16	1 11/16	3 59/64	17/32	13/32	.120	7/16-20	8.2
3 3/16 80	3-33 5316	150MM 5.9055	3 3/8	1 11/32	2 1/32	1 15/16	4 5/32	15/32	17/32	.120	7/16-20	10.0
3 7/16	3-37	160MM 6.2992	3 25/32	1 9/16	2 7/32	2	4 25/64	5/8	15/32	.120	1/2-20	11.7
3 15/16 4 100	3-315 3-4 5320	190MM 7.4803	4 5/8	1 15/16	2 11/16	2 1/2	5 11/64	3/4	19/32	.120	5/8-18	20.4

See page 59 for seal arrangements.
For Load Ratings, see page 62.



Medium Duty Bearing Inserts...Setscrew Locking – Double Lock

SHAFT DIAM.	BRG. NO.	Dimensions in Inches									SET SCREW TAP	UNIT WT.
		A	B	C	D	E	F	G	H	RADIUS		
15/16 1	3-015D 3-1D	62MM 2.4409	1 3/4	7/8	7/8	7/8	1 19/32	7/32	7/32	.040	1/4-28	1.0
1 3/16	3-13D	72MM 2.8346	2	1	1	15/16	1 55/64	1/4	1/4	.040	5/16-24	1.5
1 7/16	3-17D	80MM 3.1496	2 5/16	1 5/32	1 5/32	1 3/32	2 1/16	5/16	19/64	.062	5/16-24	2.0
1 1/2	3-18D	85MM 3.3465	2 3/8	1 3/16	1 3/16	1 3/32	2 19/64	11/32	19/64	.062	5/16-24	2.5
1 11/16 1 3/4	3-111D 3-112D	90MM 3.5433	2 1/2	1 1/4	1 1/4	1 1/8	2 15/32	11/32	17/64	.062	3/8-24	2.7
1 15/16	3-115D	100MM 3.9370	2 5/8	1 5/16	1 5/16	1 3/16	2 23/32	5/16	19/64	.080	3/8-24	3.5
2 3/16	3-23D	110MM 4.3307	3 1/8	1 9/16	1 9/16	1 1/4	2 63/64	13/32	21/64	.080	7/16-20	4.6
2 7/16 2 1/2	3-27D 3-28D	125MM 4.9213	3 1/2	1 3/4	1 3/4	1 3/8	3 7/16	15/32	3/8	.080	7/16-20	7.1
2 11/16	3-211D	130MM 5.1181	3 1/2	1 3/4	1 3/4	1 1/2	3 41/64	7/16	3/8	.080	1/2-20	7.3
2 15/16 3	3-215D 3-3D	140MM 5.5118	3 7/8	1 15/16	1 15/16	1 11/16	3 59/64	9/16	13/32	.120	1/2-20	9.0
3 3/16	3-33D	150MM 5.9055	4 1/16	2 1/32	2 1/32	1 15/16	4 5/32	1/2	17/32	.120	1/2-20	10.8
3 7/16	3-37D	160MM 6.2992	4 7/16	2 7/32	2 7/32	2	4 25/64	1/2	15/32	.120	1/2-20	12.6
3 15/16 4	3-315D 3-4D	190MM 7.4803	5 3/8	2 11/16	2 11/16	2 1/2	5 11/64	23/32	19/32	.120	5/8-18	21.6
4 7/16 4 15/16	3-47D 3-415D	230MM 9.0551	5 3/4	2 7/8	2 7/8	2 5/8	6 11/32	5/8	11/16	.120	5/8-18	40.0

See page 59 for seal arrangements.
For Load Ratings, see page 62.

LOAD RATING TABLES - Medium Duty

The shaded area indicates the maximum speed ratings for double lock bearings (applicable on sizes available). All speeds listed are for the standard felt seal. See the seal selection for alternate seals.

Values in the table represent loads at ideal conditions with press fit mounting to the shaft. ABMA recommends de-rating of slip mounted bearings. To obtain de-rated load, divide load in table by 1.3. Values in the table represent equivalent radial loads only. For combined load determination, see **THE BEARING SELECTION SECTION**. Areas designated by "-" exceeds maximum value for standard bearings. Consult **SEALMASTER Application Engineering** for load and speed applications not covered in this table.

MEDIUM DUTY		REVOLUTIONS PER MINUTE																
SHAFT SIZE	INSERT #	L10 HOURS	50	150	500	1000	1750	2000	2500	3500	4500	5000	5500	6000	6500	7500	8000	10000
15/16 1 25MM	3-015 3-1 5305	5000	1039	1039	825	654	543	519	482	431	396	383	370	360	351	334	334	-
		10000	978	978	654	519	431	412	383	342	315	304	294	286	278	265	265	-
		30000	978	678	454	360	299	286	265	237	218	211	204	198	193	184	184	-
		50000	825	572	383	304	252	241	224	200	184	178	172	167	163	155	155	-
		100000	654	454	304	241	200	191	178	159	146	141	136	133	129	123	123	-
30MM 1 3/16	5306 3-13	5000	1290	1290	1088	864	717	686	636	569	523	505	489	475	463	-	-	-
		10000	1290	1290	864	686	569	544	505	452	415	401	388	377	367	-	-	-
		30000	1290	895	599	475	394	377	350	313	288	278	269	262	255	-	-	-
		50000	1088	755	505	401	333	318	295	264	243	234	227	221	215	-	-	-
		100000	864	599	401	318	264	253	234	210	193	186	180	175	171	-	-	-
1 7/16 35MM	3-17 5307	5000	1638	1638	1381	1096	910	870	808	722	664	641	621	603	-	-	-	-
		10000	1638	1638	1096	870	722	691	641	573	527	509	493	479	-	-	-	-
		30000	1638	1136	760	603	501	479	445	397	365	353	342	332	-	-	-	-
		50000	1381	958	641	509	422	404	375	335	308	298	288	280	-	-	-	-
		100000	1096	760	509	404	335	321	298	266	245	236	229	222	-	-	-	-
1 1/2 45MM	3-18 5308	5000	1763	1763	1487	1180	979	937	870	777	715	690	669	-	-	-	-	-
		10000	1763	1763	1180	937	777	744	690	617	567	548	531	-	-	-	-	-
		30000	1763	1222	818	650	539	516	479	428	393	380	368	-	-	-	-	-
		50000	1487	1031	690	548	455	435	404	361	332	320	310	-	-	-	-	-
		100000	1180	818	548	435	361	345	320	286	263	254	-	-	-	-	-	-
1 11/16 1 3/4 45MM	3-111 3-112 5309	5000	1760	1760	1485	1178	978	935	868	776	714	689	-	-	-	-	-	-
		10000	1760	1760	1178	935	776	742	689	616	567	547	-	-	-	-	-	-
		30000	1760	1221	817	649	538	515	478	427	393	379	-	-	-	-	-	-
		50000	1485	1029	689	547	454	434	403	360	331	320	-	-	-	-	-	-
		100000	1178	817	547	434	360	345	320	286	263	254	-	-	-	-	-	-
1 15/16 50MM	3-115 5310	5000	2176	2176	1835	1457	1209	1156	1073	1010	959	-	-	-	-	-	-	-
		10000	2176	2176	1457	1156	959	918	852	802	762	-	-	-	-	-	-	-
		30000	2176	1509	1010	802	665	636	591	556	528	-	-	-	-	-	-	-
		50000	1835	1273	852	676	561	537	498	469	445	-	-	-	-	-	-	-
		100000	1457	1010	676	537	445	426	395	372	353	-	-	-	-	-	-	-
MEDIUM DUTY		REVOLUTIONS PER MINUTE																
SHAFT SIZE	INSERT #	L10 HOURS	50	150	250	500	750	1000	1250	1500	1750	2000	2500	3000	3500	4000	4500	-
55MM 2 3/16	5311 3-23	5000	2631	2631	2631	2219	1938	1761	1635	1538	1461	1398	1298	1221	1160	1109	-	-
		10000	2631	2631	2219	1761	1538	1398	1298	1221	1160	1109	1030	969	921	881	-	-
		30000	2631	1824	1538	1221	1067	969	900	847	804	769	714	672	638	611	-	-
		50000	2219	1538	1298	1030	900	817	759	714	678	649	602	567	538	515	-	-
		100000	1761	1221	1030	817	714	649	602	567	538	515	478	450	427	409	-	-
2 7/16 2 1/2 65MM	3-27 3-28 5313	5000	3118	3118	3118	2629	2297	2087	1937	1823	1732	1656	1538	1447	1375	-	-	-
		10000	3118	3118	2629	2087	1823	1656	1538	1447	1375	1315	1220	1149	1091	-	-	-
		30000	3118	2162	1823	1447	1264	1149	1066	1003	953	912	846	796	756	-	-	-
		50000	2629	1823	1538	1220	1066	969	899	846	804	769	714	672	638	-	-	-
		100000	2087	1447	1220	969	846	769	714	672	638	610	567	533	506	-	-	-
2 11/16 70MM	3-211 5314	5000	3311	3311	3311	2793	2440	2217	2058	1936	1839	1759	1633	1537	1460	1396	1296	1220
		10000	3311	3311	2793	2217	1936	1759	1633	1537	1460	1396	1296	1220	1159	-	-	-
		30000	3311	2296	1936	1537	1343	1220	1132	1066	1012	968	899	846	803	-	-	-
		50000	2793	1936	1633	1296	1132	1029	955	899	854	817	758	713	678	-	-	-
		100000	2217	1537	1296	1029	899	817	758	713	678	648	602	566	538	-	-	-
2 15/16 75MM 3	3-215 5315 3-3	5000	3885	3885	3885	3277	2863	2601	2415	2272	2158	2064	1916	1803	1713	1639	1521	1431
		10000	3885	3885	3277	2601	2272	2064	1916	1803	1713	1639	1521	1431	-	-	-	-
		30000	3885	2694	2272	1803	1575	1431	1329	1250	1188	1136	1055	992	-	-	-	-
		50000	3277	2272	1916	1521	1329	1207	1121	1055	1002	985	890	837	-	-	-	-
		100000	2601	1803	1521	1207	1055	958	890	837	795	761	706	664	-	-	-	-
80MM 3 3/16	5316 3-33	5000	3975	3975	3975	3516	3071	2791	2591	2438	2316	2215	2056	1935	1838	1758	1632	1536
		10000	3975	3975	3516	2791	2438	2215	2056	1935	1838	1758	1632	1536	-	-	-	-
		30000	3975	2890	2438	1935	1690	1536	1426	1342	1274	1219	1132	1065	-	-	-	-
		50000	3516	2438	2056	1632	1426	1295	1202	1132	1075	1028	954	898	-	-	-	-
		100000	2791	1935	1632	1295	1132	1028	954	898	853	816	757	713	-	-	-	-
3 7/16	3-37	5000	4812	4812	4812	4059	3546	3222	2991	2814	2673	2557	2374	2234	2122	2029	1884	-
		10000	4812	4812	4059	3222	2814	2557	2374	2234	2122	2029	1884	-	-	-	-	-
		30000	4812	3337	2814	2334	1951	1773	1646	1549	1471	1407	1306	-	-	-	-	-
		50000	4059	2814	2374	1884	1646	1495	1388	1306	1241	1187	1102	-	-	-	-	-
		100000	3222	2234	1884	1495	1306	1187	1102	1037	985	942	874	-	-	-	-	-
100MM 3 15/16 4	5320 3-315 3-4	5000	6673	6673	6673	5628	4917	4467	4147	3902	3707	3546	-	-	-	-	-	-
		10000	6673	6673	5628	4467	3902	3546	3291	3097	2942	2814	-	-	-	-	-	-
		30000	6673	4627	3902	3097	2706	2458	2282	2148	2040	1951	-	-	-	-	-	-
		50000	5628	3902	3291	2612	2282	2074	1925	1811	1721	1646	-	-	-	-	-	-
		100000	4467	3097	2612	2074	1811	1646	1528	1438	1366	1306	-	-	-	-	-	-
4 7/16 4 15/16	3-47 3-415	5000	7975	7975	7975	7054	6163	5599	5198	4891	4646	4444	-	-	-	-	-	-
		10000	7975	7975	7054	5599	4891	4444	4125	3882	3688	3527	-	-	-	-	-	-
		30000	7975	5799	4891	3882	3391	3081	2860	2692	2557	2446	-	-	-	-	-	-
		50000	7054	4891	4125	3274	2860	2599	2413	2270	2157	2063	-	-	-	-	-	-
		100000	5599	3882	3274	2599	2270	2063	1915	1802	1712	1637	-	-	-	-	-	-

Double Lock ratings same as standard inserts.
For bearing selection and engineering, see page 176.

SEALMASTER®

WORLD LEADER

World's Most Specified Bearings... IN A CLASS BY THEMSELVES



The renowned *SEALMASTER* Gold Line offers superlative performance across the broad spectrum of industrial applications. The *SEALMASTER* name is unquestionably the most respected as well as the most specified in all the varieties of mounted ball bearings now offered. The reason: *they perform* with fewer failures, less downtime, increased productivity and longer life. When you specify: "*SEALMASTER GOLD LINE BALL BEARINGS -NO SUBSTITUTIONS*" - you save your company money in any number of ways thanks to the outstanding integrity of these premium products.

THE GOLD STANDARD IS THE STANDARD OF EXCELLENCE

No other commercially marketed bearings combine the exclusive features, and the resultant user benefits, with the surpassing quality of the *SEALMASTER* Gold Line. They are truly set apart from all the others, the absolute best mounted bearings that money can buy – *bar none!*

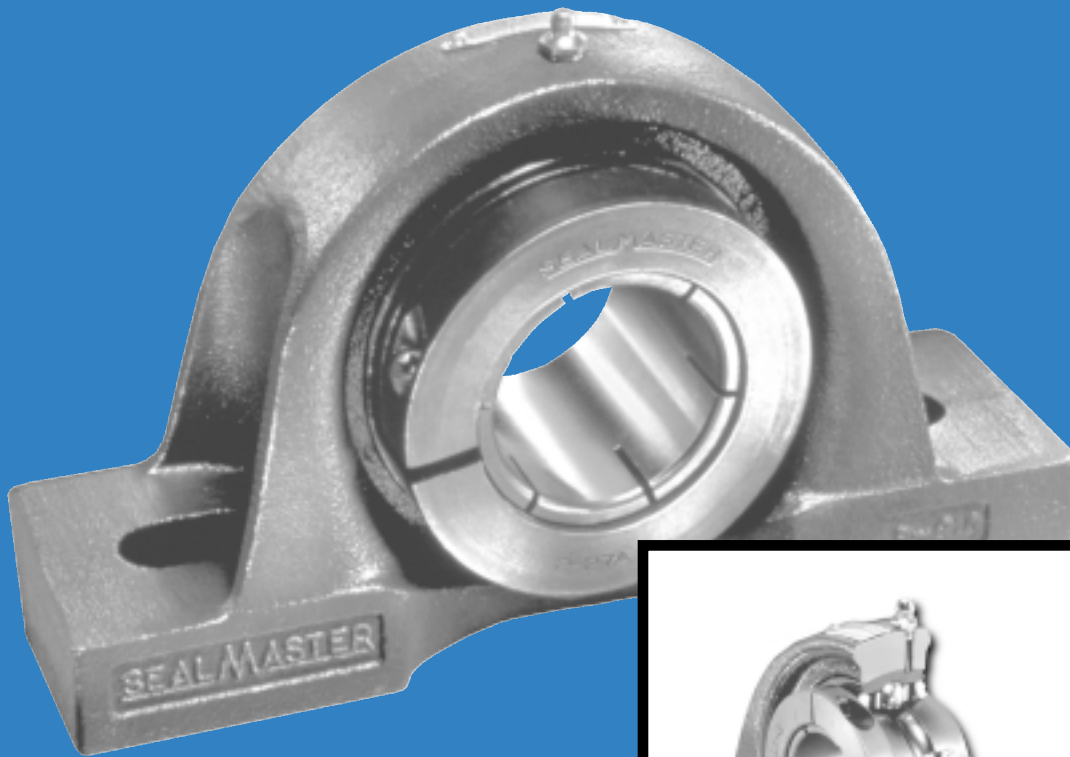
As a result, they run quieter and cooler, last much longer even in the most demanding applications, cost less to own and operate in the final analysis. Why else would more and more knowledgeable engineers continue to specify these bearings, now for over half a century? And why else would all the other bearing manufacturers try so hard to emulate the quality and performance of *SEALMASTER Gold Line Bearings*...but *fail* to match our stringent standards of excellence?

Millions of *SEALMASTER* bearings are in operation in demanding applications world-wide: in a variety of food processing industries, in material handling, air conditioning and environmental machinery, in foundries, grain handling and agriculture and in almost every other conceivable industrial service. Many of these units operate under the most severe and often hostile conditions, while still providing long life and trouble-free service, enabling users to consistently reach *and exceed* the predictable bearing fatigue life, without costly failure and unproductive downtime.

For more information on custom solutions, designed for specific applications see page 129.

SKWEZLOC[®]

The *Outstanding*
Bearing-To-Shaft
Locking System



SEALMASTER[®]
GOLD LINE BALL BEARINGS

Specified In A Broad Range Of Demanding Applications Across Industry

Because of Their Proven Locking Reliability

SEALMASTER Gold Line ball bearings with SKWEZLOC locking collars are applied on higher speed applications, such as fans, blowers and other higher RPM air handling and rotating machinery. They are also applied on higher speed paper, printing and textile machinery, food and grain handling mechanisms. The SKWEZLOC bearing has demonstrated its proven performance in any number of applications demanding smooth and quiet operation.

For more discussion of specific applications, see page 129.

Widely Available From National and Local Stocks...In All Popular Designs

SEALMASTER Gold Line ball bearings with the exclusive SKWEZLOC locking collars are offered in the full range of mounted bearing configurations in both standard and medium duty designs. Most of the more popular sizes and types shown in the following table are available for immediate delivery from our strategically located national and local inventories. For additional information on availability and delivery, please consult your nearest "Emerson Power Transmission" Service Center shown on the back cover of this catalog.

Table 1 – Availability of SEALMASTER® Gold Line Bearings With SKWEZLOC® Locking Collar...Bore Sizes And Series

BORE SIZE (inches)	PILLOW BLOCKS						FLANGE UNITS						CARTRIDGE UNITS		TAKE-UP UNITS		INSERTS			
	STANDARD DUTY				MEDIUM DUTY		STANDARD DUTY			MEDIUM DUTY			STANDARD DUTY	MEDIUM DUTY	STANDARD DUTY	MEDIUM DUTY	STYLE "A" STD DUTY			
	NP-T	NPL-T	SP-T	TB-T	MP-T	EMP-T	FB-T	TFT-T	SF-T	SFT-T	SFC-T	MSF-T	MSFT-T	MFC-T	SC-T	MSC-T	ST-T	MST-T	ER-T	AR-T
3/4	■	■					■	■	■								■		■	■
15/16	■	■	■	■		■	■	■	■	■					■		■			■
1	■	■	■	■	■	■	■	■	■	■		■	■	■	■	■	■	■	■	■
1 1/8	■	■	■	■			■	■	■	■	■				■		■			■
1 3/16	■	■	■	■	■	■	■	■	■	■	■	■	■	■	■	■	■	■	■	■
1 1/4	■	■	■	■	■		■	■	■	■	■	■	■	■	■	■	■	■	■	■
1 3/8	■	■	■	■			■	■	■	■	■				■		■			■
1 7/16	■	■	■	■	■	■	■	■	■	■	■	■	■	■	■	■	■	■	■	■
1 1/2	■	■	■	■	■	■			■	■	■	■	■	■	■	■	■	■	■	■
1 5/8	■	■	■	■					■	■	■				■		■			■
1 11/16	■	■	■	■	■	■			■	■	■	■	■	■	■	■	■	■	■	■
1 3/4	■	■	■	■	■				■	■	■	■	■	■	■	■	■	■	■	■
1 15/16	■	■	■	■	■	■	■	■	■	■	■	■	■	■	■	■	■	■	■	■
2R	■	■	■	■			■	■	■	■				■		■				■
2	■	■	■		■				■	■	■	■	■	■	■	■	■	■	■	■
2 1/8	■	■	■						■	■	■				■		■			■
2 3/16	■	■	■		■	■			■	■	■	■	■	■	■	■	■	■	■	■
2 1/4	■	■	■		■				■	■	■	■	■	■	■	■	■	■	■	■
2 3/8	■	■	■						■	■				■		■				■
2 7/16	■	■	■		■				■	■				■		■			■	■

■ = Available in this size/series



“Rings True” – Every Time...

Because the SKWEZLOC collar centers the shaft concentrically in the bore of the bearing, the shaft runs true and you save on bearing maintenance and replacement costs. Because there is no setscrew, shaft marring is avoided. Ballpath roundness is maintained.

The Key to Overall Locking Performance...

The patented design of the unique SKWEZLOC locking collar puts it a world apart from ordinary shaft locking devices. Six equally-spaced centering surfaces (inner race fingers or extension tabs) grip the shaft and hold it tight, locating it in near-perfect concentricity with the race. Fretting corrosion is reduced. Balancing of the assembly is readily attained and locking reliability is maintained.

“Putting the Collar” On Vibration...

The design of the unique SKWEZLOC collar and the near-perfect shaft centering greatly reduces out-of-balance vibrational forces that tend to shorten bearing life. Fretting corrosion is also minimized.

Overall Locking Performance Plus All the Other GOLD LINE Bearing Features and Benefits. These exclusive engineered features set all GOLD LINE bearings apart from the others:

- Exclusive locking pin and dimple system.
- Inner and outer races of high quality 52100 vacuum degassed steel.
- Solid base cast iron housing.
- Extra wide inner and outer races.
- Zone hardened inner race.
- Patented felt labyrinth seal.
- Unique land riding metal ball retainer.
- Black oxide coating...and many more standard features and options.

Lock In Bearing Performance...

When you specify SEALMASTER mounted ball bearings with the exclusive SKWEZLOC locking collar, you put a lock on proven quality and performance. You enhance operating conditions because you automatically eliminate most of the mechanical variables that can cause premature locking failure. The “Ballpath Roundness vs. Shaft Locking Mechanism” test data on page 67 demonstrates graphically the low distortion characteristics that the SKWEZLOC bearing design yields in comparison to other available locking systems.



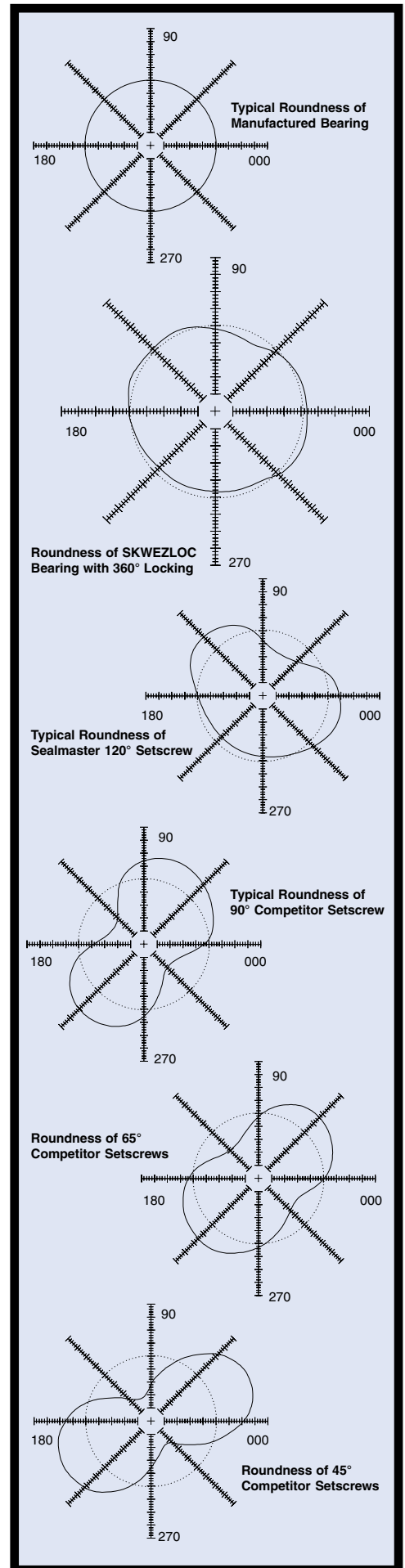
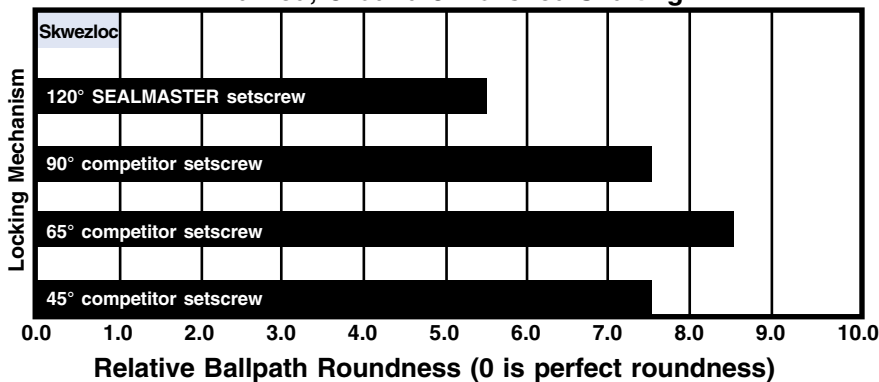
Ballpath Roundness VS Shaft Locking Mechanism

Tests Show That SKWEZLOC® Design Maintains Ballpath Roundness Up To 6-9 Times More Effectively Than Setscrew Methods

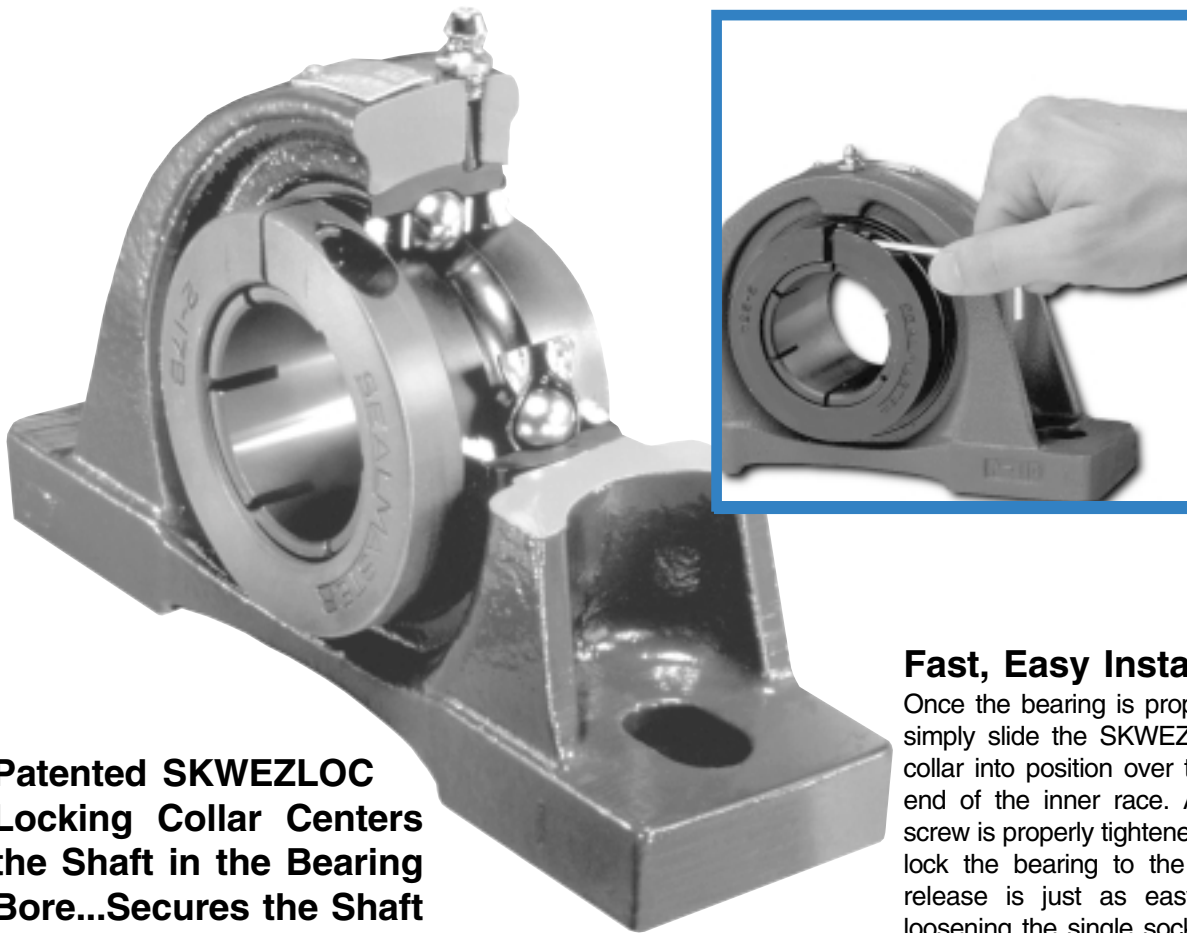
SEALMASTER engineers have measured the relative ballpath roundness of various setscrew bearings compared to the roundness of a SEALMASTER bearing equipped with a SKWEZLOC locking collar. The results and comparisons are illustrated below. The differences – *all of which can affect bearing operation and life – are dramatic!*



Turned, Ground & Polished Shafting



THE GOLD STANDARD With The Outstanding SKWEZLOC® Bearing-To-Shaft Locking System



Patented SKWEZLOC Locking Collar Centers the Shaft in the Bearing Bore...Secures the Shaft with Near-Perfect Concentricity

- Quieter smoother operation at higher speeds.
- Quickly, easily installed, removed and/or repositioned.
- Shaft protected from scoring or burring.
- Reduced out-of-balance vibrational forces and fretting corrosion.

Smooth Operators...

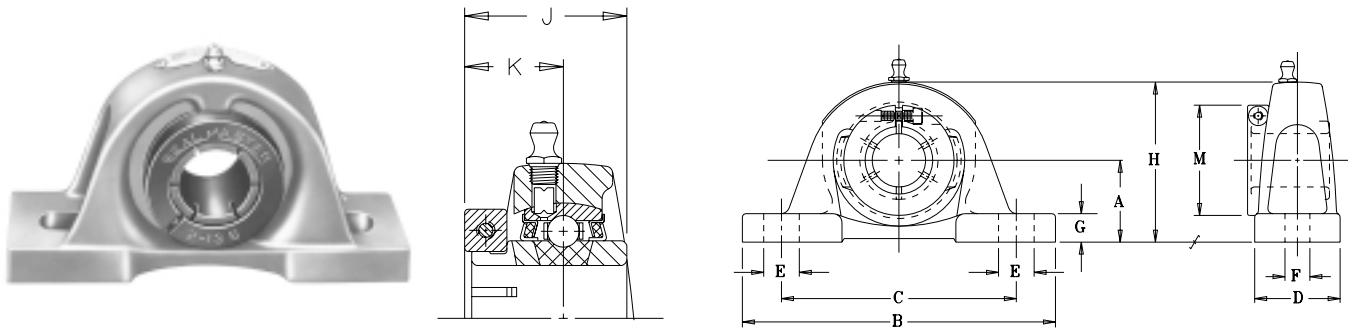
With the shaft and bearing in near perfect concentricity, these premium *SEALMASTER* bearings run smoother and quieter - the qualities you equate with better performance and longer bearing life. This feature also allows operation at higher speeds than setscrew designs. **Refer to page 77 for speed capabilities.**

Fast, Easy Installation...

Once the bearing is properly located, simply slide the SKWEZLOC locking collar into position over the extended end of the inner race. A single cap screw is properly tightened to securely lock the bearing to the shaft. Shaft release is just as easy by simply loosening the single socket head cap screw.

Simplified Repositioning...

Some applications require the frequent repositioning of the bearing on the shaft. Eccentric collars with locking setscrews may leave a burr which can cause problems. Because of the uniform concentric hold of the SKWEZLOC collar, repositioning is easy.

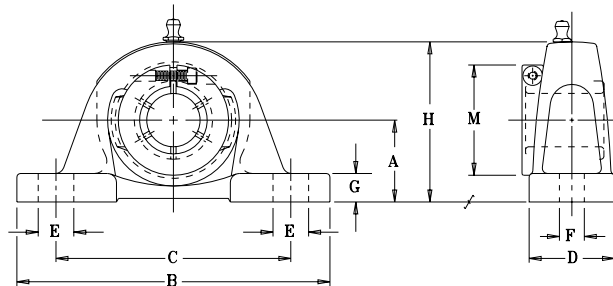
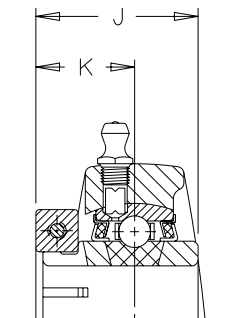


NP-T Series Standard Duty Pillow Blocks...Skwezloc Locking

SHAFT DIAM. IN	PART NO.	BRG. NO.	Dimensions in Inches												BOLT SIZE IN.	UNIT WT.
			A	B	C		D	E	F	G	H	J	K	M		
					MIN.	MAX.										
3/4	NP-12T	2-012T	1 5/16	5	3 3/8	4 1/8	1 1/2	3/4	7/16	1/2	2 9/16	1 9/32	25/32	1 3/4	3/8	2.0
15/16 1	NP-15T NP-16T	2-015T 2-1T	1 7/16	5 1/2	3 7/8	4 3/8	1 1/2	5/8	7/16	1/2	2 13/16	1 7/16	7/8	1 15/16	3/8	2.4
1 1/8 1 3/16 1 1/4	NP-18T NP-19T NP-20RT	2-12T 2-13T 1-14T	1 11/16	6 1/2	4 7/16	5 1/16	1 7/8	13/16	9/16	9/16	3 3/8	1 9/16	15/16	2 3/16	1/2	3.8
1 1/4 1 3/8 1 7/16	NP-20T NP-22T NP-23T	2-14T 2-16T 2-17T	1 7/8	6 9/16	4 11/16	5 5/16	1 7/8	13/16	9/16	5/8	3 3/4	1 3/4	1 1/16	2 7/16 2 9/16	1/2	4.8
1 1/2 1 9/16	NP-24T NP-25T	2-18T 2-19T	1 15/16	7 1/4	4 7/8	5 7/8	2 1/8	1	9/16	11/16	3 15/16	2	1 1/4	2 11/16	1/2	6.0
1 5/8 1 11/16 1 3/4	NP-26T NP-27T NP-28T	2-110T 2-111T 2-112T	2 1/8	7 1/2	5 7/16	6 1/16	2 1/8	13/16	9/16	11/16	4 1/4	2	1 1/4	2 13/16 2 15/16	1/2	6.8
1 15/16 2	NP-31T NP-32RT	2-115T 1-2T	2 1/4	8 1/8	6	6 1/2	2 3/8	7/8	11/16	3/4	4 9/16	2 3/32	1 11/32	3 3/8	5/8	8.5
2 2 1/8 2 3/16	NP-32T NP-34T NP-35T	2-2T 2-22T 2-23T	2 1/2	8 5/8	6 1/2	7	2 3/8	7/8	11/16	3/4	5	2 1/4	1 3/8	3 1/2 3 5/8	5/8	10.3
2 1/4 2 3/8 2 7/16	NP-36T NP-38T NP-39T	2-24T 2-26T 2-27T	2 3/4	9 1/2	6 7/8	7 5/8	2 3/4	1	11/16	7/8	5 9/16	2 5/8	1 5/8	4 1/16 4 1/8	5/8	14.9

NPL-T Series Standard Duty Pillow Blocks...Skwezloc Locking

SHAFT DIAM. IN	PART NO.	BRG. NO.	Dimensions in Inches												BOLT SIZE IN.	UNIT WT.
			A	B	C		D	E	F	G	H	J	K	M		
					MIN.	MAX.										
3/4	NPL-12T	2-012T	1 1/4	5	3 3/8	4 1/8	1 1/2	3/4	7/16	7/16	2 1/2	1 9/32	25/32	1 3/4	3/8	1.8
15/16 1	NPL-15T NPL-16T	2-015T 2-1T	1 5/16	5 1/2	3 7/8	4 3/8	1 1/2	5/8	7/16	1/2	2 11/16	1 7/16	7/8	1 15/16	3/8	2.2
1 1/8 1 3/16 1 1/4	NPL-18T NPL-19T NPL-20RT	2-12T 2-13T 1-14T	1 9/16	6 1/2	4 7/16	5 1/16	1 7/8	13/16	9/16	7/16	3 1/4	1 9/16	15/16	2 3/16	1/2	3.8
1 1/4 1 3/8 1 7/16	NPL-20T NPL-22T NPL-23T	2-14T 2-16T 2-17T	1 13/16	6 9/16	4 11/16	5 5/16	1 7/8	13/16	9/16	9/16	3 11/16	1 3/4	1 1/16	2 7/16 2 9/16	1/2	4.7
1 1/2 1 9/16	NPL-24T NPL-25T	2-18T 2-19T	1 15/16	7 1/4	4 7/8	5 7/8	2 1/8	1	9/16	11/16	3 15/16	2	1 1/4	2 11/16	1/2	6.0
1 5/8 1 11/16 1 3/4	NPL-26T NPL-27T NPL-28T	2-110T 2-111T 2-112T	2 1/16	7 1/2	5 7/16	6 1/16	2 1/8	13/16	9/16	5/8	4 3/16	2	1 1/4	2 13/16 2 15/16	1/2	6.5
1 15/16 2	NPL-31T NPL-32RT	2-115T 1-2T	2 3/16	8 1/8	6	6 1/2	2 3/8	7/8	11/16	11/16	4 1/2	2 3/32	1 11/32	3 3/8	5/8	8.4
2 2 1/8 2 3/16	NPL-32T NPL-34T NPL-35T	2-2T 2-22T 2-23T	2 7/16	8 5/8	6 1/2	7	2 3/8	7/8	11/16	11/16	4 15/16	2 1/4	1 3/8	3 1/2 3 5/8	5/8	10.2
2 1/4 2 3/8 2 7/16	NPL-36T NPL-38T NPL-39T	2-24T 2-26T 2-27T	2 11/16	9 1/2	6 7/8	7 5/8	2 3/4	1	11/16	13/16	5 1/2	2 5/8	1 5/8	4 1/16 4 1/8	5/8	14.7

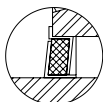


SP-T Series Standard Duty Pillow Blocks...Skwezloc Locking

SHAFT DIAM. IN MM	PART NO.	BRG. NO.	Dimensions in Inches													BOLT SIZE IN.	UNIT WT.
			A	B	C		D	E	F	G	H	J	K	M			
					MIN.	MAX.											
15/16 1	SP-15T SP-16T	2-015T 2-1T	1 3/4	7	5 1/8	5 5/8	2	3/4	9/16	9/16	3 5/16	1 7/16	7/8	1 15/16	1/2	3.8	
1 1/8 1 3/16 1 1/4	SP-18T SP-19T SP-20RT	2-12T 2-13T 1-14T	2	7 1/2	5 3/8	6 1/8	2	7/8	9/16	5/8	3 7/8	1 9/16	15/16	2 3/16	1/2	5.2	
1 1/4 1 3/8 1 7/16	SP-20T SP-22T SP-23T	2-14T 2-16T 2-17T	2 3/8	8 1/4	5 5/8	6 7/8	2 1/4	1 1/4	3/4	3/4	4 1/2	1 3/4	1 1/16	2 7/16 2 9/16	5/8	7.3	
1 1/2 1 9/16	SP-24T SP-25T	2-18T 2-19T	2 5/16	8 1/2	5 7/8	7 1/8	2 3/8	1 1/4	3/4	3/4	4 9/16	2	1 1/4	2 11/16	5/8	7.9	
1 5/8 1 11/16 1 3/4	SP-26T SP-27T SP-28T	2-110T 2-111T 2-112T	2 3/8	8 3/4	5 7/8	7 1/8	2 3/8	1 1/4	3/4	3/4	4 5/8	2	1 1/4	2 13/16 2 15/16	5/8	8.4	
1 15/16 2	SP-31T SP-32RT	2-115T 1-2T	2 3/4	10 1/2	6 3/4	8 1/2	2 1/2	1 1/2	3/4	7/8	5 5/16	2 3/32	1 11/32	3 3/8	5/8	12.2	
2 2 1/8 2 3/16	SP-32T SP-34T SP-35T	2-2T 2-22T 2-23T	3 1/8	11 1/4	7 5/8	9 3/8	2 3/4	1 1/2	3/4	7/8	5 15/16	2 1/4	1 3/8	3 1/2 3 5/8	5/8	14.7	
2 1/4 2 3/8 2 7/16	SP-36T SP-38T SP-39T	2-24T 2-26T 2-27T	3 1/8	11 1/2	7 7/8	9 3/8	3	1 1/2	7/8	7/8	6 1/16	2 5/8	1 5/8	4 1/16 4 1/8	3/4	17.7	

For Load Ratings, see page 77.

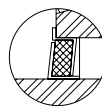
For Standard Duty SKWEZLOC Bearing Inserts, see page 76.



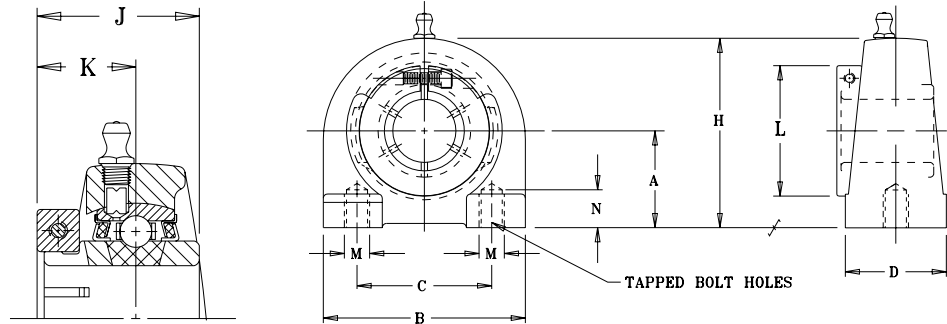
Felt Seal Standard
Positive sealing for low, medium, and high speed operation.



Single Lip Contact Seal
Available on all sizes. Recommended where moisture conditions prevail. To specify, add suffix "C" (SP-16TC).



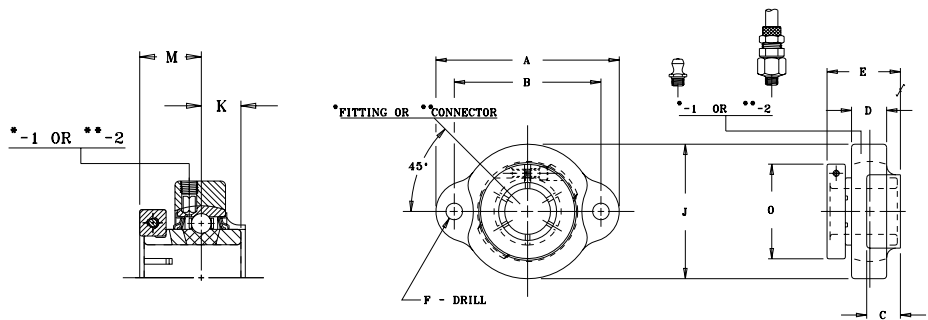
Hi-Temp Seal
Available as an option where operating temperatures are in 250-400° range. (See seal options on page 188).



* Bearing reversed in housing for collar clearance.

TB-T Series Tapped Base Pillow Blocks...Skwezloc Locking

SHAFT DIAM. IN	PART NO.	BRG. NO.	Dimensions in Inches								N MIN. TAP DEPTH	M BOLT UNC- THREAD	UNIT WT.
			A	B	C	D	H	J	K	L			
3/4	*TB-12T	2-012T	1 5/16	3 1/8	2	1 1/2	2 9/16	1 9/32	25/32	1 3/4	1/2	3/8-16	1.8
15/16 1	TB-15T TB-16T	2-015T 2-1T	1 7/16	3	2	1 1/2	2 13/16	1 7/16	7/8	1 15/16	1/2	3/8-16	2.0
1 1/8 1 3/16 1 1/4	TB-18T TB-19T TB-20RT	2-12T 2-13T 1-14T	1 11/16	4	3	1 1/2	3 13/32	1 9/16	15/16	2 3/16	5/8	7/16-14	3.7
1 1/4 1 3/8 1 7/16	TB-20T TB-22T TB-23T	2-14T 2-16T 2-17T	1 7/8	4 1/4	3 1/4	1 7/8	3 3/4	1 3/4	1 1/16	2 7/16 2 9/16	3/4	1/2-13	4.8
1 1/2 1 9/16	TB-24T TB-25T	2-18T 2-19T	1 15/16	4 5/8	3 1/2	1 7/8	3 15/16	2	1 1/4	2 11/16	3/4	1/2-13	6.3
1 5/8 1 11/16 1 3/4	TB-26T TB-27T TB-28T	2-110T 2-111T 2-112T	2 1/8	5	3 3/4	2	4 1/4	2	1 1/4	2 13/16 2 15/16	3/4	1/2-13	6.8
1 15/16 2	TB-31T TB-32RT	2-115T 1-2T	2 1/4	5 1/2	4	2	4 5/8	2 3/32	1 11/32	3 3/8	7/8	5/8-11	8.6



TFT-T Series Standard Duty Two-Bolt Flange Units...Skwezloc Locking

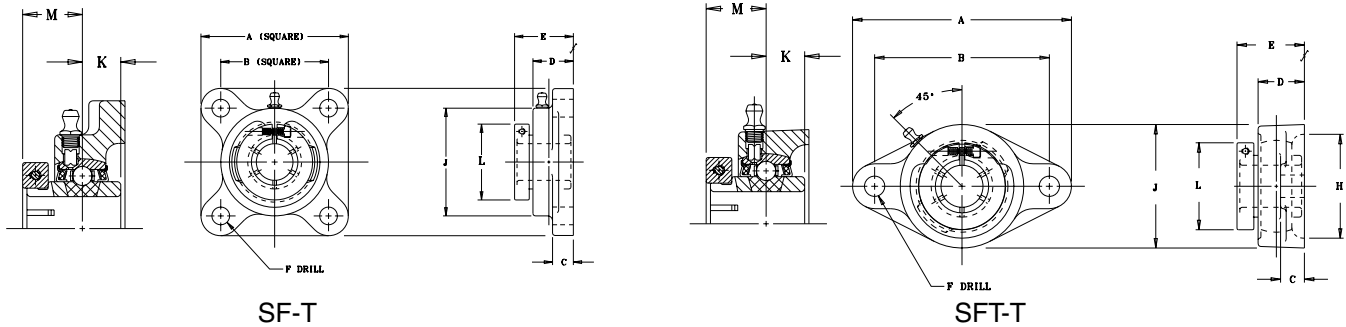
SHAFT DIAM. IN	PART NO.	BRG. NO.	Dimensions in Inches										UNIT WT.
			A	B	C	D	E	F	J	K	M	O	
15/16 1	TFT-15TC TFT-16TC	2-015TC 2-1TC	3 3/4	3	11/16	23/32	1 1/2	25/64	2 3/4	9/16	7/8	1 15/16	1.6
1 1/8 1 3/16	TFT-18TC TFT-19TC	2-12TC 2-13TC	4 7/16	3 9/16	13/16	7/8	1 5/8	25/64	3 1/4	5/8	15/16	2 3/16	2.3
1 1/4 1 3/8 1 7/16	TFT-20TC TFT-22TC TFT-23TC	2-14TC 2-16TC 2-17TC	4 7/8	3 15/16	7/8	15/16	1 13/16	25/64	3 11/16	11/16	1 1/16	2 7/16 2 9/16	3.0

* To specify, add -1 suffix, as TFT-15TC-1, etc.
 **To specify, add -2 suffix, as TFT-15TC-2, etc.

For load ratings, see page 77.
 For standard duty SKWEZLOC Inserts, see page 76. See page 70 for seal arrangements.



MOUNTED BALL BEARINGS SEALMASTER®



SF-T Series Standard Duty Four-Bolt Flange Units...Skwezloc Locking

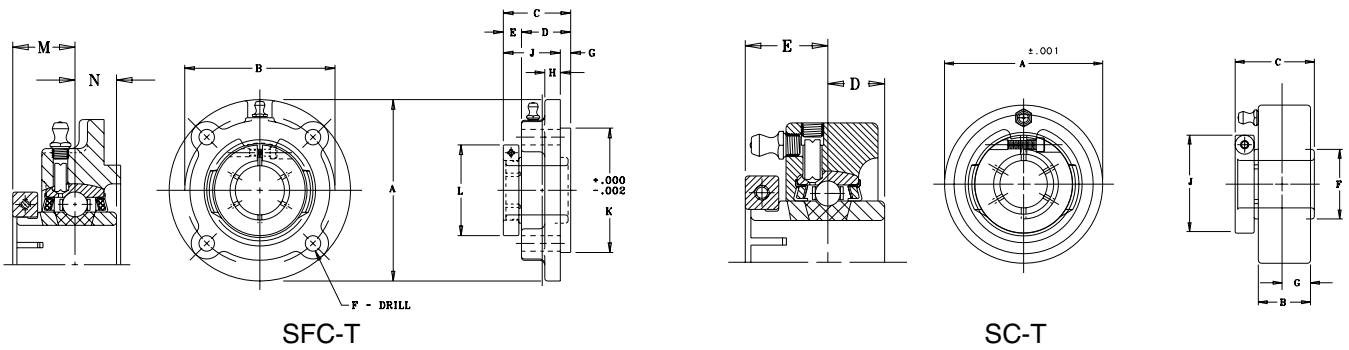
SHAFT DIAM. IN	PART NO.	BRG. NO.	Dimensions in Inches										UNIT WT.
			A	B	C	D	E	F	J	K	L	M	
3/4	SF-12T	2-012T	3 3/8	2 1/2	7/16	15/16	1 11/32	25/64	2 3/8	1/2	1 3/4	25/32	1.6
15/16	SF-15T	2-015T	3 3/4	2 3/4	17/32	1 1/32	1 1/2	15/32	2 23/32	9/16	1 15/16	7/8	2.3
1 1/8	SF-18T	2-12T	4 1/4	3 1/4	17/32	1 11/64	1 5/8	15/32	3 7/32	5/8	2 3/16	15/16	3.8
1 3/16	SF-19T	2-13T											
1 1/4	SF-20RT	1-14T											
1 1/4	SF-20T	2-14T	4 5/8	3 5/8	9/16	1 11/32	1 13/16	17/32	3 23/32	11/16	2 7/8	1 1/16	4.4
1 3/8	SF-22T	2-16T									2 9/16		
1 7/16	SF-23T	2-17T											
1 1/2	SF-24T	2-18T	5 1/8	4	9/16	1 1/2	2 5/64	17/32	4 5/64	3/4	2 11/16	1 1/4	5.8
1 9/16	SF-25T	2-19T											
1 5/8	SF-26T	2-110T	5 3/8	4 1/8	9/16	1 9/16	2 7/64	19/32	4 21/64	3/4	2 13/16	1 1/4	6.0
1 11/16	SF-27T	2-111T									2 15/16		
1 3/4	SF-28T	2-112T											
1 15/16	SF-31T	2-115T	5 5/8	4 3/8	9/16	1 9/16	2 7/32	19/32	4 9/16	3/4	3 3/8	1 11/32	7.0
2	SF-32RT	1-2T											
2	SF-32T	2-2T	6 3/8	5 1/8	13/16	1 3/4	2 3/8	21/32	5 1/4	7/8	3 1/2	1 3/8	11.1
2 1/8	SF-34T	2-22T									3 5/8		
2 3/16	SF-35T	2-23T											
2 1/4	SF-36T	2-24T	6 7/8	5 5/8	13/16	1 15/16	2 3/4	21/32	5 7/16	1	4 1/16	1 5/8	13.0
2 3/8	SF-38T	2-26T									4 1/8		
2 7/16	SF-39T	2-27T											

SFT-T Series Standard Duty Two-Bolt Flange Units...Skwezloc Locking

SHAFT DIAM. IN	PART NO.	BRG. NO.	Dimensions in Inches											UNIT WT.
			A	B	C	D	E	F	H CORED	J	K	L	M	
3/4	SFT-12T	2-012T	4 13/32	3 17/32	7/16	15/16	1 11/32	13/32	2	2 3/8	1/2	1 3/4	25/32	1.3
15/16	SFT-15T	2-015T	4 7/8	3 57/64	17/32	1 1/32	1 1/2	15/32	2 3/8	2 3/4	9/16	1 15/16	7/8	1.8
1	SFT-16T	2-1T												
1 1/8	SFT-18T	2-12T	5 9/16	4 19/32	17/32	1 11/64	1 5/8	15/32	2 7/8	3 1/4	5/8	2 3/16	15/16	2.4
1 3/16	SFT-19T	2-13T												
1 1/4	SFT-20RT	1-14T												
1 1/4	SFT-20T	2-14T	6 1/8	5 1/8	9/16	1 11/32	1 13/16	17/32	3 5/16	3 3/4	11/16	2 7/16	1 1/16	3.5
1 3/8	SFT-22T	2-16T										2 9/16		
1 7/16	SFT-23T	2-17T												
1 1/2	SFT-24T	2-18T	6 3/4	5 21/32	9/16	1 1/2	2 5/64	17/32	3 1/2	4 1/8	3/4	2 11/16	1 1/4	4.8
1 9/16	SFT-25T	2-19T												
1 5/8	SFT-26T	2-110T	7 1/16	5 27/32	9/16	1 9/16	2 7/64	19/32	3 7/8	4 3/8	3/4	2 13/16	1 1/4	5.3
1 11/16	SFT-27T	2-111T										2 15/16		
1 3/4	SFT-28T	2-112T												
1 15/16	SFT-31T	2-115T	7 7/16	6 3/16	9/16	1 9/16	2 7/32	19/32	4	4 9/16	3/4	3 3/8	1 11/32	6.0
2	SFT-32RT	1-2T												
2	SFT-32T	2-2T	8 1/2	7 1/4	13/16	1 3/4	2 3/8	21/32	4 1/4	5 1/4	7/8	3 1/2	1 3/8	9.0
2 1/8	SFT-34T	2-22T										3 5/8		
2 3/16	SFT-35T	2-23T												

For Load Ratings, see page 77.

For Standard Duty SKWEZLOC Bearing Inserts, see page 76. See page 70 for seal arrangements. For custom seals, see page 188.



SFC-T Series Standard Duty Flange Cartridge Units...Skwezloc Locking

SHAFT DIAM. IN	PART NO.	BRG. NO.	Dimensions In Inches													UNIT WT.
			A	B	C	D	E	F	G	H	J	K	L	M	N	
1 1/8 1 3/16 1 1/4	SFC-18T SFC-19T SFC-20RT	2-12T 2-13T 1-14T	4 3/8	3 5/8	1 5/8	1 3/16	7/16	3/8	1/4	3/8	1 3/8	3.000	2 3/16	15/16	11/16	3.2
1 1/4 1 3/8 1 7/16	SFC-20T SFC-22T SFC-23T	2-14T 2-16T 2-17T	5	4 1/8	1 3/4	1 1/4	1/2	7/16	3/8	3/8	1 3/8	3.375	2 7/16 2 9/16	1 1/16	11/16	4.2
1 1/2 1 9/16	SFC-24T SFC-25T	2-18T 2-19T	5 1/4	4 3/8	2	1 15/32	17/32	7/16	7/16	7/16	1 9/16	3.625	2 11/16	1 1/4	3/4	5.0
1 5/8 1 11/16 1 3/4	SFC-26T SFC-27T SFC-28T	2-110T 2-111T 2-112T	6 1/8	5 1/8	2	1 7/16	9/16	1/2	7/16	7/16	1 9/16	4.250	2 13/16 2 15/16	1 1/4	3/4	6.3
1 15/16 2	SFC-31T SFC-32RT	2-115T 1-2T	6 1/8	5 1/8	2 3/32	1 15/32	5/8	1/2	15/32	7/16	1 5/8	4.250	3 3/8	1 11/32	3/4	7.1
2 2 1/8 2 3/16	SFC-32T SFC-34T SFC-35T	2-2T 2-22T 2-23T	6 3/8	5 3/8	2 1/4	1 5/8	5/8	1/2	5/8	7/16	1 5/8	4.500	3 1/2 3 5/8	1 3/8	7/8	8.1
2 1/4 2 3/8 2 7/16	SFC-36T SFC-38T SFC-39T	2-24T 2-26T 2-27T	7 1/8	6	2 5/8	1 7/8	3/4	9/16	7/8	1/2	1 3/4	5.000	4 1/16 4 1/8	1 5/8	1	11.7

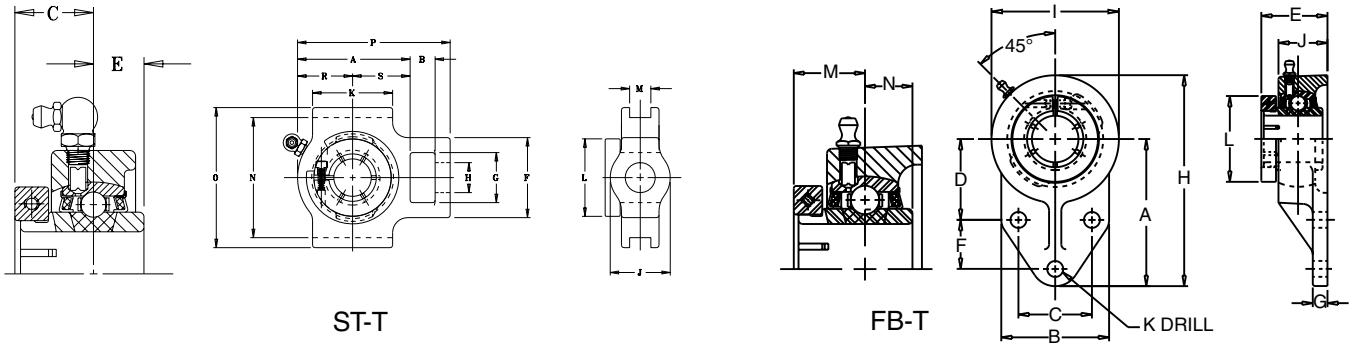
SC-T Series Standard Duty Cartridge Units...Skwezloc Locking

SHAFT DIAM. IN	PART NO.	BRG. NO.	Dimensions In Inches								UNIT WT.
			A	B	C	D	E	F	G	J	
15/16* 1*	SC-15T SC-16T	2-015T 2-1T	3 1/8	1 1/32	1 7/16	9/16	7/8	1 3/8	9/16	1 15/16	1.9
1 1/8* 1 3/16* 1 1/4	SC-18T SC-19T SC-20RT	2-12T 2-13T 1-14T	3 1/2	1 3/32	1 9/16	5/8	15/16	1 19/32	9/16	2 1/16	2.5
1 1/4 1 3/8 1 7/16	SC-20T SC-22T SC-23T	2-14T 2-16T 2-17T	3 7/8	1 7/32	1 3/4	11/16	1 1/16	1 55/64	5/8	2 7/16 2 9/16	3.2
1 1/2 1 9/16	SC-24T SC-25T	2-18T 2-19T	4 3/16	1 15/32	2	3/4	1 1/4	2 1/16	3/4	2 11/16	4.1
1 5/8 1 11/16 1 3/4	SC-26T SC-27T SC-28T	2-110T 2-111T 2-112T	4 3/8	1 7/16	2	3/4	1 1/4	2 19/64	23/32	2 13/16 2 15/16	4.5
1 15/16	SC-31T	2-115T	4 9/16	1 15/32	2 3/32	3/4	1 11/32	2 15/32	3/4	3 3/8	4.9
2 2 1/8 2 3/16	SC-32T SC-34T SC-35T	2-2T 2-22T 2-23T	4 15/16	1 19/32	2 1/4	7/8	1 3/8	2 23/32	27/32	3 1/2 3 5/8	5.8
2 1/4 2 3/8 2 7/16	SC-36T SC-38T SC-39T	2-24T 2-26T 2-27T	5 7/8	1 5/8	2 5/8	1	1 5/8	2 63/64	13/16	4 1/16 4 1/8	9.0

*Misalignment capability reduced.

For Load Ratings, see page 77.

For Standard Duty SKWEZLOC Bearing Inserts, see page 76. See page 70 for seal arrangements. For custom seals, see page 188.



ST-T Series Standard Duty Take-Up Units...Skwezloc Locking

SHAFT DIAM. IN	PART NO.	BRG. NO.	Dimensions in Inches																UNIT WT.
			A	B	C	E	F	G	H Core	J Hub	K	L	M	N	O	P	R	S	
3/4	ST-12T	2-012T	2 11/16	5/8	25/32	1/2	2	1 1/4	3/4	1 3/8	2	1 3/4	17/32	3	3 1/2	3 11/16	1 5/16	1 3/8	2.2
15/16 1	ST-15T ST-16T	2-015T 2-1T	2 13/16	5/8	7/8	9/16	2	1 1/4	3/4	1 1/2	2	1 15/16	17/32	3	3 1/2	3 13/16	1 3/8	1 7/16	2.8
1 1/8 1 3/16 1 1/4	ST-18T ST-19T ST-20RT	2-12T 2-13T 1-14T	3 7/16	5/8	15/16	5/8	2 3/16	1 7/16	7/8	1 3/4	2 1/4	2 3/16	17/32	3 1/2	4	4 7/16	1 11/16	1 3/4	3.6
1 1/4 1 3/8 1 7/16	ST-20T ST-22T ST-23T	2-14T 2-16T 2-17T	3 15/16	5/8	1 1/16	11/16	2 1/2	1 7/16	7/8	1 3/4	2 1/2	2 7/16 2 9/16	17/32	3 1/2	4	5 1/16	2	1 15/16	4.3
1 1/2 1 9/16	ST-24T ST-25T	2-18T 2-19T	4 5/16	3/4	1 1/4	3/4	3 1/4	1 15/16	1 1/8	2 1/8	3 1/4	2 11/16	11/16	4	4 1/2	5 11/16	2 3/16	2 1/8	6.3
1 5/8 1 11/16 1 3/4	ST-26T ST-27T ST-28T	2-110T 2-111T 2-112T	4 5/16	3/4	1 1/4	3/4	3 1/4	1 15/16	1 1/8	2 3/16	3 1/4	2 13/16 2 15/16	11/16	4	4 5/8	5 11/16	2 1/4	2 1/16	6.3
1 15/16 2	ST-31T ST-32RT	2-115T 1-2T	4 1/2	3/4	1 11/32	3/4	3 1/4	1 15/16	1 1/8	2 3/16	3 3/8	3 3/8	11/16	4	4 5/8	5 7/8	2 5/16	2 3/16	6.6
2 2 1/8 2 3/16	ST-32T ST-34T ST-35T	2-2T 2-22T 2-23T	5	1	1 3/8	7/8	4	2 1/2	1 3/8	2 1/4	3 3/4	3 1/2 3 5/8	1 1/16	5 1/8	5 3/4	6 3/4	2 9/16	2 7/16	10.4
2 1/4 2 3/8 2 7/16	ST-36T ST-38T ST-39T	2-24T 2-26T 2-27T	5 5/8	1 1/4	1 5/8	1	4	2 1/2	1 3/8	2 3/8	4	4 1/16 4 1/8	1 1/16	5 1/8	5 3/4	7 5/8	2 15/16	2 11/16	13.4

FB-T Series Standard Duty Three-Bolt Flange Units...Skwezloc Locking

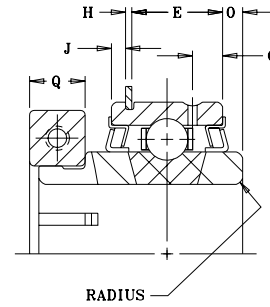
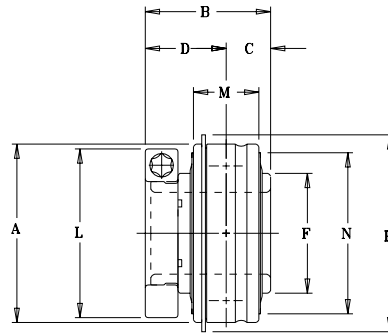
SHAFT DIAM. IN	PART NO.	BRG. NO.	Dimensions in Inches														UNIT WT.
			A	B	C	D	E	F	G	H	I	J	K	L	M	N	
3/4	FB-12T	2-012T	3	2 3/8	1 1/2	1 11/16	1 13/32	7/8	5/16	4 3/16	2 3/8	1	13/32	1 3/4	25/32	1/2	1.4
15/16 1	FB-15T FB-16T	2-015T 2-1T	3 3/8	2 1/2	1 5/8	1 13/16	1 9/16	1 1/8	3/8	4 3/4	2 3/4	1 1/8	13/32	1 15/16	7/8	9/16	2.3
1 1/8 1 3/16 1 1/4	FB-18T FB-19T FB-20RT	2-12T 2-13T 1-14T	3 3/4	2 3/4	1 7/8	2 1/16	1 11/16	1 1/4	3/8	2 3/64	3 7/32	1 1/4	13/32	2 3/16	15/16	5/8	3.2
1 1/4 1 3/8 1 7/16	FB-20T FB-22T FB-23T	2-14T 2-16T 2-17T	4 1/4	3 1/4	2	2 3/8	1 15/16	1 1/4	1/2	6 1/8	3 3/4	1 7/16	17/32	2 7/16 2 9/16	1 1/16	11/16	3.4
1 15/16 2	FB-31T FB-32RT	2-115T 1-2T	5 3/16	5 3/16	2 3/4	2 15/16	2 7/32	1 5/8	1/2	15/32	4 9/16	1 1/2	17/32	3 3/8	1 11/32	3/4	5.7

For Load Ratings, see page 77.

For Standard Duty SKWEZLOC Bearing Inserts, see page 76.

See page 70 for seal arrangements. For custom seals, see page 188.

SEALMASTER® MOUNTED BALL BEARINGS



ER-T Series Style "A" Extended Inner Ring Bearing Assemblies...Skwezloc Locking

SHAFT DIAM. IN	BRG NO.	Dimensions in Inches															UNIT WT.	
		A	B	C	D	E	F	G	H	J	L	M	N	RAD	O	P		Q
3/4	ER-12T	47MM 1.8504	1 9/32	13/32	7/8	31/64	1 3/16	11/64	3/64	3/32	1 3/4	5/8	1 5/8	.040	.094	2 1/16	3/8	.56
1	ER-16T	52MM 2.0472	1 7/16	33/64	59/64	39/64	1 3/8	13/64	3/64	3/32	1 15/16	3/4	1 55/64	.040	.135	2 17/64	3/8	.68
1 1/8 1 3/16	ER-18T ER-19T	62MM 2.4409	1 9/16	5/8	15/16	11/16	1 19/32	7/32	1/16	1/8	2 3/16	7/8	2 5/32	.040	.187	2 21/32	3/8	.93
1 1/4 1 3/8 1 7/16	ER-20T ER-22T ER-23T	72MM 2.8346	1 3/4	11/16	1 1/16	3/4	1 55/64	7/32	1/16	1/8	2 7/16 2 9/16	15/16	2 9/16	.040	.219	3 5/64	7/16	1.37
1 1/2	ER-24T	80MM 3.1496	2	3/4	1 1/4	29/32	2 1/16	1/4	1/16	1/8	2 11/16	1 3/32	2 53/64	.062	.203	3 13/32	7/16	2.00
1 11/16 1 3/4	ER-27T ER-28T	85MM 3.3465	2	3/4	1 1/4	29/32	2 19/64	1/4	1/16	1/8	2 15/16	1 3/32	3 1/16	.062	.203	3 19/32	7/16	2.31
1 15/16	ER-31T	90MM 3.5433	2 3/32	3/4	1 11/32	29/32	2 15/32	19/64	3/32	1/8	3 3/8	1 1/8	3 7/32	.062	.188	3 25/32	9/16	2.43
2 2 3/16	ER-32T ER-35T	100MM 3.9370	2 1/4	7/8	1 3/8	31/32	2 23/32	19/64	3/32	1/8	3 1/2 3 5/8	1 3/16	3 9/16	.080	.281	4 3/16	9/16	3.00
2 7/16	ER-39T	110MM 4.3307	2 5/8	1	1 5/8	1 1/32	2 63/64	19/64	3/32	1/8	4 1/8	1 1/4	3 15/16	.080	.375	4 37/64	11/16	4.00

See load ratings, see page 77.
For standard duty SKWEZLOC Bearing Inserts, see page 76.

Series Style "A" "ER" Mounting Fits Table

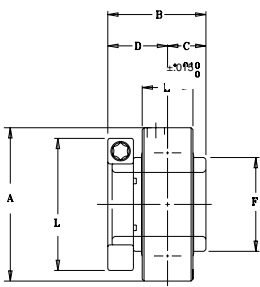
ER HOUSING DIMENSION RECOMMENDATIONS (INCHES)										
SHAFT SIZES	OUTSIDE DIA. OF CARTRIDGE		STATIONARY HOUSING				REVOLVING HOUSING			
	DIAMETERS		DIAMETERS		THEORETICAL FIT		DIAMETERS		THEORETICAL FIT	
	MIN.	MAX.	MIN.	MAX.	TIGHT	LOOSE	MIN.	MAX.	TIGHT	LOOSE
1/2 - 3/4	1.8499	1.8504	1.8503	1.8509	.0001	.0010	1.8498	1.8504	.0006	.0005
7/8 - 1	2.0466	2.0472	2.0471	2.0476	.0001	.0010	2.0466	2.0471	.0006	.0005
1 1/16 - 1 3/16	2.4403	2.4409	2.4408	2.4413	.0001	.0010	2.4403	2.4408	.0006	.0005
1 1/4 - 1 7/16	2.8340	2.8346	2.8345	2.8350	.0001	.0010	2.8340	2.8345	.0006	.0005
1 1/2 - 1 9/16	3.1490	3.1496	3.1495	3.1500	.0001	.0010	3.1490	3.1495	.0006	.0005
1 5/8 - 1 3/4	3.3457	3.3465	3.3464	3.3470	.0001	.0013	3.3458	3.3464	.0007	.0007
1 7/8 - 1 15/16	3.5425	3.5433	3.5432	3.5438	.0001	.0013	3.5426	3.5432	.0007	.0007
2 - 2 3/16	3.9362	3.9370	3.9369	3.9375	.0001	.0013	3.9363	3.9369	.0007	.0007
2 1/4 - 2 3/16	4.3299	4.3307	4.3306	4.3312	.0001	.0013	4.3300	4.3306	.0007	.0007
2 1/2 - 2 11/16	4.9203	4.9213	4.9211	4.9219	.0002	.0016	4.9204	4.9212	.0009	.0009
2 7/8 - 2 15/16	5.1171	5.1181	5.1179	5.1187	.0002	.0016	5.1172	5.1180	.0009	.0009
3 - 3 3/16	5.5108	5.5118	5.5116	5.5124	.0002	.0016	5.5109	5.5117	.0009	.0009
3 1/4 - 3 7/16	5.9045	5.9055	5.9053	5.9061	.0002	.0016	5.9046	5.9054	.0009	.0009
3 11/16 - 4	7.4791	7.4803	7.4801	7.4815	.0002	.0024	7.4791	7.4805	.0012	.0014

* To install an ER Type bearing into a housing, push ONLY on outer ring to avoid damaging balls and races.

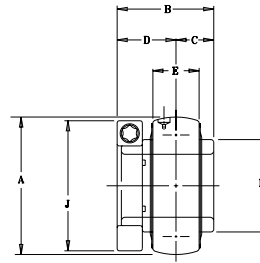
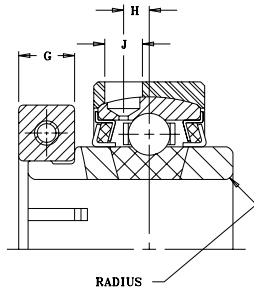
Note: This table is to be used as a guide for machining housings using the "ER" style "A" Extended Inner Ring Bearing.



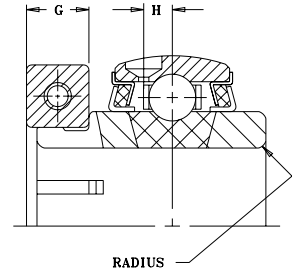
MOUNTED BALL BEARINGS SEALMASTER®



AR-T



INSERT



Standard Duty Skwezloc Bearing Inserts...Skwezloc Locking

SHAFT DIAM. INCH	BRG. NO.	Dimensions in Inches										TORX CAP SCREW	UNIT WT.
		A	B	C	D	E	F	G	H	J	RADIUS		
3/4	2-012T 1.8504	47MM	1 9/32	1/2	23/32	5/8	1 3/16	3/8	9/64	1 3/4	.040	8-32 X 5/8	.6
15/16 1	2-015T 2-1T 2.0472	52MM	1 7/16	9/16	13/16	11/16	1 3/8	3/8	11/64	1 15/16	.040	8-32 X 5/8	.8
1 1/8 1 3/16 1 1/4	2-12T 2-13T 1-14T 2.4409	62MM	1 9/16	5/8	7/8	7/8	1 19/32	3/8	7/32	2 3/16	.040	8-32 X 5/8	1.2
1 1/4 1 3/8 1 7/16	2-14T 2-16T 2-17T 2.8346	72MM	1 3/4	11/16	1	15/16	1 55/64	7/16	1/4	2 7/16 2 9/16	.040	10-24 X 3/4	1.8
1 1/2 1 9/16	2-18T 2-19T 3.1496	80MM	2	3/4	1 3/16	1 3/32	2 1/16	7/16	19/64	2 11/16	.062	10-24 X 3/4	2.2
1 5/8 1 11/16 1 3/4	2-110T 2-111T 2-112T 3.3465	85MM	2	3/4	1 3/16	1 3/32	2 19/64	7/16	19/64	2 13/16 2 15/16	.062	10-24 X 3/4	2.5
1 15/16 2	2-115T 1-2T 3.5433	90MM	2 3/32	3/4	1 9/32	1 1/8	2 15/32	9/16	17/64	3 3/8	.062	1/4-20 X 1	3.0
2 2 1/8 2 3/16	2-2T 2-22T 2-23T 3.9370	100MM	2 1/4	7/8	1 5/16	1 3/16	2 23/32	9/16	19/64	3 1/2 3 5/8	.080	1/4-20 X 1	3.4
2 1/4 2 3/8 2 7/16	2-24T 2-26T 2-27T 4.3307	110MM	2 5/8	1	1 9/16	1 1/4	2 63/64	11/16	21/64	4 1/16 4 1/8	.080	5/16 -18 X 1	4.9

For load ratings, see page 77.

AR-T Series Standard Duty Expansion Units...Skwezloc Locking

SHAFT DIAM. INCH	BRG. NO.	Dimensions in Inches											TORX CAP SCREW	UNIT WT.
		*A	B	C	D	E	F	G	H	J	L	RADIUS		
3/4	AR-2-012T	2.062	1 9/32	1/2	23/32	49/64	1 3/16	3/8	9/64	1/4	1 3/4	.040	8-32 X 5/8	.9
15/16 1	AR-2-015T AR-2-1T	2.272	1 7/16	9/16	13/16	49/64	1 3/8	3/8	11/64	1/4	1 15/16	.040	8-32 X 5/8	1.2
1 1/8 1 3/16 1 1/4	AR-2-12T AR-2-13T AR-1-14T	2.687	1 9/16	5/8	7/8	61/64	1 19/32	3/8	7/32	1/4	2 3/16	.040	8-32 X 5/8	1.7
1 1/4 1 3/8 1 7/16	AR-2-14T AR-2-16T AR-2-17T	3.140	1 3/4	11/16	1	1 1/64	1 55/64	7/16	1/4	1/4	2 7/16 2 9/16	.040	10-24 X 3/4	2.4
1 1/2 1 9/16	AR-2-18T AR-2-19T	3.375	2	3/4	1 3/16	1 11/64	2 1/16	7/16	19/64	1/4	2 11/16	.062	10-24 X 3/4	3.1
1 5/8 1 11/16 1 3/4	AR-2-110T AR-2-111T AR-2-112T	3.562	2	3/4	1 3/16	1 11/64	2 19/64	7/16	19/64	1/4	2 13/16 2 15/16	.062	10-24 X 3/4	3.3
1 15/16 2	AR-2-115T AR-1-2T	3.875	2 3/32	3/4	1 9/32	1 13/64	2 15/32	9/16	17/64	11/32	3 3/8	.062	1/4-20 X 1	4.1
2 2 1/8 2 3/16	AR-2-2T AR-2-22T AR-2-23T	4.250	2 1/4	7/8	1 5/16	1 17/64	2 23/32	9/16	19/64	11/32	3 1/2 3 5/8	.080	1/4-20 X 1	5.0
2 1/4 2 3/8 2 7/16	AR-2-24T AR-2-26T AR-2-27T	4.719	2 5/8	1	1 9/16	1 21/64	2 63/64	11/16	21/64	11/32	4 1/16 4 1/8	.080	5/16 -18 X 1	7.0

* Tolerance +.000", -.0005"

LOAD RATING TABLES - Standard Duty SKWEZLOC

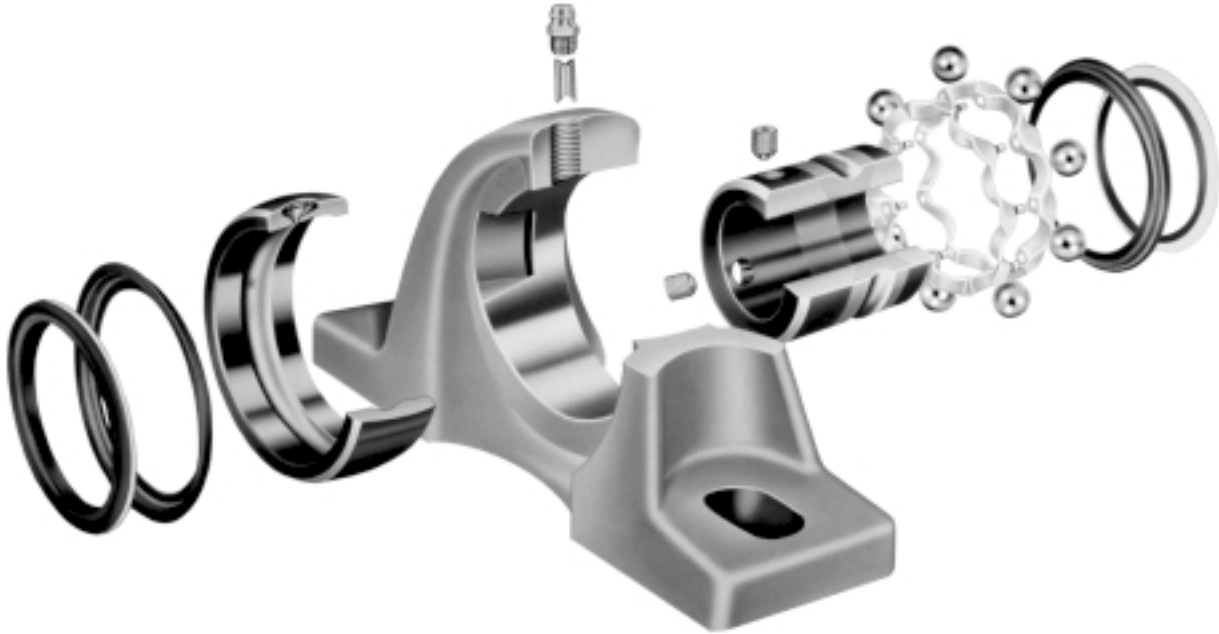
The shaded area indicates the maximum speed ratings for SKWEZLOC (applicable on sizes available). All speeds listed are for the standard felt seal. See the seal selection for alternate seals.

Values in the table represent loads at ideal conditions with press fit mounting to the shaft. ABMA recommends de-rating of slip mounted bearings. To obtain de-rated load, divide load in table by 1.3. Values in the table represent equivalent radial loads only. For combined load determination, see **THE BEARING SELECTION SECTION**. Areas designated by "-" exceeds maximum value for standard bearings. Consult **SEALMASTER Application Engineering** for load and speed applications not covered in this table.

NORMAL DUTY			REVOLUTIONS PER MINUTE																				
SHAFT SIZE	INSERT #	ER #	L10 HOURS	50	150	500	1000	1750	2000	2500	3500	4500	5000	5500	6000	6500	7500	8000	10000				
3/4	2-012T	ER-12T	5000	619	619	491	390	324	310	287	257	236	228	221	215	209	199	195	181				
			10000	583	583	390	310	257	246	228	204	188	181	175	170	166	158	154	143				
			30000	583	404	270	215	178	170	158	141	130	126	122	118	115	109	107	100				
			50000	491	341	228	181	150	144	133	119	110	106	103	100	97	92	90	84				
			100000	390	270	181	144	119	114	106	95	87	84	81	79	77	73	71	67				
15/16 1	2-015T 2-1T	ER-16T	5000	664	664	527	418	347	332	308	276	253	245	237	230	224	213	213	-				
			10000	625	625	418	332	276	264	245	219	201	194	188	183	177	169	169	-				
			30000	625	433	290	230	191	183	170	152	139	135	130	127	123	117	117	-				
			50000	527	366	245	194	161	154	143	128	118	114	110	107	104	99	99	-				
			100000	418	290	194	154	128	122	114	102	93	90	87	85	82	78	78	-				
1 1/8 1 3/16	2-12T 2-13T	ER-18T ER-19T	5000	1039	1039	825	654	543	519	482	431	396	383	370	360	351	334	334	-				
			10000	978	978	654	519	431	412	383	342	315	304	294	286	278	265	265	-				
			30000	978	678	454	360	299	286	265	237	218	211	204	198	193	184	184	-				
			50000	825	572	383	304	252	241	224	200	184	178	172	167	163	155	155	-				
			100000	654	454	304	241	200	191	178	159	146	141	136	133	129	123	123	-				
1 1/4 1 3/8 1 7/16	2-14T 2-16T 2-17T	ER-20T ER-22T ER-23T	5000	1290	1290	1088	864	717	686	636	569	523	505	489	475	463	-	-	-				
			10000	1290	1290	864	686	569	544	505	452	415	401	388	377	367	-	-	-				
			30000	1290	895	599	475	394	377	350	313	288	278	269	262	255	-	-	-				
			50000	1088	755	505	401	333	318	295	264	243	234	227	221	215	-	-	-				
			100000	864	599	401	318	264	253	234	210	193	186	180	175	171	-	-	-				
1 1/2	2-18T	ER-24T	5000	1638	1638	1381	1096	910	870	808	722	664	641	621	603	-	-	-	-				
			10000	1638	1638	1096	870	722	691	641	573	527	509	493	479	-	-	-	-				
			30000	1638	1136	760	603	501	479	445	397	365	353	342	332	-	-	-	-				
			50000	1381	958	641	509	422	404	375	335	308	298	288	280	-	-	-	-				
			100000	1096	760	509	404	335	321	298	266	245	236	229	222	-	-	-	-				
1 5/8 1 11/16 1 3/4	2-110T 2-111T 2-112T	ER-27T ER-28T	5000	1763	1763	1487	1180	979	937	870	777	715	690	669	-	-	-	-	-				
			10000	1763	1763	1180	937	777	744	690	617	567	548	531	-	-	-	-	-				
			30000	1763	1222	818	650	539	516	479	428	393	380	368	-	-	-	-	-				
			50000	1487	1031	690	548	455	435	404	361	332	320	310	-	-	-	-	-				
			100000	1180	818	548	435	361	345	320	286	263	254	246	-	-	-	-	-				
1 15/16	2-115T	ER-31T	5000	1760	1760	1485	1178	978	935	868	776	714	689	-	-	-	-	-	-				
			10000	1760	1760	1178	935	776	742	689	616	567	547	-	-	-	-	-	-				
			30000	1760	1221	817	649	538	515	478	427	393	379	-	-	-	-	-	-				
			50000	1485	1029	689	547	454	434	403	360	331	320	-	-	-	-	-	-				
			100000	1178	817	547	434	360	345	320	286	263	254	-	-	-	-	-	-				
2 2 1/8 2 3/16	2-2T 2-22T 2-23T	ER-32T ER-35T	5000	2176	2176	1835	1457	1209	1156	1073	1010	959	-	-	-	-	-	-	-				
			10000	2176	2176	1457	1156	959	918	852	802	762	-	-	-	-	-	-	-				
			30000	2176	1509	1010	802	665	636	591	556	528	-	-	-	-	-	-	-				
			50000	1835	1273	852	676	561	537	498	469	445	-	-	-	-	-	-	-				
			100000	1457	1010	676	537	445	415	385	355	325	-	-	-	-	-	-	-				
NORMAL DUTY			REVOLUTIONS PER MINUTE																				
SHAFT SIZE	INSERT #	ER #	L10 HOURS	50	150	250	500	750	1000	1250	1500	1750	2000	2500	3000	3500	4000	4500	-				
2 1/4 2 3/8 2 7/16	2-24T 2-26T 2-27T	ER-36T ER-38T ER-39T	5000	2631	2631	2631	2219	1938	1761	1635	1538	1461	1398	1298	1221	1160	1109	1030	969	1160	1109	-	-
			10000	2631	2631	2219	1761	1538	1398	1298	1221	1160	1109	1030	969	921	881	-	-	-	-	-	
			30000	2631	1824	1538	1221	1067	969	900	847	804	769	714	672	638	611	-	-	-	-	-	
			50000	2219	1538	1298	1030	900	817	759	714	678	649	602	567	538	515	-	-	-	-	-	
100000	1761	1221	1030	817	714	649	602	567	538	515	478	450	427	409	-	-	-	-	-				

For bearing selection and engineering, see page 176.

SEALMASTER GOLD...NO EQUAL DIFFERENT BY DESIGN

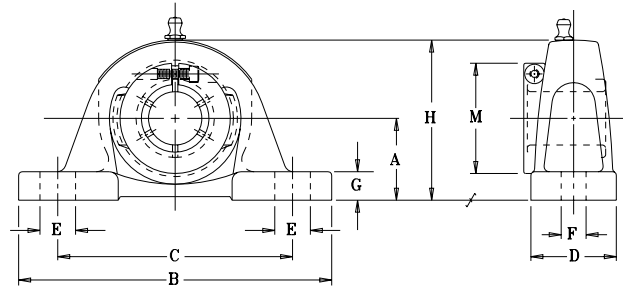
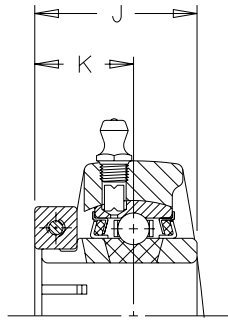


The Sealmaster Gold Bearing *contains features that work together to solve problems in a variety of applications.*

The Gold Platform also allows for *modifications and customization to suit specific applications.*

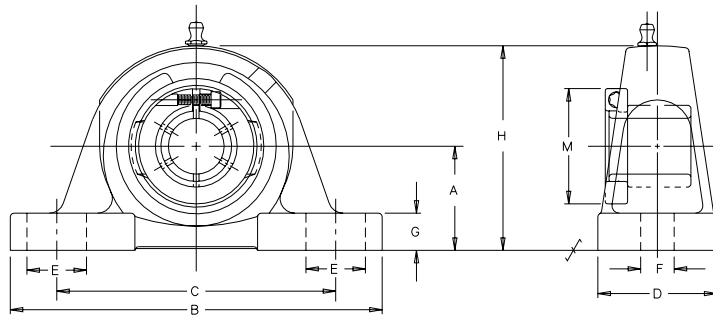
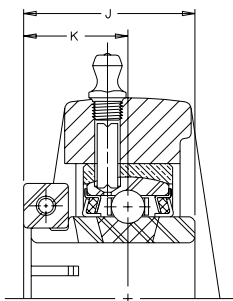
When the operating conditions demand more than off the shelf, *Sealmaster has become known as the problem solver.* Over 15,000 customized designs are running today to prove the claim...

SEALMASTER®
GOLD NO EQUAL



MP-T Series Medium Duty Pillow Blocks...Skwezloc Locking

SHAFT DIAM. IN	PART NO.	BRG. NO.	Dimensions in Inches												BOLT SIZE IN.	UNIT WT.
			A	B	C		D	E	F	G	H	J	K	M		
					MIN.	MAX.										
1	MP-16T	3-1T	1 3/4	6 1/4	4 3/16	5 3/16	2	1	9/16	5/8	3 7/16	1 9/16	15/16	2 1/16	1/2	4.2
1 3/16 1 1/4	MP-19T MP-20T	3-13T 2-14T	1 7/8	6 7/8	4 1/2	5 1/2	2 1/4	1	9/16	11/16	3 13/16	1 3/4	1 1/16	2 7/16	1/2	5.7
1 7/16 1 1/2	MP-23T MP-24T	3-17T 3-18T	2 1/8	8	5	6 3/8	2 1/4	1 3/16	9/16	3/4	4 3/16	2	1 1/4	2 11/16	1/2	7.1
1 11/16 1 3/4	MP-27T MP-28T	3-111T 3-112T	2 5/16	8 3/4	5 1/2	6 3/4	2 5/8	1 1/4	11/16	13/16	4 9/16	2	1 1/4	2 13/16	5/8	9.3
1 15/16 2	MP-31T MP-32T	3-115T 2-2T	2 1/2	9 1/2	5 15/16	7 9/16	2 7/8	1 7/16	11/16	7/8	5 3/32	2 1/4	1 3/8	3 1/2	5/8	12.3
2 3/16 2 1/4	MP-35T MP-36T	3-23T 2-24T	2 3/4	10 1/4	6 9/16	7 15/16	3 1/8	1 7/16	13/16	1 1/16	5 5/8	2 5/8	1 5/8	4 1/16	3/4	17.4

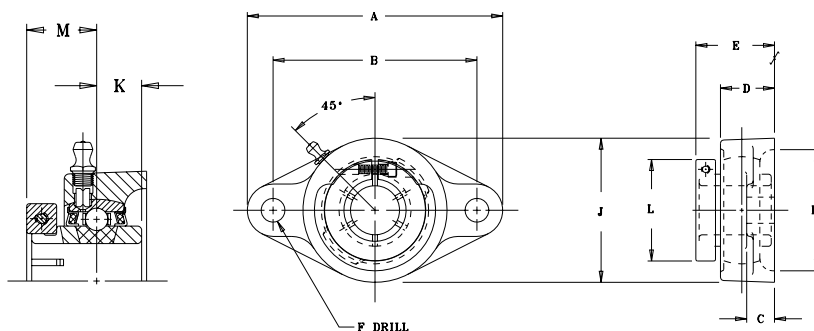


EMP-T Series Expansion Type Pillow Blocks...Skwezloc Locking

SHAFT DIAM. IN	PART NO.	BRG. NO.	Dimensions in Inches												LIMIT OF EXPAN.	BOLT SIZE IN.	UNIT WT.
			A	B	C		D	E	F	G	H	J	K	M			
					MIN.	MAX.											
15/16 1	EMP-15T EMP-16T	AR-2-015T AR-2-1T	1 3/4	6 1/4	4 3/16	5 3/16	2	1	9/16	5/8	3 7/16	1 7/16	7/8	1 15/16	1/8	1/2	3.9
1 3/16 1 7/16	EMP-19T EMP-23T	AR-2-13T AR-2-17T	1 7/8	6 7/8	4 1/2	5 1/2	2 1/4	1	9/16	11/16	3 13/16	1 9/16	15/16	2 3/16	1/8	1/2	5.7
1 7/16 1 1/2	EMP-23T EMP-24T	AR-2-17T AR-2-18T	2 1/8	8	5	6 3/8	2 1/4	1 3/16	9/16	3/4	4 3/16	1 3/4	1 1/16	2 9/16	1/8	1/2	7.1
1 1/2 1 11/16	EMP-24T EMP-27T	AR-2-18T AR-2-111T	2 5/16	8 3/4	5 1/2	6 3/4	2 5/8	1 1/4	11/16	13/16	4 9/16	2	1 1/4	2 11/16	1/8	5/8	9.3
1 11/16 1 15/16	EMP-27T EMP-31T	AR-2-111T AR-2-115T	2 5/16	8 3/4	5 7/16	6 13/16	2 5/8	1 5/16	11/16	13/16	4 5/8	2	1 1/4	2 15/16	1/8	5/8	9.5
1 15/16 2 3/16	EMP-31T EMP-35T	AR-2-115T AR-2-23T	2 1/2	9 1/2	5 15/16	7 9/16	2 7/8	1 7/16	11/16	7/8	5 3/32	2 3/32	1 11/32	3 3/8	3/16	5/8	12.2
2 3/16 2 7/16	EMP-35T EMP-39T	AR-2-23T AR-2-27T	2 3/4	10 1/4	6 9/16	7 15/16	3 1/8	1 7/16	13/16	1 1/16	5 5/8	2 1/4	1 3/8	3 5/8	3/16	3/4	16.2
2 7/16	EMP-39T	AR-2-27T	3	11 1/4	7 1/8	8 7/8	3 1/4	1 5/8	13/16	1 1/16	6 1/4	2 5/8	1 5/8	4 1/8	3/16	3/4	21.2

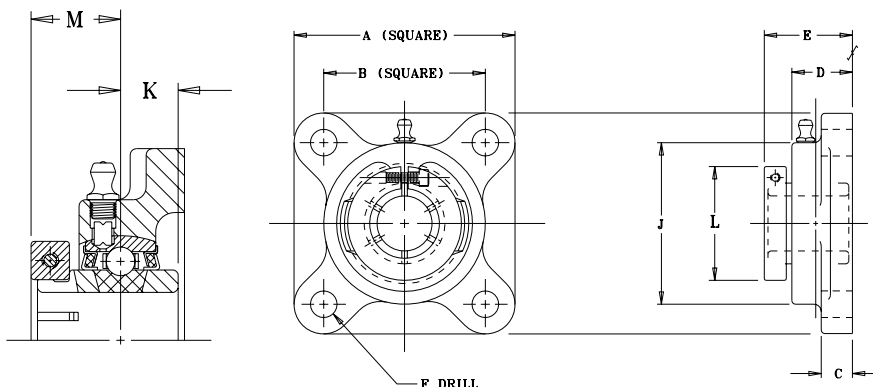
For Load Ratings, see page 84.

For Medium Duty SKWEZLOC Bearing Inserts, see page 83. See page 70 for seal arrangements. For custom seals, see page 188.



MSFT-T Series Medium Duty Two-Bolt Flange Units...Skwezloc Locking

SHAFT DIAM. IN	PART NO.	BRG. NO.	Dimensions in Inches											UNIT WT.
			A	B	C	D	E	F	H CORED	J	K	L	M	
1	MSFT-16T	3-1T	5 9/16	4 19/32	17/32	1 11/64	1 5/8	15/32	2 7/8	3 1/4	5/8	2 1/16	15/16	2.6
1 3/16 1 1/4	MSFT-19T MSFT-20T	3-13T 2-14T	6 1/8	5 1/8	9/16	1 11/32	1 13/16	17/32	3 5/16	3 3/4	11/16	2 7/16	1 1/16	3.7
1 7/16	MSFT-23T	3-17T	6 3/4	5 21/32	9/16	1 1/2	2 5/64	17/32	3 1/2	4 1/8	3/4	2 11/16	1 1/4	4.9
1 1/2	MSFT-24T	3-18T	7 1/16	5 27/32	9/16	1 9/16	2 7/64	19/32	3 7/8	4 3/8	3/4	2 13/16	1 1/4	5.5
1 11/16 1 3/4	MSFT-27T MSFT-28T	3-111T 3-112T	7 7/16	6 3/16	9/16	1 9/16	2 7/32	19/32	4	4 9/16	3/4	3 1/4	1 11/32	6.2
1 15/16 2	MSFT-31T MSFT-32T	3-115T 2-2T	8 1/2	7 1/4	13/16	1 3/4	2 3/8	21/32	4 1/4	5 1/4	7/8	3 1/2	1 3/8	9.2

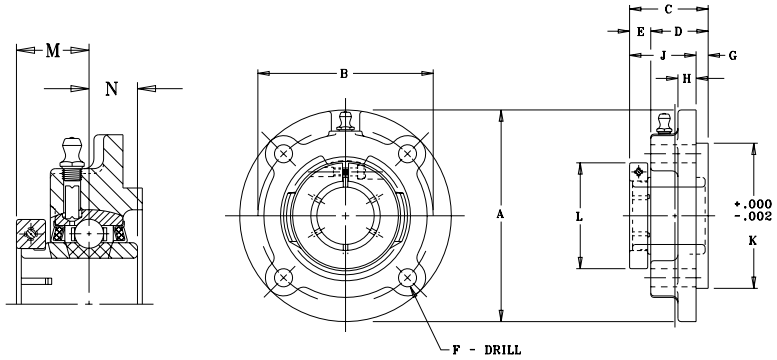


MSF-T Series Medium Duty Four-Bolt Flange Units...Skwezloc Locking

SHAFT DIAM. IN	PART NO.	BRG. NO.	Dimensions in Inches											UNIT WT.
			A	B	C	D	E	F	J	K	L	M		
1	MSF-16T	3-1T	4 1/4	3 1/4	17/32	1 11/64	1 5/8	15/32	3 7/32	5/8	2 1/16	15/16	3.8	
1 3/16 1 1/4	MSF-19T MSF-20T	3-13T 2-14T	4 5/8	3 5/8	9/16	1 11/32	1 13/16	17/32	3 23/32	11/16	2 7/16	1 1/16	4.4	
1 7/16	MSF-23T	3-17T	5 1/8	4	9/16	1 1/2	2 5/64	17/32	4 5/64	3/4	2 11/16	1 1/4	5.8	
1 1/2	MSF-24T	3-18T	5 3/8	4 1/8	9/16	1 9/16	2 7/64	19/32	4 21/64	3/4	2 13/16	1 1/4	6.3	
1 11/16 1 3/4	MSF-27T MSF-28T	3-111T 3-112T	5 5/8	4 3/8	9/16	1 9/16	2 7/32	19/32	4 9/16	3/4	3 1/4	1 11/32	7.4	
1 15/16 2	MSF-31T MSF-32T	3-115T 2-2T	6 3/8	5 1/8	13/16	1 3/4	2 3/8	21/32	5 1/4	7/8	3 1/2	1 3/8	11.1	
2 3/16 2 1/4	MSF-35T MSF-36T	3-23T 2-24T	6 7/8	5 5/8	13/16	1 15/16	2 3/4	21/32	5 7/16	1	4 1/16	1 5/8	13.3	

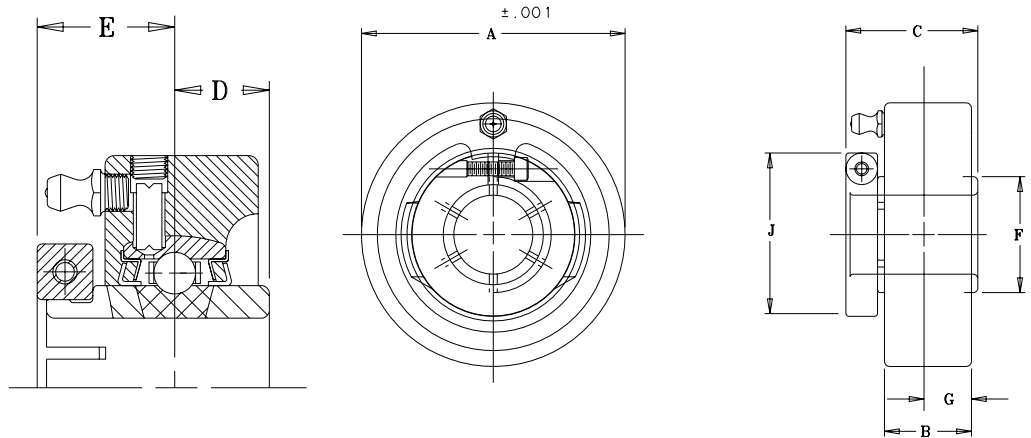
For Load Ratings, see page 84. For Medium Duty SKWEZLOC Bearing Inserts, see page 83. See page 70 for seal arrangements. For custom seals, see page 188.

SEALMASTER® MOUNTED BALL BEARINGS



MFC-T Series Medium Duty Flange Cartridge Units...Skwezloc Locking

SHAFT DIAM. IN	PART NO.	BRG. NO.	Dimensions In Inches													UNIT WT.
			A	B	C	D	E	F	G	H	J	K	L	M	N	
1	MFC-16T	3-1T	4 3/8	3 5/8	1 5/8	1 3/16	7/16	3/8	1/4	3/8	1 3/8	3.000	2 1/16	15/16	5/8	3.2
1 3/16 1 1/4	MFC-19T MFC-20T	3-13T 2-14T	5	4 1/8	1 3/4	1 1/4	1/2	7/16	3/8	3/8	1 3/8	3.375	2 7/16	1 1/16	11/16	4.2
1 7/16 1 1/2	MFC-23T MFC-24T	3-17T 2-18T	5 1/4	4 3/8	2	1 15/32	17/32	7/16	7/16	7/16	1 9/16	3.625	2 11/16	1 1/4	3/4	5.2
1 1/2	MFC-24HT	3-18T	6 1/8	5 1/8	2	1 7/16	9/16	1/2	7/16	7/16	1 9/16	4.250	2 13/16	1 1/4	3/4	6.3
1 11/16 1 3/4	MFC-27T MFC-28T	3-111T 3-112T	6 1/8	5 1/8	2 3/32	1 15/32	5/8	1/2	15/32	7/16	1 5/8	4.250	3 1/4	1 11/32	3/4	7.1
1 15/16 2	MFC-31T MFC-32T	3-115T 2-2T	6 3/8	5 3/8	2 1/4	1 5/8	5/8	1/2	5/8	7/16	1 5/8	4.500	3 1/2	1 3/8	7/8	8.1
2 3/16 2 1/4	MFC-35T MFC-36T	3-23T 2-24T	7 1/8	6	2 5/8	1 7/8	3/4	9/16	7/8	1/2	1 3/4	5.000	4 1/16	1 5/8	1	11.7

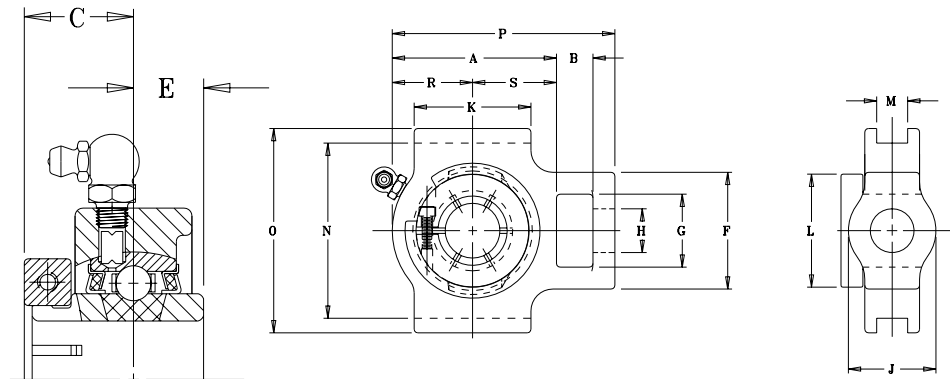


MSC-T Series Medium Duty Cartridge Units...Skwezloc Locking

SHAFT DIAM. IN	PART NO.	BRG. NO.	Dimensions In Inches								UNIT WT.
			A	B	C	D	E	F	G	J	
1 *	MSC-16T	3-1T	3 1/2	1 3/32	1 9/16	5/8	15/16	1 19/32	9/16	2 1/16	2.5
1 3/16 1 1/4	MSC-19T MSC-20T	3-13T 2-14T	3 7/8	1 7/32	1 3/4	11/16	1 1/16	1 55/64	5/8	2 7/16	3.2
1 7/16	MSC-23T	3-17T	4 3/16	1 15/32	2	3/4	1 1/4	2 1/16	3/4	2 11/16	4.1
1 1/2	MSC-24T	3-18T	4 3/8	1 7/16	2	3/4	1 1/4	2 19/64	23/32	2 13/16	4.5
1 11/16 1 3/4	MSC-27T MSC-28T	3-111T 3-112T	4 9/16	1 15/32	2 3/32	3/4	1 11/32	2 15/32	3/4	3 1/4	4.9
1 15/16 2	MSC-31T MSC-32T	3-115T 2-2T	4 15/16	1 19/32	2 1/4	7/8	1 3/8	2 23/32	27/32	3 1/2	5.8
2 3/16 2 1/4	MSC-35T MSC-36T	3-23T 2-24T	5 7/8	1 5/8	2 5/8	1	1 5/8	2 63/64	13/16	4 1/16	9.0

* Misalignment capability reduced.

For Load Ratings, see page 84. For Medium Duty SKWEZLOC Bearing Inserts, see page 83. See page 70 for seal arrangements. For custom seals, see page 188.



MST-T Series Medium Duty Take-Up Units...Skwezloc Locking

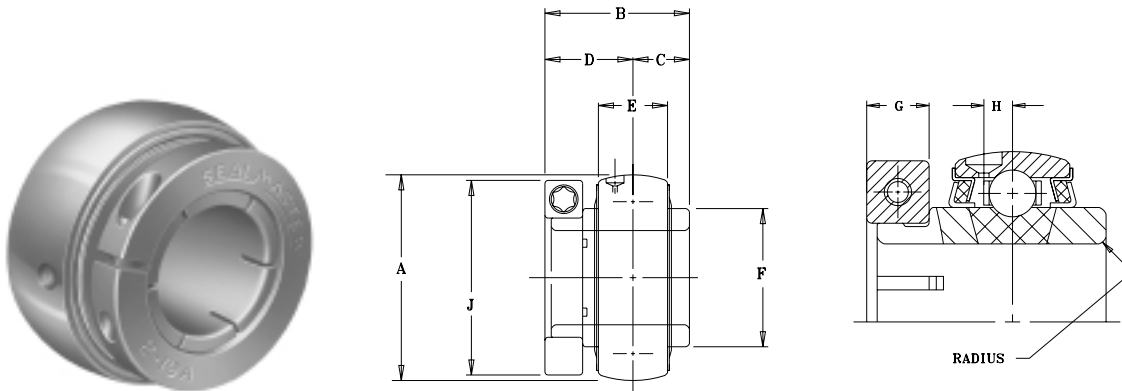
SHAFT DIAM.	PART NO.	BRG. NO.	Dimensions In Inches																UNIT WT.
			A	B	C	E	F	G	H Core	J Hub	K	L	M	N	O	P	R	S	
1	MST-16T	3-1T	3 7/16	5/8	15/16	5/8	2 3/16	1 7/16	7/8	1 3/4	2 1/4	2 1/16	17/32	3-1/2	4	4 7/16	1 11/16	1 3/4	3.6
1 3/16 1 1/4	MST-19T MST-20T	3-13T 2-14T	3 15/16	5/8	1 1/16	11/16	2 1/2	1 7/16	7/8	1 3/4	2 1/2	2 7/16	17/32	3-1/2	4	5 1/16	2	1 15/16	4.3
1 7/16	MST-23T	3-17T	4 5/16	3/4	1 1/4	3/4	3 1/4	1 15/16	1 1/8	2 1/8	3 1/4	2 11/16	11/16	4	4 1/2	5 11/16	2 3/16	2 1/8	6.3
1 1/2	MST-24T	3-18T	4 5/16	3/4	1 1/4	3/4	3 1/4	1 15/16	1 1/8	2 3/16	3 1/4	2 13/16	11/16	4	4 5/8	5 11/16	2 1/4	2 1/16	6.3
1 11/16 1 3/4	MST-27T MST-28T	3-111T 3-112T	4 1/2	3/4	1 11/32	3/4	3 1/4	1 15/16	1 1/8	2 3/16	3 3/8	3 1/4	11/16	4	4 5/8	5 7/8	2 5/16	2 3/16	6.6
1 15/16 2	MST-31T MST-32T	3-115T 2-2T	5	1	1 3/8	7/8	4	2 1/2	1 3/8	2 1/4	3 3/4	3 1/2	1 1/16	5 1/8	5 3/4	6 3/4	2 9/16	2 7/16	10.4
2 3/16 2 1/4	MST-35T MST-36T	3-23T 2-24T	5 3/8	1 1/4	1 5/8	1	4	2 1/2	1 3/8	2 3/8	4	4 1/16	1 1/16	5 1/8	5 3/4	7 5/8	2 15/16	2 11/16	13.4

For load ratings, see page 84.

For medium duty SKWEZLOC Bearing Inserts, see page 83.

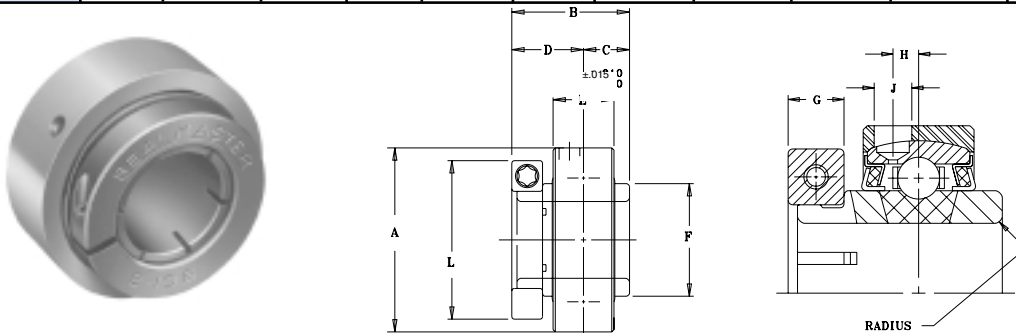
See page 70 for seal configurations.

For custom seals, see page 188.



Medium Duty Bearing Inserts...Skwezloc Locking

SHAFT DIAM. INCH	BRG. NO.	Dimensions in Inches										TORX CAP SCREW	UNIT WT.
		A	B	C	D	E	F	G	H	J	RADIUS		
1	3-1T	62MM 2.4409	1 9/16	5/8	15/16	7/8	1 19/32	3/8	7/32	2 1/16	.040	8-32 X 5/8	1.2
1 3/16	3-13T	72MM 2.8346	1 3/4	11/16	1/16	15/16	1 55/64	7/16	1/4	2 7/16	.040	10-24 X 3/4	1.8
1 7/16	3-17T	80MM 3.1496	2	3/4	1 1/4	1 3/32	2 1/16	7/16	19/64	2 11/16	.062	10-24 X 3/4	2.2
1 1/2	3-18T	85MM 3.3465	2	3/4	1 1/4	1 3/32	2 19/64	7/16	19/64	2 13/16	.062	10-24 X 3/4	2.5
1 11/16 1 3/4	3-111T 3-112T	90MM 3.5433	2 3/32	3/4	1 11/32	1 1/8	2 15/32	9/16	17/64	3 1/4	.062	1/4-20 X 1	3.0
1 15/16	3-115T	100MM 3.9370	2 1/4	7/8	1 3/8	1 3/16	2 23/32	9/16	19/64	3 1/2	.080	1/4-20 X 1	
2 3/16	3-23T	110MM 4.3307	2 5/8	1	1 5/8	1 1/4	2 63/64	11/16	21/64	4 1/16	.080	5/16 -18 X 1	4.9



AR-T Series Medium Duty Expansion Units...Skwezloc Locking

SHAFT DIAM. INCH	BRG. NO. AR-	Dimensions in Inches											TORX CAP SCREW	UNIT WT.
		*A	B	C	D	E	F	G	H	J	L	RADIUS		
1	AR-3-1T	2.687	1 9/16	5/8	15/16	61/64	1 19/32	3/8	7/32	1/4	2 1/16	.040	8-32 X 5/8	1.7
1 3/16	AR-3-13T	3.140	1 3/4	11/16	1 1/16	1 1/64	1 55/64	7/16	1/4	1/4	2 7/16	.040	10-24 X 3/4	2.4
1 7/16	AR-3-17T	3.375	2	3/4	1 1/4	1 11/64	2 1/16	7/16	19/64	1/4	2 11/16	.062	10-24 X 3/4	3.1
1 1/2	AR-3-18T	3.562	2	3/4	1 1/4	1 11/64	2 19/64	7/16	19/64	1/4	2 13/16	.062	10-24 X 3/4	3.3
1 11/16 1 3/4	AR-3-111T AR-3-112T	3.875	2 3/32	3/4	1 11/32	1 13/64	2 15/32	9/16	17/64	11/32	3 1/4	.062	1/4-20 X 1	4.1
1 15/16	AR-3-115T	4.250	2 1/4	7/8	1 3/8	1 17/64	2 23/32	9/16	19/64	11/32	3 1/2	.080	1/4-20 X 1	5.0
2 3/16	AR-3-23T	4.718	2 5/8	1	1 5/8	1 21/64	2 63/64	11/16	21/64	11/32	4 1/16	.080	5/16 -18 X 1	7.0

* Tolerance +.000", -.005"

For Load Ratings, see page 84. See page 70 for seal arrangements. For custom seals, see page 188.

LOAD RATING TABLES - Medium Duty SKWEZLOC

The shaded area indicates the maximum speed ratings for SKWEZLOC (applicable on sizes available). All speeds listed are for the standard felt seal. See the seal selection for alternate seals.

Values in the table represent loads at ideal conditions with press fit mounting to the shaft. ABMA recommends de-rating of slip mounted bearings. To obtain de-rated load, divide load in table by 1.3. Values in the table represent equivalent radial loads only. For combined load determination, see **THE BEARING SELECTION SECTION**. Areas designated by "-" exceeds maximum value for standard bearings. Consult **SEALMASTER Application Engineering** for load and speed applications not covered in this table.

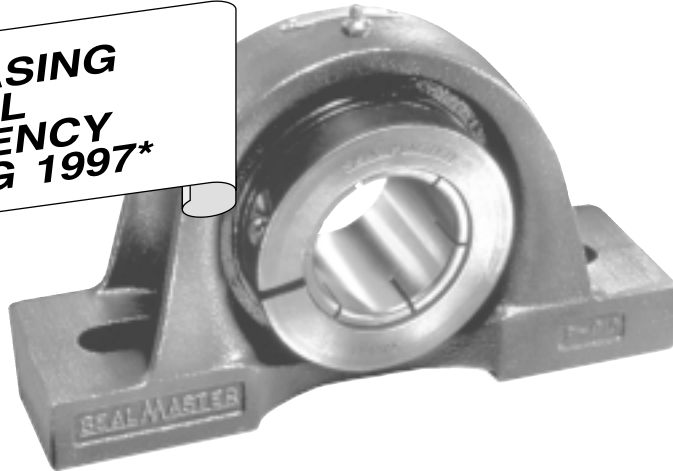
MEDIUM DUTY		REVOLUTIONS PER MINUTE																
SHAFT SIZE	INSERT #	L10 HOURS	50	150	500	1000	1750	2000	2500	3500	4500	5000	5500	6000	6500	7500	8000	10000
1	3-1T	5000	1039	1039	825	654	543	519	482	431	396	383	370	360	351	334	334	-
		10000	978	978	654	519	431	412	383	342	315	304	294	286	278	265	265	-
		30000	978	678	454	360	299	286	265	237	218	211	204	198	193	184	184	-
		50000	825	572	383	304	252	241	224	200	184	178	172	167	163	155	155	-
		100000	654	454	304	241	200	191	178	159	146	141	136	133	129	123	123	-
1 3/16	3-13T	5000	1290	1290	1088	864	717	686	636	569	523	505	489	475	463	-	-	-
		10000	1290	1290	864	686	569	544	505	452	415	401	388	377	367	-	-	-
		30000	1290	895	599	475	394	377	350	313	288	278	269	262	255	-	-	-
		50000	1088	755	505	401	333	318	295	264	243	234	227	221	215	-	-	-
		100000	864	599	401	318	264	253	234	210	193	186	180	175	171	-	-	-
1 7/16	3-17T	5000	1638	1638	1381	1096	910	870	808	722	664	641	621	603	-	-	-	-
		10000	1638	1638	1096	870	722	691	641	573	527	509	493	479	-	-	-	-
		30000	1638	1136	760	603	501	479	445	397	365	353	342	332	-	-	-	-
		50000	1381	958	641	509	422	404	375	335	308	298	288	280	-	-	-	-
		100000	1096	760	509	404	335	321	298	266	245	236	229	222	-	-	-	-
1 1/2	3-18T	5000	1763	1763	1487	1180	979	937	870	777	715	690	669	-	-	-	-	-
		10000	1763	1763	1180	937	777	744	690	617	567	548	531	-	-	-	-	-
		30000	1763	1222	818	650	539	516	479	428	393	380	368	-	-	-	-	-
		50000	1487	1031	690	548	455	435	404	361	332	320	310	-	-	-	-	-
		100000	1180	818	548	435	361	345	320	286	263	254	246	-	-	-	-	-
1 11/16 1 3/4	3-111T 3-112T	5000	1760	1760	1485	1178	978	935	868	776	714	689	-	-	-	-	-	-
		10000	1760	1760	1178	935	776	742	689	616	567	547	-	-	-	-	-	-
		30000	1760	1221	817	649	538	515	478	427	393	379	-	-	-	-	-	-
		50000	1485	1029	689	547	454	434	403	360	331	320	310	-	-	-	-	-
		100000	1178	817	547	434	360	345	320	286	263	254	-	-	-	-	-	-
1 15/16	3-115T	5000	2176	2176	1835	1457	1209	1156	1073	1010	959	-	-	-	-	-	-	-
		10000	2176	2176	1457	1156	959	918	852	802	762	-	-	-	-	-	-	-
		30000	2176	1509	1010	802	665	636	591	556	528	-	-	-	-	-	-	-
		50000	1835	1273	852	676	561	537	498	469	445	-	-	-	-	-	-	-
		MEDIUM DUTY		REVOLUTIONS PER MINUTE														
SHAFT SIZE	INSERT #	L10 HOURS	50	150	250	500	750	1000	1250	1500	1750	2000	2500	3000	3500	4000	4500	-
2 3/16	3-23T	5000	2631	2631	2631	2219	1938	1761	1635	1538	1461	1398	1298	1221	1160	1109	-	-
		10000	2631	2631	2219	1761	1538	1398	1298	1221	1160	1109	1030	969	921	881	-	-
		30000	2631	1824	1538	1221	1067	969	900	847	804	769	714	672	638	611	-	-
		50000	2219	1538	1298	1030	900	817	759	714	678	649	602	567	538	515	-	-
		100000	1761	1221	1030	817	714	649	602	567	538	515	478	450	427	409	-	-

For bearing selection and engineering, see page 176.

SEALMASTER® FEATURED PRODUCTS

METRIC - SKWEZ MOUNTED BALL BEARINGS

**INCREASING
GLOBAL
EFFICIENCY
SPRING 1997***



The first HIGH PERFORMANCE **HARD METRIC**
MOUNTED BALL BEARINGS...

...Are now available with the patented SKWEZLOC Locking Collar.

The Key to Overall

Locking Performance...

The patented design of the unique SKWEZLOC locking collar puts it a *world apart* from ordinary shaft locking devices. Six equally-spaced centering surfaces (inner race fingers or extension tabs) grip the shaft and hold it tight, locating it in near-perfect concentricity with the race. Fretting corrosion is reduced. Balancing of the assembly is readily attained and locking reliability is maintained.

“Putting the Collar”

On Vibration...

The design of the unique SKWEZLOC collar and the near-perfect shaft centering greatly reduces out of balance vibrational forces that tend to shorten bearing life. Fretting corrosion is also minimized.

HARD METRIC METRIC - SKWEZ

- **Metric Dimensions.**
 - Lubrication Fitting.
 - Capscrews.
 - Collar.
- **Metric Bore.**
- **Collar Distinction.**
- **Special Metric SKWEZLOC Permanent Metal Nameplate.**

Fast, Easy Installation...

Once the bearing is properly located, simply slide the SKWEZLOC locking collar into position over the extended end of the inner race. A single cap screw is properly tightened to securely lock the bearing to the shaft. Shaft release is just as easy by simply loosening the single socket head cap screw. (see page 200 for detailed installation instructions).

Simplified

Repositioning...

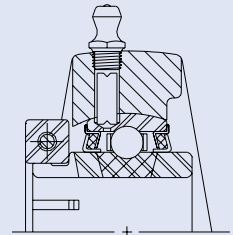
Some applications require the frequent repositioning of the bearing on the shaft. Eccentric collars with locking setscrews may leave a burr which can cause problems. Because of the uniform concentric hold of the SKWEZLOC collar, repositioning is easy.

Because the World has become smaller, SEALMASTER has developed a hard metric product line. Ideal for replacing problematic bearings on imported machinery. Readily available for easy assembly on OEM equipment manufactured for international exportation.

*Contact SEALMASTER for more information.



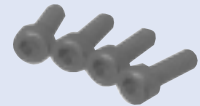
Metric Dimensions



Distinctive Metric Collar



Metric Capscrews



Special Nameplate



Metric Bore



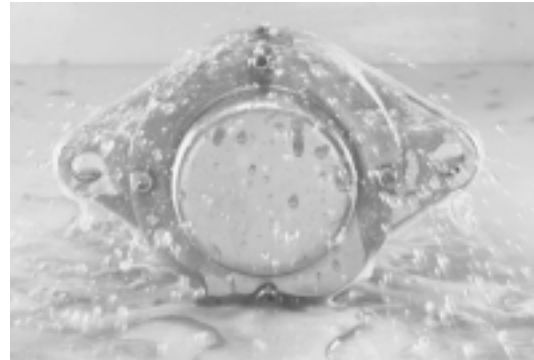
SEALMASTER® FEATURED PRODUCTS

BEVERAGE BEARING MOUNTED BALL BEARINGS

There is no more need to worry about...

- Beverage Spillovers
- High pressure Washes
- Moisture
- Caustic Cleansers
- Grease wash out
- Inadequate Lubrication
- Broken Glass
- Seal Failure

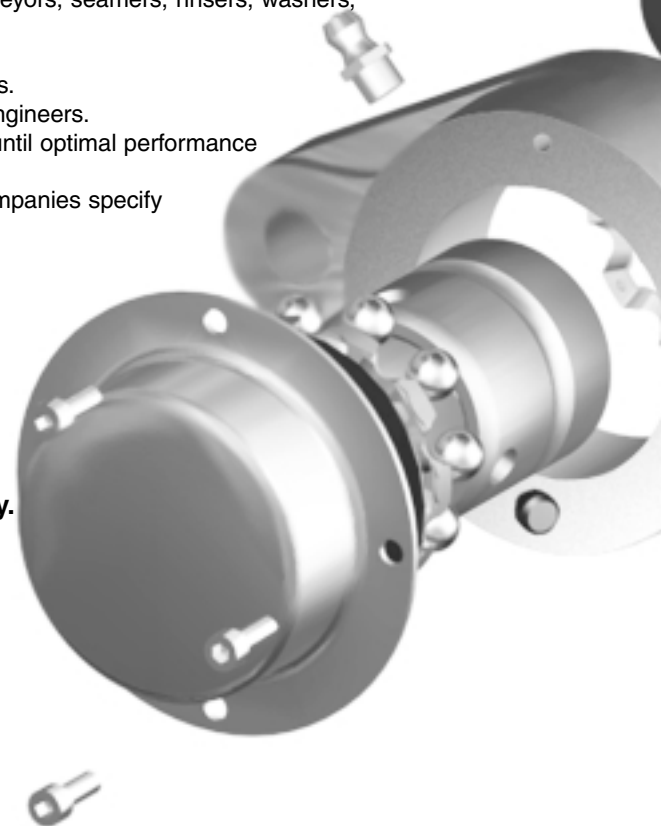
The Gold Beverage Bearing is Designed Specifically for the Beverage Industry.



1. SEALMASTER began with a blank piece of paper...no preconceived notions.
2. SEALMASTER engineers evaluated fillers, cappers, crowners, coolers, conveyors, seamers, rinsers, washers, warmers, packers, palletizers & accumulation tables.
3. Beverage industry leaders played an active role developing the product.
4. Prototypes were produced and installed on the most challenging applications.
5. Bearings were routinely inspected by both SEALMASTER customers and engineers.
6. Grease coatings, seals, and races were individually tested for over 2 years until optimal performance was achieved.
7. The results exceeded customer expectations, and today major beverage companies specify the SEALMASTER Gold Beverage Bearing...NO SUB!

Features Include...

- Thin Dense Chrome Plated Races.
- Fluoropolymer Coated Corrosion Resistant Housing.
- Stainless Steel End Cap (available in 2 & 4 bolt flanges).
- Stainless Steel Backside Shield and Double Gasket Assembly.
- Spring Loaded Contact Seals and Flingers.
- Drainage slot in shield & gasket assembly.
- Stainless Steel Balls.
- Stainless Zerk and Washers.
- Solid Base Housing.
- Gold Line 120° Set Screw Spacing.
- Self Aligning $\pm 2^\circ$.
- Coated Set Screws.
- Wide Outer Race.



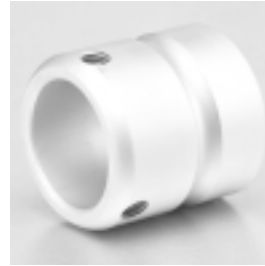
DIFFERENT...BY DESIGN!

SEALMASTER COATINGS PROTECT

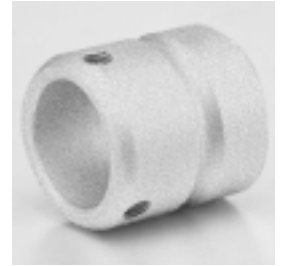
THIN DENSE CHROME (TDC) is a coating that resists corrosion 10 to 15 times longer than standard bearing materials. TDC totally covers the entire surface area of both races and is between 10-15% harder than industry standard bearing races.

FLUOROPOLYMER COATING covering the cast iron housing is compound matrix three protective layer designed to resist any:

- Peeling.
- Most cleaning solvents up to PH levels of eleven.
- Moisture.
- High Pressure Washes.
- Abrasion.



TDC Coating



Unprotected

Available Optional Features

SEALED (Non-relubricable)

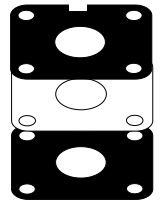
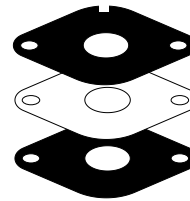
Attach "S" to the end of any unit number
i.e. BFT-31S

FOOD GRADE GREASE (USDA)

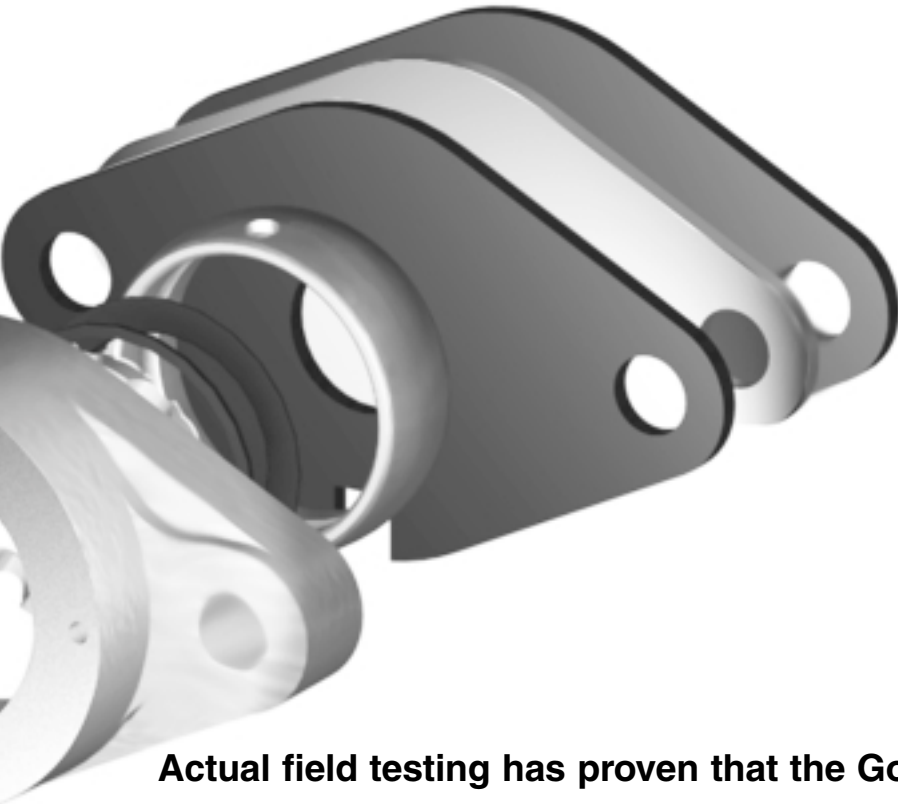
Attach the suffix FGG to the end of unit number. i.e. BPL-20R FGG
Made to order only.

3 Layer

Stainless Back Side Shield and Buna Gaskets

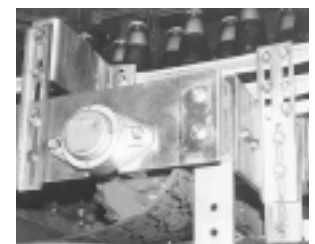


Assembled standard with...
2 & 4 bolt flanges size 1" to 2 3/16" bores.



Actual field testing has proven that the Gold Beverage Bearing can last up to 2 years longer than ordinary bearings.

Today, sophisticated preventative maintenance programs usually identify bearings that are in the process of failing before a catastrophic emergency occurs. Clearly, in the case of a breakdown, the costs at a high speed filling facility add up quickly. Consider 1,800 cans per minute at 58 cents per can at over an hour downtime to replace bearings and you get the picture quickly. It is because of this that your company pays close attention to potential failures. Instead of focusing on downtime, we know you want to maximize your uptime. Even scheduled maintenance costs you production which takes away from manufacturing efficiencies, not to mention the indirect labor costs, actual replacement costs of the bearing and any consequential damage that may have occurred. The bottom line: *the Sealmaster Gold beverage bearing contributes to your long term production reliability and the most uptime.*



For more information on wet environments, see page 136.

For specifications on Beverage Bearings, see Featured Product Dimension Tables on page 93.

SEALMASTER® FEATURED PRODUCTS

CORROSION-RESISTANT CR DUTY MOUNTED BALL BEARINGS

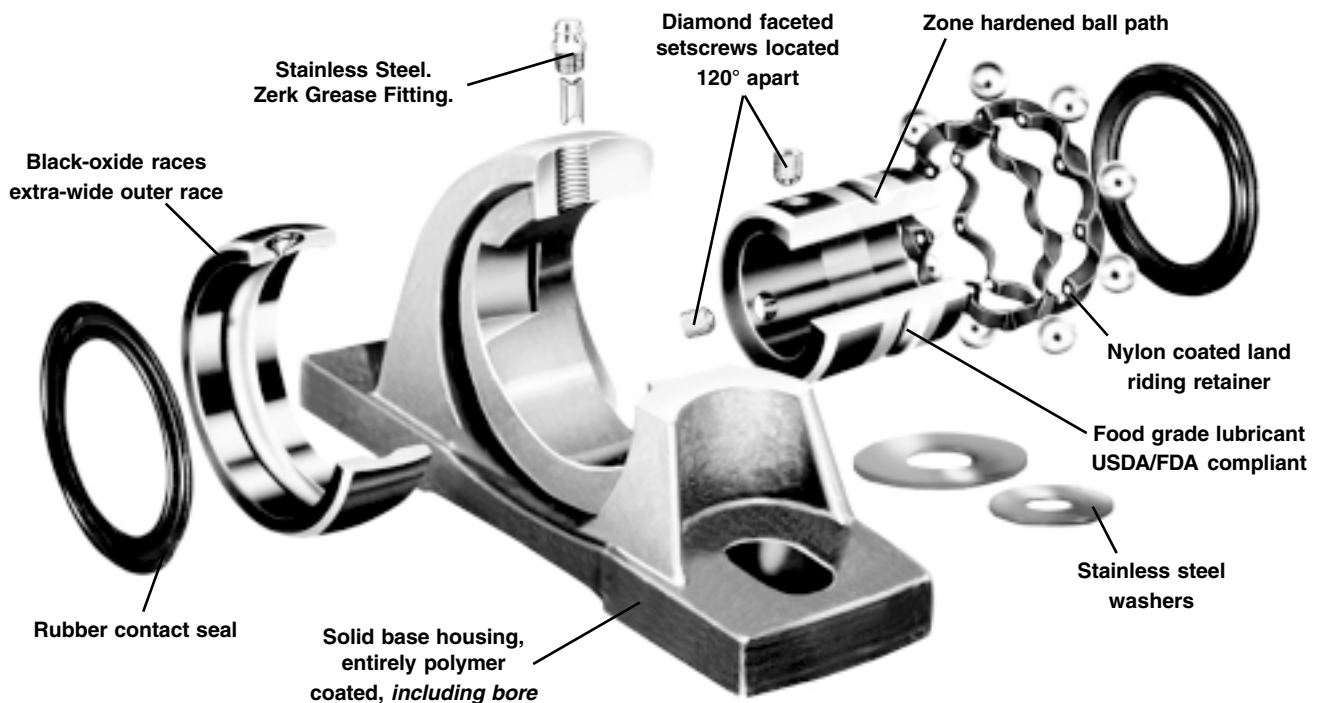
Corrosion Duty Bearing Housings Many harsh atmospheres can contaminate bearing rolling elements and housings, thereby reducing bearing life. SEALMASTER Gold Line CR Duty bearings, with corrosion-resistant polymer coating on the housings and application proven sealing elements to protect the ball bearings, are designed specifically to perform in these difficult ambient environments.



Apply these bearing units in a variety of services where they may be subjected to moisture, corrosive, and abrasive atmospheres. Typical examples include:

- Food Processing Plants.
- Food Packaging Plants.
- Beverage, Brewing, Bottling Plants.
- Meat, Poultry, Seafood Processing Plants.
- Dairy Industry Plants.
- Sugar Processing Plants.
- Drug and Pharmaceutical Plants.
- Chemical Processing Plants.
- Rubber and Plastics Plants.
- Pulp and Paper Mills.
- Car and Truck Washes.
- Refrigeration and Freezer Plants.
- Agricultural Harvesting Machinery
- Municipal (Sand/Salt) Treatment Equipment.
- Marine and Naval Applications.
- A Broad Range of Material Handling Services.

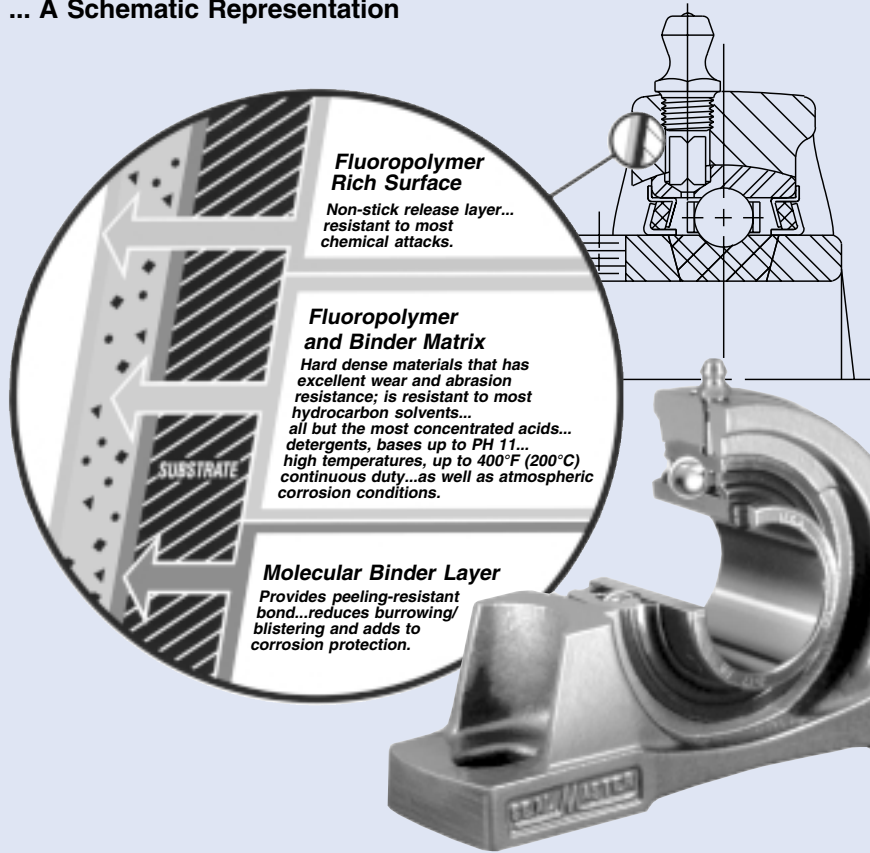
THE GOLD STANDARD CORROSION RESISTANCE BENEFITS



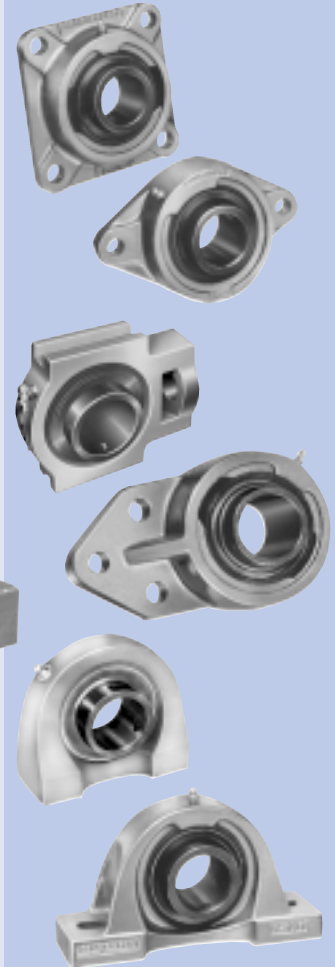
DIFFERENT...BY DESIGN!

CORROSION-RESISTANT POLYMER COATING

... A Schematic Representation



Available In A Variety Of Styles And Sizes



HOUSING COATING PERFORMANCE CHART

The chart to the right demonstrates the effectiveness of this corrosion-resistant polymer coating for a variety of atmospheric conditions and other physical qualities, against other popular materials. It is also important to note that **SEALMASTER CR Duty Bearings** have the housing bores coated

CORROSION CHARACTERISTICS	SEALMASTER CORROSION DUTY	PAINT	ELECTROLESS NICKEL	CU/NI/CR	NYLON	TEFLON*
ACID	✓✓✓✓	✓	✓✓✓	✓✓	✓✓✓✓	✓✓✓✓
BASE	✓✓✓✓	✓	✓✓	✓✓	✓✓✓✓	✓✓✓✓
WASHDOWN	✓✓✓✓	✓	✓✓	✓✓	✓✓✓✓	✓**
ATMOSPHERIC EXPOSURE	✓✓✓✓	✓✓	✓✓	✓✓	✓✓	✓✓✓✓
NON-STICK	✓✓✓✓	-	-	-	✓	✓✓✓✓
ADHESION TO CASTING	✓✓✓✓	✓✓✓	✓✓✓	✓✓✓	✓✓✓	✓
HARDNESS	✓✓✓	✓✓	✓✓✓✓	✓✓✓✓	✓✓✓	✓
COLOR	✓✓✓✓	✓	✓✓	✓✓✓✓	✓✓	✓✓
EXCELLENT GOOD	✓✓✓✓ ✓✓✓	FAIR POOR	✓✓ ✓	UNACCEPTABLE - **SHOULD NOT BE USED WITH HIGH PRESSURE SPRAYWASH		* Teflon is a registered trademark of the Du Pont Company.

For more information on wet environments, see page 136.

For specifications on CR Duty Bearings, see Featured Product Dimension Tables on page 93.

SEALMASTER® FEATURED PRODUCTS

THE HIGH TEMPERATURE HF/HFT FURNACE MOUNTED BALL BEARINGS

Typical applications include:

- Heat treating equipment
- Kilns, curing furnaces, etc.
- Food processing conveyors (bakeries, etc.)

High temperature furnace bearings . . . design and application parameters

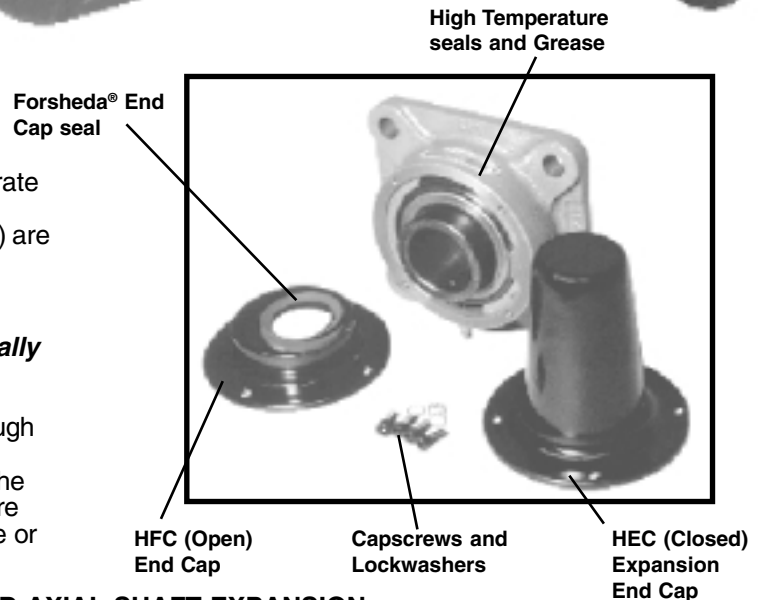
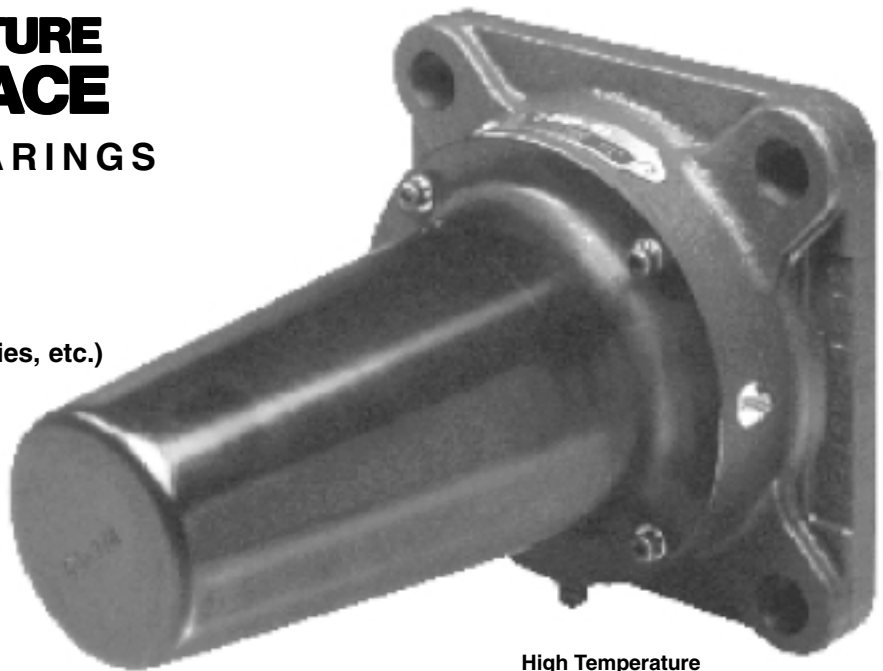
After extensive research into various market segments and industries, SEALMASTER bearing engineers have developed a new and unique design ball bearing series that is well matched to high temperature applications. To ensure proper selection for severe services, consider these basic application parameters:

1. **What is a “high temperature” bearing?**

A high temperature bearing is designed to operate in ambient temperatures up to 400°F (200°C). Standard bearings (or slightly modified bearings) are not designed to operate in temperatures above 200°F (100°C).

2. **Where are high temperature bearings typically used?**

These bearings support conveyor rolls that are designed to transport a variety of materials through industrial furnaces or ovens. Generally, they are operated at slow speeds (up to 800 RPM) with the shaft extending through the heated area. In a rare instance, bearings are located inside the furnace or oven.



END CAPS AND AXIAL SHAFT EXPANSION

SEALMASTER HF and HFT units can be specified with either HFC or HEC caps. The HFC caps have an opening to allow the shaft to pass through to the customer's drive system. This cap arrangement normally uses the setscrews supplied in the bearing to lock the bearing to the shaft. The HEC cap is a closed end cap which, when used with the square head setscrew (supplied with cap) and a customer machined keyway in the shaft, allows the shaft to expand through the bore of the bearing when shaft temperature rises. (1) HFC and (1) HEC arrangement is normally recommended on each shaft. **Contact SEALMASTER Application Engineering for any question concerning your application.**

CALCULATING SHAFT GROWTH

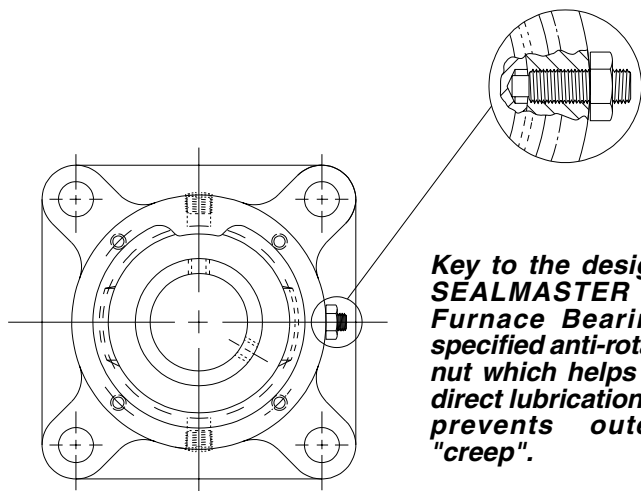
$$\text{Shaft growth (In)} = .0000063 \times \text{Shaft Length (In)} \times \text{Change in Temperature (°F.)}$$

LUBRICATION

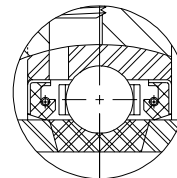
SEALMASTER HF and HFT bearings are supplied with a high quality/high temperature synthetic lubricant with temperature operating range up to 400°F. The units are equipped with plugs in the lubrication holes in the housing. Bearing life may be extended by addition of fresh lubricant to the unit. Consult SEALMASTER Application Engineering for type of lubricant, frequency, and proper procedure for relubrication.

*Consult SEALMASTER Application Engineering before operating outside any limits above.
Forsheda® is a licensed Trademark of Forsheda Corporation.

DIFFERENT...BY DESIGN!



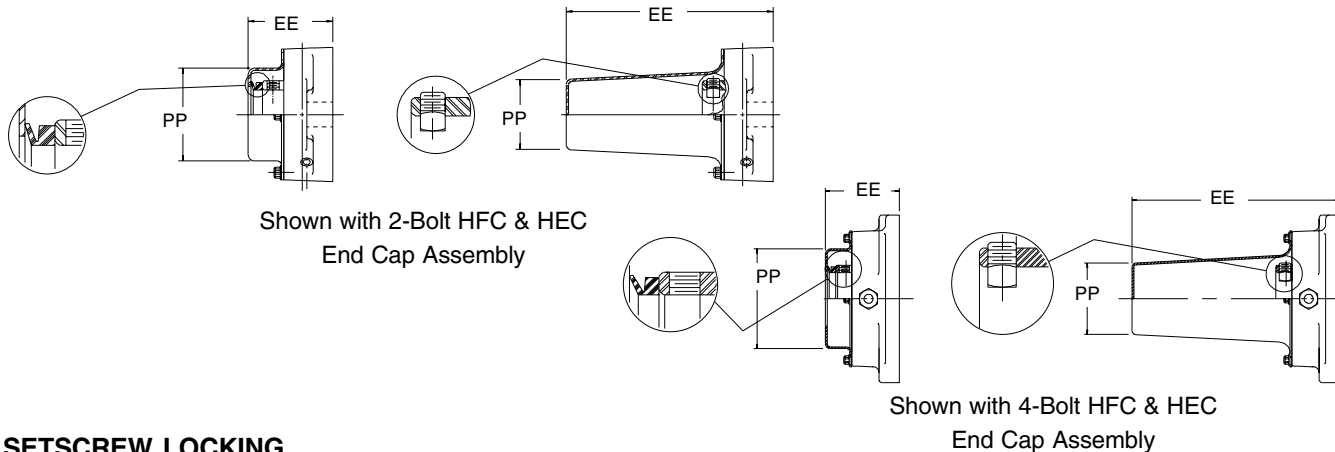
Key to the design of the SEALMASTER HF/HFT Furnace Bearings is a specified anti-rotation lock nut which helps ensure a direct lubrication path and prevents outer race "creep".



High Temperature, non-purgable, UltraGard Seals withstand the severe operating environment and help retain lubricant within the bearing chamber.

RECOMMENDED LOADS AND SPEEDS

UNIT # 2 BOLT HOUSING	UNIT # 4 BOLT HOUSING	MAX. RECOMMENDED SPEED		MAX. RECOMMENDED LOAD	
		RPM	LBS.		
HFT-16	-	800	150		
HFT-19	-	700	250		
HFT-20R	-	700	250		
HFT-23	HF-23	600	350		
HFT-24	HF-24	500	450		
-	HF-28	500	550		



SETSCREW LOCKING

BORE	TWO BOLT FLANGE	FOUR BOLT FLANGE	2-BOLT END CAPS						4-BOLT END CAPS					
			CAP		HFC		HEC		CAP		HFC		HEC	
			HFC-	EE	PP	HEC-	EE	PP	HFC-	EE	PP	HEC-	EE	EE
1"	HFT-16	-	16	1 23/32	1 29/32	16	4 7/32	1 7/16	-	-	-	-	-	-
1 3/16	HFT-19	-	19	1 27/32	2 3/8	19	4 63/64	1 45/64	-	-	-	-	-	-
1 1/4	HFT-20R	-	20R											
1 7/16	HFT-23	HF-23	23	2 3/64	2 3/4	23	5 23/32	1 31/32	23	2 1/64	2 3/4	23	5 23/32	1 31/32
1 1/2	HFT-24	HF-24	24	2 11/32	2 3/4	24	5 15/32	1 13/16	24	2 5/16	2 3/4	24	5 15/32	1 13/16
1 3/4	-	HF-28	-	-	-	-	-	-	28	2 3/8	2 7/8	28	5 17/32	2 1/16

For specifications on HF/HFT Bearings, see Featured Product Dimension Tables on page 93.
For more information on High Temperature applications, see page 130.

SEALMASTER® FEATURED PRODUCT DIMENSIONS

How to use the Featured Product Dimension Tables...

Sealmaster offers *three* Mounted Ball Bearing featured product lines...

- **The Gold Line Beverage Bearings** explained in more detail on pages 86 & 87.
- **The Gold Line CR Duty Corrosion-Resistant Bearings** explained in more detail on pages 88 & 89.
- **The Gold Line Furnace Bearings** explained in more detail on pages 90-91.

Each may be available in the following bore size:

3/4"	1 1/4"	1 3/4"
1"	1 7/16"	1 15/16"
1 3/16"	1 1/2"	2 3/16"
1 1/4R"	1 11/16"	2 7/16"

The Availability Column

The availability of each specific product is detailed in the Tables below under *AVAILABILITY*. This column is coded for each featured product line...

BEV	=	Beverage Bearing
CR	=	CR Duty Corrosion-Resistant
HF	=	Four Bolt Furnace Bearing
HFT	=	Two Bolt Furnace Bearing

Beverage Bearing End Caps

BORE SIZE IN INCHES	TWO BOLT END CAPS		FOUR BOLT END CAP	
	OPEN	CLOSED	OPEN	CLOSED
1	TEO-16	TEC-16	FEO-16	FEC-16
1 3/16	TEO-19	TEC-19	FEO-19	FEC-19
1 1/4R	TEO-20R	TEC-19	FEO-20R	FEC-19
1 1/4	TEO-20	TEC-23	FEO-20	FEC-23
1 7/16	TEO-23	TEC-23	FEO-23	FEC-23
1 1/2	TEO-24	TEC-24	FEO-24	FEC-24
1 11/16	TEO-27	TEC-27	FEO-27	FEC-27
1 15-16	TEO-31	TEC-31	FEO-31	FEC-31
2 3/16	TEO-35	TEC-35	FEO-35	FEC-35

High Base Pillow Blocks... BP, NP-C CR

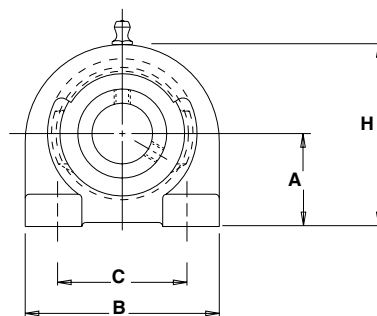
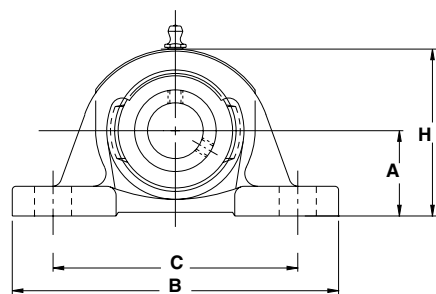
BORE	AVAILABILITY	A	B	C		H	BOLT SIZE
				MIN	MAX		
3/4	BEV**, CR	1 5/16	5	3 3/8	4 1/8	2 9/16	3/8
1	BEV**, CR	1 7/16	5 1/2	3 7/8	4 3/8	2 13/16	3/8
1 3/16 - 1 1/4R	BEV**, CR	1 11/16	6 1/2	4 7/16	5 1/16	3 3/8	1/2
1 1/4 - 1 7/16	BEV**, CR	1 7/8	6 9/16	4 11/16	5 5/16	3 3/4	1/2
1 1/2	BEV**, CR	1 15/16	7 1/4	4 7/8	5 7/8	3 15/16	1/2
1 11/16	BEV**, CR	2 1/8	7 1/2	5 7/16	6 1/16	4 1/4	1/2
1 15/16	BEV**, CR	2 1/4	8 1/8	6	6 1/2	4 9/16	5/8
2 3/16	BEV**, CR	2 1/2	8 5/8	6 1/2	7	5	5/8
2 7/16	BEV**, CR	2 3/4	9 1/2	6 7/8	7 5/8	5 9/16	5/8

Low Base Pillow Blocks... BPL, NPL-C CR

BORE	AVAILABILITY	A	B	C		H	BOLT SIZE
				MIN	MAX		
3/4	BEV**, CR	1 1/4	5	3 3/8	4 1/8	2 1/2	3/8
1	BEV**, CR	1 5/16	5 1/2	3 7/8	4 3/8	2 11/16	3/8
1 3/16 - 1 1/4R	BEV**, CR	1 9/16	6 1/2	4 7/16	5 1/16	3 1/4	1/2
1 1/4 - 1 7/16	BEV**, CR	1 13/16	6 9/16	4 11/16	5 5/16	3 11/16	1/2
1 1/2	BEV**, CR	1 15/16	7 1/4	4 7/8	5 7/8	3 15/16	1/2
1 11/16	BEV**, CR	2 1/16	7 1/2	5 7/16	6 1/16	4 3/16	1/2
1 15/16	BEV**, CR	2 3/16	8 1/8	6	6 1/2	4 1/2	5/8
2 3/16	BEV**, CR	2 7/16	8 5/8	6 1/2	7	4 15/16	5/8
2 7/16	BEV**, CR	2 11/16	9 1/2	6 7/8	7 5/8	5 1/2	5/8

Tapped Base Pillow Blocks... BTB, TB-C CR

BORE	AVAILABILITY	A	B	C	H	THREAD SIZE
3/4	BEV**, CR	1 5/16	3 1/8	2	2 9/16	3/8-16UNC
1	BEV**, CR	1 7/16	3	2	2 13/16	3/8-16UNC
1 3/16 - 1 1/4R	BEV**, CR	1 11/16	4	3	3 13/32	7/16-14UNC
1 1/4 - 1 7/16	BEV**, CR	1 7/8	4 1/4	3 1/4	3 3/4	1/2-13UNC
1 1/2	BEV**, CR	1 15/16	4 5/8	3 1/2	3 15/16	1/2-13UNC
1 11/16	BEV**, CR	2 1/8	5	3 3/4	4 1/4	1/2-13UNC
1 15/16	BEV**, CR	2 1/4	5 1/2	4	4 9/16	5/8-11UNC



** No End Caps Available

DIFFERENT..BY DESIGN!

**NOW AVAILABLE
TAKE-UP UNITS
FOR BEVERAGE & CR DUTY**

Specifying Product

Each featured product has unique nomenclature to specify housing and size.

Nomenclature is formatted as follows:

Type Of Bearing	Housing	Bore Size
BEVERAGE BEARINGS	BP	12 = 3/4"
	BPL	16 = 1"
	BTB	19 = 1 3/16"
	BF	20R = 1 1/4R"
	BFT	20 = 1 1/4"
	BFB	23 = 1 7/16"
CR DUTY* BEARINGS	NP	24 = 1 1/2"
	NPL	27 = 1 11/16"
	TB	28 = 1 3/4"
	SF	31 = 1 15/16"
	SFT	35 = 2 3/16"
	FB	39 = 2 7/16"
FURNACE BEARINGS	HF	
	HFT	

All Beverage Bearings...

Begin With The Letter "B"...

BP-23 BPL-28
BTB-20R BF-12
BFT-23 BFB-27

CR Duty Bearings...

Must add "C CR" to all CR Duty Bearings...

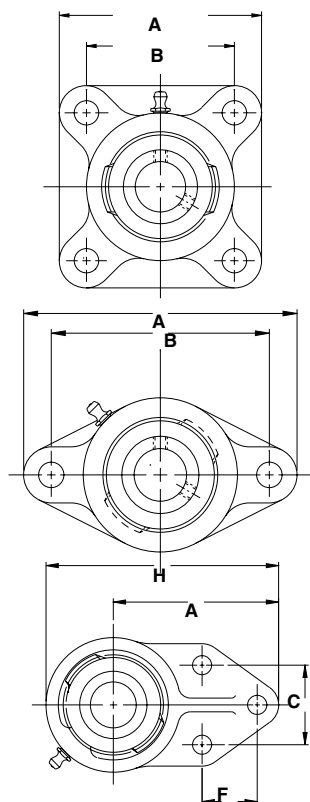
NP-16C CR
SF-28C CR
FB-39C CR

All Furnace Bearings

Begin With The Letter "H"...

HF-23 HFT-24

For more Dimensions... Use Standard Duty Gold Line Dimension Tables



Four Bolt Flanges... BF, SF-C CR, HF

BORE	AVAILABILITY	A	B	BOLT SIZE
3/4	BEV**, CR	3 3/8	2 1/2	3/8
1	BEV, CR	3 3/4	2 3/4	3/8
1 3/16 - 1 1/4R	BEV, CR	4 1/4	3 1/4	3/8
1 1/4 - 1 7/16	BEV, CR, HF-23	4 5/8	3 5/8	1/2
1 1/2	BEV, CR, HF-24	5 1/8	4	1/2
1 11/16 - 1 3/4	BEV, CR, HF-28	5 3/8	4 1/8	1/2
1 15/16	BEV, CR	5 5/8	4 3/8	9/16
2 3/16	BEV, CR	6 3/8	5 1/8	5/8
2 7/16	BEV**, CR	6 7/8	5 5/8	5/8

Two Bolt Flanges... BFT, SFT-C CR, HFT

BORE	AVAILABILITY	A	B	BOLT SIZE
3/4	BEV**, CR	4 13/32	3 17/32	3/8
1	BEV, CR, HFT-16	4 7/8	3 57/64	3/8
1 3/16 - 1 1/4R	BEV, CR, HFT-19, HFT-20R	5 9/16	4 19/32	3/8
1 1/4 - 1 7/16	BEV, CR, HFT-23	6 1/8	5 1/8	1/2
1 1/2	BEV, CR, HFT-24	6 3/4	5 21/32	1/2
1 11/16	BEV, CR	7 1/16	5 27/32	1/2
1 15/16	BEV, CR	7 7/16	6 3/16	9/16
2 3/16	BEV, CR	8 1/2	7 1/4	5/8

Three Bolt Flange Brackets... BFB, FB-C CR

BORE	AVAILABILITY	A	C	F	H	BOLT SIZE
3/4	BEV**, CR	3	1 1/2	7/8	4 1/4	3/8
1	BEV**, CR	3 3/8	1 5/8	1 1/8	4 3/4	3/8
1 3/16 - 1 1/4R	BEV**, CR	3 3/4	1 7/8	1 1/4	5 3/8	3/8
1 1/4 - 1 7/16	BEV**, CR	4 1/4	2	1 1/4	6 1/8	1/2
1 15/16	BEV**, CR	5 3/16	2 3/4	1 5/8	7 1/2	1/2

** No End Caps Available